

33.8	31.05	29	52852-3010	30
32.8	30.05	28	-2910	29
31.8	29.05	27	-2810	28
30.8	28.05	26	-2710	27
29.8	27.05	25	-2610	26
28.8	26.05	24	-2510	25
27.8	25.05	23	-2410	24
26.8	24.05	22	-2310	23
25.8	23.05	21	-2210	22
24.8	22.05	20	-2110	21
23.8	21.05	19	-2010	20
22.8	20.05	18	-1910	19
21.8	19.05	17	-1810	18
20.8	18.05	16	-1710	17
19.8	17.05	15	-1610	16
18.8	16.05	14	-1510	15
17.8	15.05	13	-1410	14
16.8	14.05	12	-1310	13
15.8	13.05	11	-1210	12
14.8	12.05	10	-1110	11
13.8	11.05	9	-1010	10
12.8	10.05	8	-0910	9
11.8	9.05	7	-0810	8
10.8	8.05	6	-0710	7
9.8	7.05	5	-0610	6
8.8	6.05	4	-0510	5
7.8	5.05	3	52852-0410	4
C	B	A	ENG. NO	極数 (CIRCUIT)

注記 NOTES:

1. 使用材料 MATERIAL
 ハウジング : PPS, UL94V-0
 ターミナル : リン青銅 (t=0.25)
 メッキ : 銅下地半田メッキ
 金具 : リン青銅 (t=0.25)
 メッキ : 銅下地半田メッキ
 HOUSING : PPS, UL94V-0
 TERMINAL : PHOSPHOR BRONZE
 PLATING : Sn-Pb OVER Cu
 FITTING NAIL : PHOSPHOR BRONZE
 PLATING : Sn-Pb OVER Cu
2. 基準面 [E] からのソルダータールとフィッティングネイルの半田付け面のズレ量は、上方向に0.1MAX.、下方向0.15MAX.とする。
 MISALIGNMENT OF SOLDER TAIL AND FITTING NAIL FROM [E] : UPPER DIRECTION 0.1 MAX. , LOWER DIRECTION 0.15 MAX.
3. 偶数極に適用。
 APPLY FOR EVEN CKT.

材料 MATERIAL	注記参照 SEE NOTES
仕上げ FINISH	---
適用電線範囲 WIRE RANGE	---
被覆外径 INS. RANGE	---
DRAWN BY '94/10/17 T.NIITSU	CHK'D BY '01/06/28 S.KUNISHI
APP'D BY '01/06/28 T.YAMAGUCHI	尺度 SCALE 10 : 1

MOLEX-JAPAN CO.,LTD.
 日本モレックス株式会社

REVISE ONLY ON CAD SYSTEM

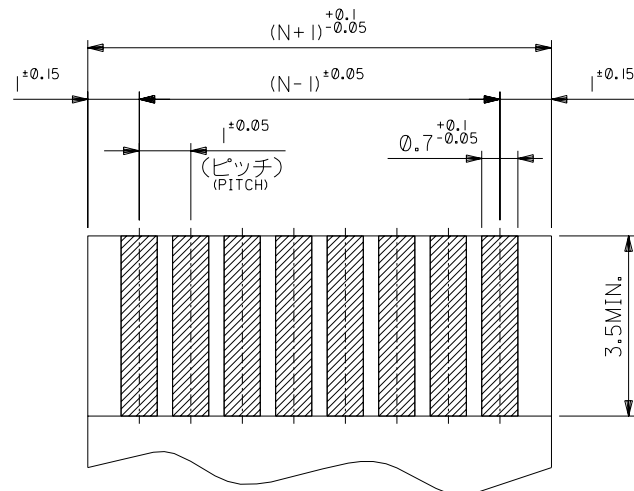
TITLE 名称
 1.0 FFC Conn
 NON ZIF SMT RA
 (BOTTOM CONTACT)

DWG. NO. (SHEET 1 OF 2) REV D
 SD-52852-**-10

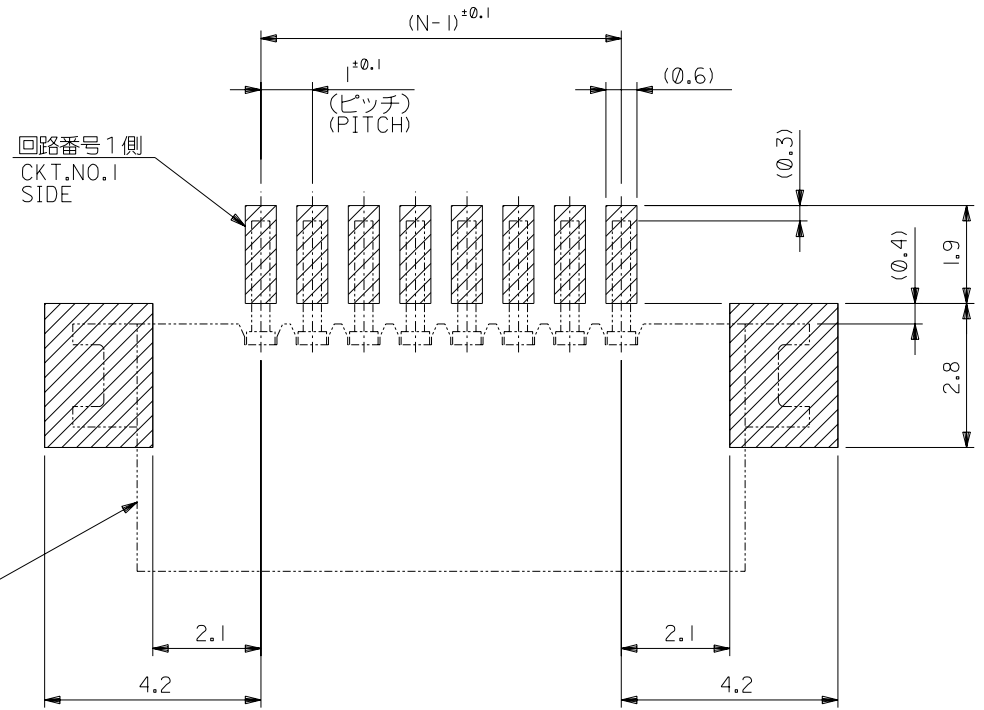
角度 ANGLE	±3°
30°以上 OVER	+0.3
10°以上 30°未滿 UNDER	+0.25
未滿 10° UNDER	+0.2
一般公差 GENERAL TOLERANCES	

記号 LTR	変更内容 REVISION RECORD	日付 DATE
--------	----------------------	---------

DR. CHK.	日付 DATE
----------	---------



(仕上がり)厚さ0.3^{+0.03}
THICKNESS
適合FPC/FFC推奨寸法
APPLICABLE FPC/FFC
RECOMMENDED DIMENSION.



コネクタ位置
CONNECTOR
POSITION

参考基板レイアウト (マウント面)
RECOMMENDED P.C.BOARD
PATTERN DIMENSION. (REF.)
(MOUNTING AREA)

		材料 MATERIAL		— // —	
		仕上げ FINISH		— // —	
		適用電線範囲 WIRE RANGE		— // —	
		被覆外径 INS. RANGE		— // —	
DRAWN BY '94/10/17		CHK'D BY '01/06/28		T.NIITSU S.KUNISHI	
APP'D BY '01/06/28		尺 度 SCALE		10 : 1	
T.YAMAGUCHI		DR. CHK.		日付 DATE	

角度 ANGLE	±3°
30以上 OVER	+0.3
10以上 30 UNDER	+0.25
未満 UNDER	+0.2
一般公差 GENERAL TOLERANCES	

記号 LTR	変更内容 REVISION RECORD	DR. CHK.	日付 DATE
D	変更 (J2003-0381)	Y.H.	02/08/07
C	変更 (JC2001-1025)	P.S.	10/06/28
B	変更 (JC80048)	T.N.	11/17/15
A	変更 (J40945)	T.N.	11/17/94
0	新規作成 (J40841)	T.N.	10/17/94

MOLEX-JAPAN CO.,LTD.
日本モレックス株式会社

REVISE ONLY ON CAD SYSTEM

TITLE 名称
I.O FFC Conn
NON ZIF SMT RA
(BOTTOM CONTACT)

DWG. NO. (SHEET 2 OF 2) REV
SD-52852-**-10 D

DWG. NO. SD-52852-***90

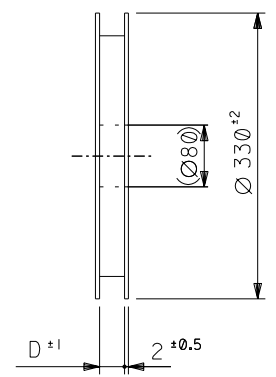
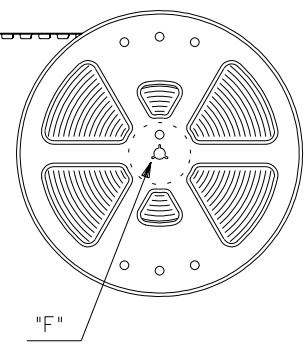
ALL DIMENSIONS IN METRIC DO NOT SCALE DRAWING

8 7 6 5 4 3 2 1

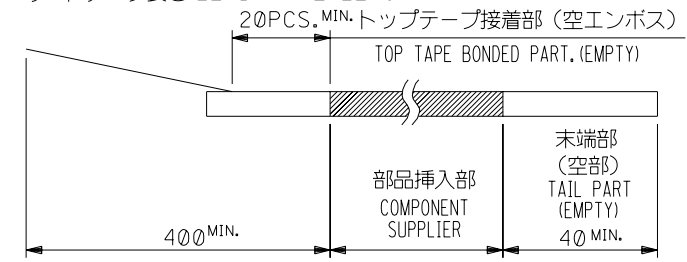
NOTES

- 製品詳細寸法については図面 SD-52852-***10 を参照下さい。
RE DETAILED DIMENSION, SEE SD-52852-***10
- 梱包数量：1000個/リール
NUMBER OF CONNECTORS：1000PCS/REEL
- リードテープ長さ LEAD TAPE LENGTH

引き出し方向
PULL OUT DIRECTION

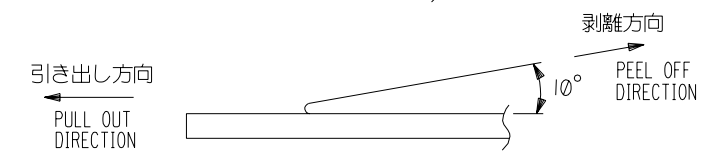


引き出し方向
PULL OUT DIRECTION

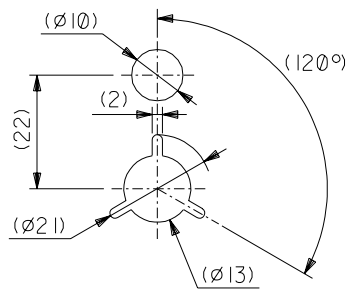


- トップテープの剥離強度：0.1N ~ 0.7N(10.2gf ~ 71.4gf)
(剥離方向は下図参照)

尚、本規格値は出荷時に適用。(但し、輸送時に剥離が発生しないこと。)
PEELING OFF FORCE OF TOP TAPE：0.1N ~ 0.7N(10.2gf ~ 71.4gf)
(PEELING DIRECTION AS SHOWN IN FOLLOWING FIG.)
THIS REQUIREMENT SHOULD BE APPLIED AT SHIPMENT.
PEEL OFF SHOULD NOT BE ALLOWED, DURING TRANSPORTATION.



- 材料(MATERIAL)
キャリアテープ(CARRIER TAPE)：ポリプロピレン(POLYPROPYLENE)
トップテープ(TOPTAPE)：PET, PE, PEF
リール(REEL)：ポリスチレン(P.S) <リサイクル材を含む>
POLYSTYREN(PS) <RECYCLE MATERIAL CONTAINED>



DETAIL "F"

				材料 MATERIAL		注記参照 SEE NOTES		molex MOLEX-JAPAN CO.,LTD. 日本モレックス株式会社	
				仕上げ FINISH		—#—		REVISE ONLY ON CAD SYSTEM	
				適用電線範囲 WIRE RANGE		—#—		TITLE 名称	
				被覆外径 INS. RANGE		—#—		1.0 FFC Conn Assy	
				DRAWN BY '94/10/17 T.NIITSU		CHK'D BY '01/06/28 S.KUNISHI		NON ZIF SMT RA	
				DR. H.H 02/08/08		DATE		Bottom Contact Embstp Pkg	
角度 ANGLE		±3°		記号 LTR		変更内容 REVISION RECORD		DWG. NO. (SHEET 1 OF 5) REV	
30 以上 OVER		+0.3		H		REVISD (J2003-0418)		SD-52852-***90 H	
10 以上 OVER 30 UNDER		+0.25							
10 未満 UNDER		+0.2							
一般公差 GENERAL TOLERANCES				DR. CHK.		DATE		SCALE	
				DR. CHK.		DATE		SCALE	

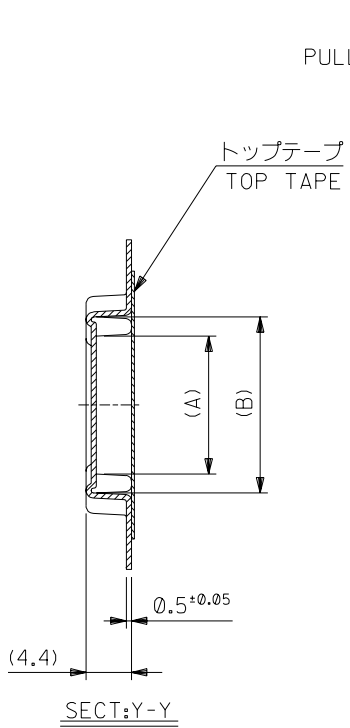
THIS DRAWING CONTAINS INFORMATION THAT IS PROPRIETARY TO MOLEX(JAPAN) AND SHOULD NOT BE USED WITHOUT WRITTEN PERMISSION
本図面は日本モレックス(株)の所有する情報を含むもので、当社の許可なく複製を禁止する。 EN-01C(032)MXJ-32

8 7 6 5 4 3 2 1

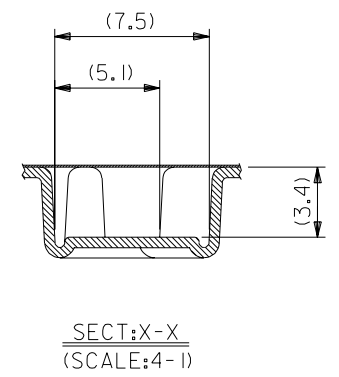
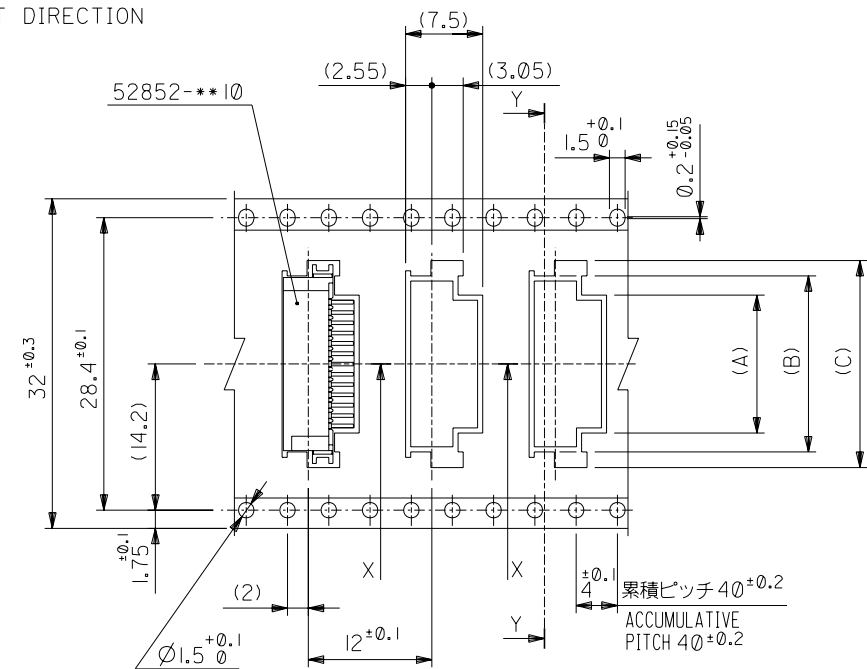
5949976.S31

DWG. NO. SD-52852-***90

ALL DIMENSIONS IN METRIC DO NOT SCALE DRAWING



引き出し方向
PULL OUT DIRECTION



32mm幅キャリアテープ
32mm WIDTH CARRIER TAPE

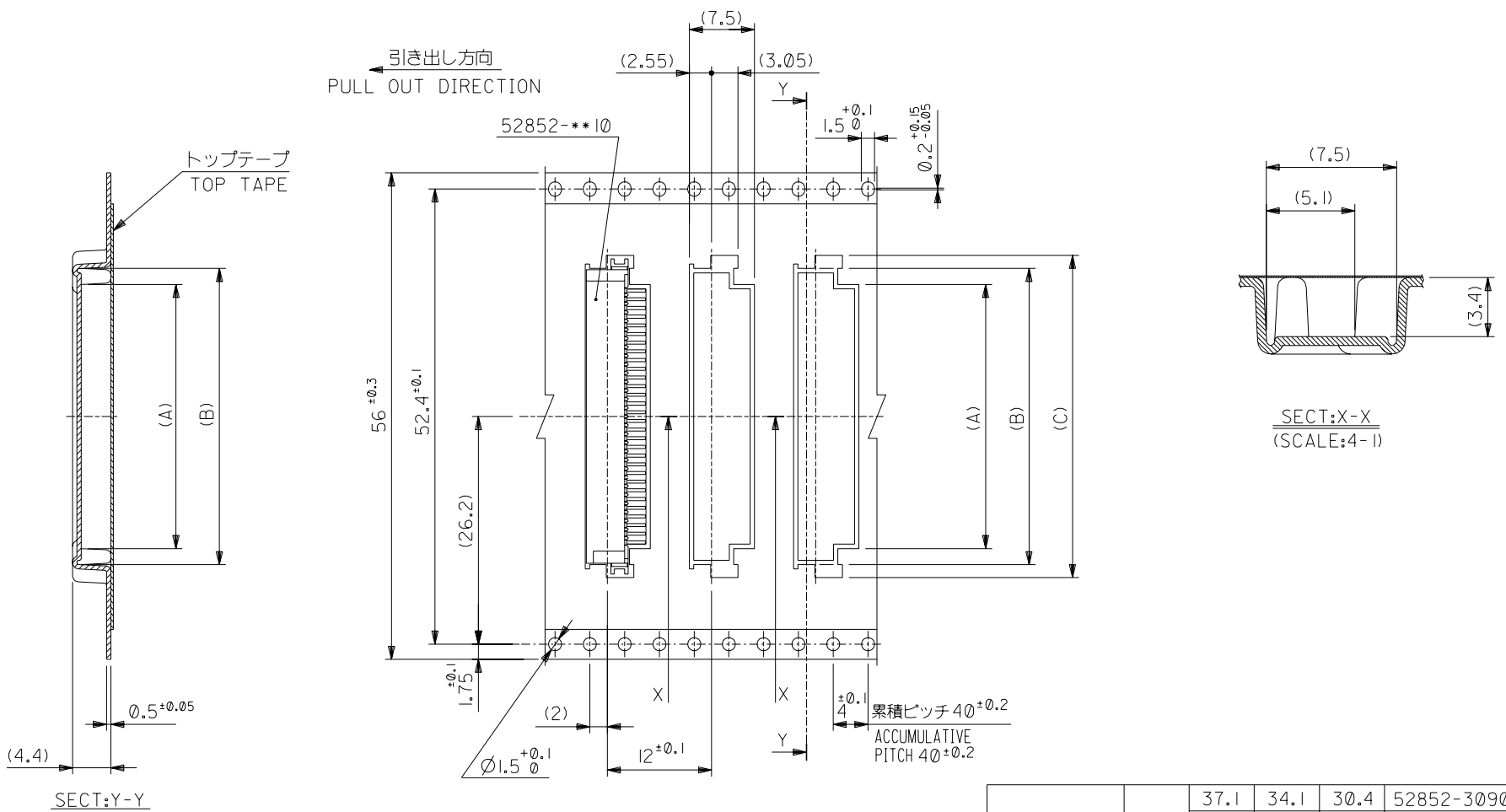
32	33.5	23.1	20.1	16.4	52852-1690	16	
		22.1	19.1	15.4	52852-1590	15	
		21.1	18.1	14.4	52852-1490	14	
		20.1	17.1	13.4	52852-1390	13	
		19.1	16.1	12.4	52852-1290	12	
キャリアテープ幅 CARRIER TAPE WIDTH		D	(C)	(B)	(A)	ENG.NO.	種数 CKT.

角度 ANGLE		±3°						材料 MATERIAL	SHEET 1 OF 5 参照 REFER TO SHEET 1 OF 5	
30以上 OVER		±0.5						仕上げ FINISH	—#—	
10以上 OVER	30未満 UNDER	±0.25						適用電線範囲 WIRE RANGE	—#—	
10未満 UNDER		±0.2						被覆外径 INS. RANGE	—#—	
一般公差 GENERAL TOLERANCES			H	変更内容 REVISION RECORD	(J2003-0418)	K.S. H.H.	02/08/08	DRAWN BY '94/10/17 T.NIITSU	CHK'D BY '01/06/28 S.KUNISHI	
記号 LTR	変更内容 REVISION RECORD			DR. CHK.		日付 DATE		APP'D BY '01/06/28 T.YAMAGUCHI	尺度 SCALE	—#—

MATERIAL SHEET 1 OF 5 参照 REFER TO SHEET 1 OF 5		molex MOLEX-JAPAN CO.,LTD. 日本モレックス株式会社	
仕上げ FINISH		REVISE ONLY ON CAD SYSTEM	
適用電線範囲 WIRE RANGE		TITLE 名称	
被覆外径 INS. RANGE		I.0 FFC Conn Assy NON ZIF SMT RA Bottom Contact Embstp Pkg	
DRAWN BY '94/10/17 T.NIITSU	CHK'D BY '01/06/28 S.KUNISHI	DWG. NO.	(SHEET 3 OF 5) REV
APP'D BY '01/06/28 T.YAMAGUCHI	尺度 SCALE	SD-52852-***90	H

DWG. NO. SD-52852-***90

ALL DIMENSIONS IN METRIC DO NOT SCALE DRAWING



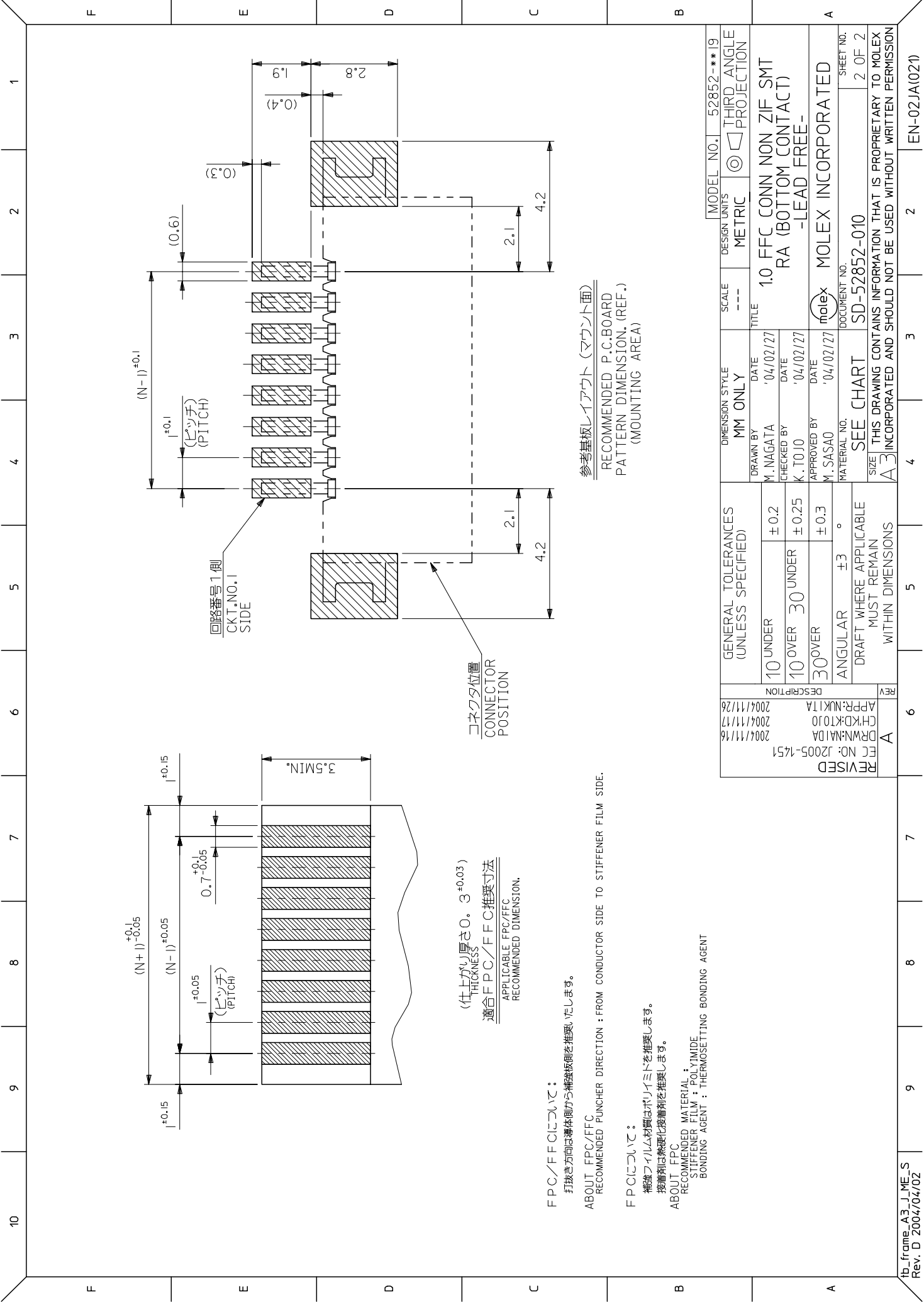
56mm幅キャリアテープ
56mm WIDTH CARRIER TAPE

56	57.5	37.1	34.1	30.4	52852-3090	30
		36.1	33.1	29.4	52852-2990	29
		35.1	32.1	28.4	52852-2890	28
キャリアテープ幅 CARRIER TAPE WIDTH		D	(C)	(B)	(A)	ENG.NO.
						極数 CKT.

角度 ANGLE		±3°				材料 MATERIAL	SHEET 1 OF 5 参照 REFER TO SHEET 1 OF 5
30以上 OVER		+0.5				仕上げ FINISH	—#—
10以上 OVER	30未満 UNDER	+0.25				適用電線範囲 WIRE RANGE	—#—
10未満 UNDER		+0.2				被覆外径 INS. RANGE	—#—
一般公差 GENERAL TOLERANCES	記号 LTR		H	変更内容 REVISION RECORD	(J2003-0418)	DR. CHK.	02/08/08
						日付 DATE	01/06/28
						APP'D BY	T.YAMAGUCHI
						尺度 SCALE	—#—
						CHK'D BY	S.KUNISHI

MOLEX-JAPAN CO.,LTD. 日本モレックス株式会社	
REVISE ONLY ON CAD SYSTEM	
TITLE 名称 I/O FFC Conn Assy NON ZIF SMT RA Bottom Contact Embstp Pkg	
DWG. NO.	(SHEET 5 OF 5) REV
SD-52852-***90	H

5949976.S35



(N+1)±0.1

±0.1
(ピッチ)
(PITCH)

回路番号1側
CKT.NO.1
SIDE

(仕上がり厚さ) 0.3 ±0.03
THICKNESS
適合FPC/FCC推奨寸法
APPLICABLE FPC/FCC
RECOMMENDED DIMENSION.

FPC/FCCについて:
打抜き方向は導体側から補強板側を推奨いたします。
ABOUT FPC/FCC
RECOMMENDED PUNCHER DIRECTION : FROM CONDUCTOR SIDE TO STIFFENER FILM SIDE.

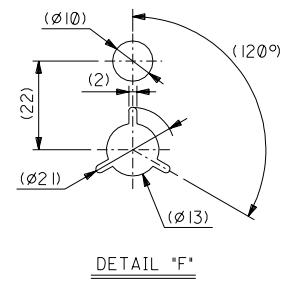
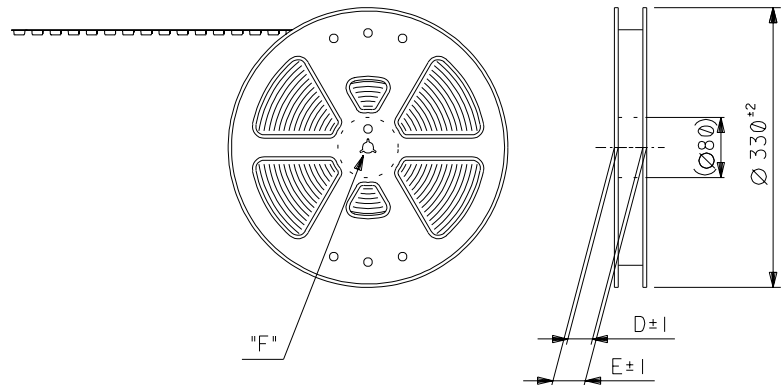
FPCについて:
補強フィルム材質はポリイミドを推奨します。
接着力は熱硬化接着剤を推奨します。
ABOUT FPC
RECOMMENDED MATERIAL :
STIFFENER FILM : POLYIMIDE
BONDING AGENT : THERMOSETTING BONDING AGENT

参考基板レイアウト (マウント面)
RECOMMENDED P.C.BOARD
PATTERN DIMENSION. (REF.)
(MOUNTING AREA)

MODEL NO. 52852-**19		DESIGN UNITS METRIC		THIRD ANGLE PROJECTION	
SCALE ---		DIMENSION STYLE MM ONLY		TITLE	
DRAWN BY M. NAGATA		DATE '04/02/27		1.0 FFC CONN NON ZIF SMT RA (BOTTOM CONTACT) -LEAD FREE-	
CHECKED BY K. TOJO		DATE '04/02/27		MOLEX INCORPORATED	
APPROVED BY M. SASAO		DATE '04/02/27		DOCUMENT NO. SD-52852-010	
MATERIAL NO.		SEE CHART		SHEET NO. 2 OF 2	
GENERAL TOLERANCES (UNLESS SPECIFIED)		10 UNDER ±0.2		THIS DRAWING CONTAINS INFORMATION THAT IS PROPRIETARY TO MOLEX INCORPORATED AND SHOULD NOT BE USED WITHOUT WRITTEN PERMISSION	
30 OVER ±0.3		30 OVER ±0.3		A3 INCORPORATED AND SHOULD NOT BE USED WITHOUT WRITTEN PERMISSION	
ANGULAR ±3°		ANGULAR ±3°		A3 INCORPORATED AND SHOULD NOT BE USED WITHOUT WRITTEN PERMISSION	
DRAFT WHERE APPLICABLE MUST REMAIN WITHIN DIMENSIONS		DRAFT WHERE APPLICABLE MUST REMAIN WITHIN DIMENSIONS		A3 INCORPORATED AND SHOULD NOT BE USED WITHOUT WRITTEN PERMISSION	
DESCRIPTION		REV		REV	
APR:NUK1TA 2004/11/26		A		A	
CHKD:KTOJO 2004/11/17		A		A	
DRWN:NAIDA 2004/11/16		A		A	
EC NO: J2005-1451		A		A	
REVISED		A		A	

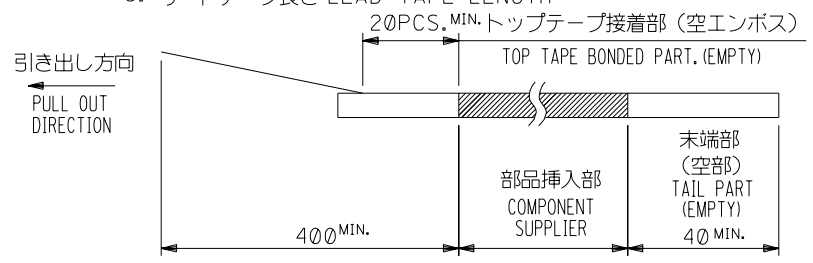
DWG. NO. SD-52852-011

引き出し方向
PULL OUT DIRECTION

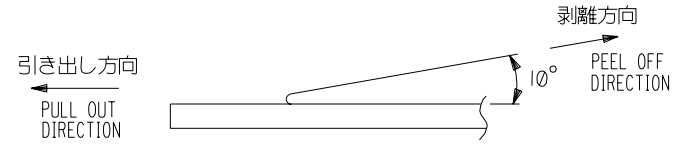


NOTES

- 製品詳細寸法については図面 SD-52852-010 を参照下さい。
RE DETAILED DIMENSION, SEE SD-52852-010
- 梱包数量：1000個/リール
NUMBER OF CONNECTORS：1000PCS/REEL
- リードテープ長さ LEAD TAPE LENGTH



- トップテープの剥離強度：0.1~1.3N(10~130gf)
(剥離方向は下図参照)
尚、本規格値は出荷時に適用。(但し、輸送時に剥離が発生しないこと。)
PEELING OFF FORCE OF TOP TAPE：0.1~1.3N(10~130gf)
(PEELING DIRECTION AS SHOWN IN FOLLOWING FIG.)
THIS REQUIREMENT SHOULD BE APPLIED AT SHIPMENT.
PEEL OFF SHOULD NOT BE ALLOWED, DURING TRANSPORTATION.



- 材料(MATERIAL)
キャリアテープ(CARRIER TAPE)：ポリプロピレン(POLYPROPYLENE)
トップテープ(TOPTAPE)：PET, PE, PEF
リール(REEL)：ポリスチレン(PS) <リサイクル材を含む>
POLYSTYREN(PS) <RECYCLE MATERIAL CONTAINED>
- 本製品は 52852-**-90 の鉛フリー品である。
THIS PRODUCT IS LEAD FREE OF 52852-**-90

DO NOT SCALE DRAWING

64 NO. DRWN: CH'K: APPR: 63 NO. DRWN: CH'K: APPR: 62 NO. DRWN: CH'K: APPR: 61 NO. DRWN: CH'K: APPR:		RELEASED '04/02/27 60 NO. J2004-2724 DRWN: M.NAGATA CH'K: K.TOJO APPR: M.SASAO	MATERIAL 材料 注記参照 SEE NOTES	GENERAL TOLERANCES: (UNLESS SPECIFIED) 一般公差	SCALE #	MODEL NO. 52852-**-70 DESIGN UNITS <input checked="" type="checkbox"/> mm <input type="checkbox"/> INCH <input type="checkbox"/> mm <input type="checkbox"/> INCH	DIMENSIONS: <input type="checkbox"/> mm <input type="checkbox"/> INCH <input checked="" type="checkbox"/> mm <input type="checkbox"/> INCH ONLY	SHT 1 OF 5 REV B
WIRE RANGE 適用電線範囲 # ANGLE 角度 ±3°			FINISH 仕上げ #	INS. RANGE 被覆外径 #	DRAWN BY & DATE M.NAGATA '04/02/27 CHECKED BY & DATE K.TOJO '04/02/27 APPROVED BY & DATE M.SASAO '04/02/27 CAD FILENAME SD-52852-011.S01	TITLE: 1.0 FFC Conn Assy NON ZIF SMT RA Bottom Contact Embstp Pkg -LEAD FREE- MOLEX MOLEX INCORPORATED	MATERIAL NO. SEE CHART DRAWING NO. SD-52852-011	SHEET NO. 1 OF 5 SIZE B

DWG. NO. SD-52852-011

F

D

V

C

B

DO NOT SCALE DRAWING

8 7 6 5 4 3 2 1

F

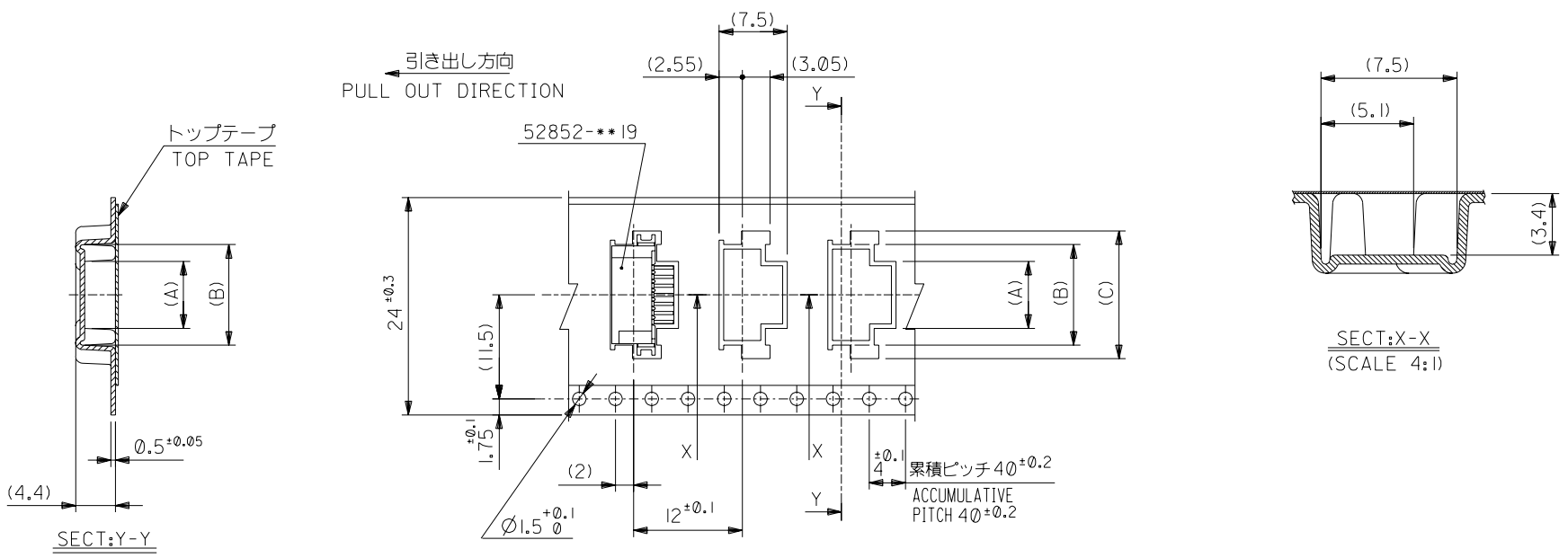
E

D

C

B

A



24mm幅キャリアテープ
24mm WIDTH CARRIER TAPE

24	29.4	25.4	18.1	15.1	11.4	52852-1170	11
			17.1	14.1	10.4	52852-1070	10
			16.1	13.1	9.4	52852-0970	9
			15.1	12.1	8.4	52852-0870	8
			14.1	11.1	7.4	52852-0770	7
			13.1	10.1	6.4	52852-0670	6
			12.1	9.1	5.4	52852-0570	5
11.1	8.1	4.4	52852-0470	4			
キャリアテープ幅 CARRIER TAPE WIDTH	E	D	(C)	(B)	(A)	MATERIAL NO.	極数 CKT.

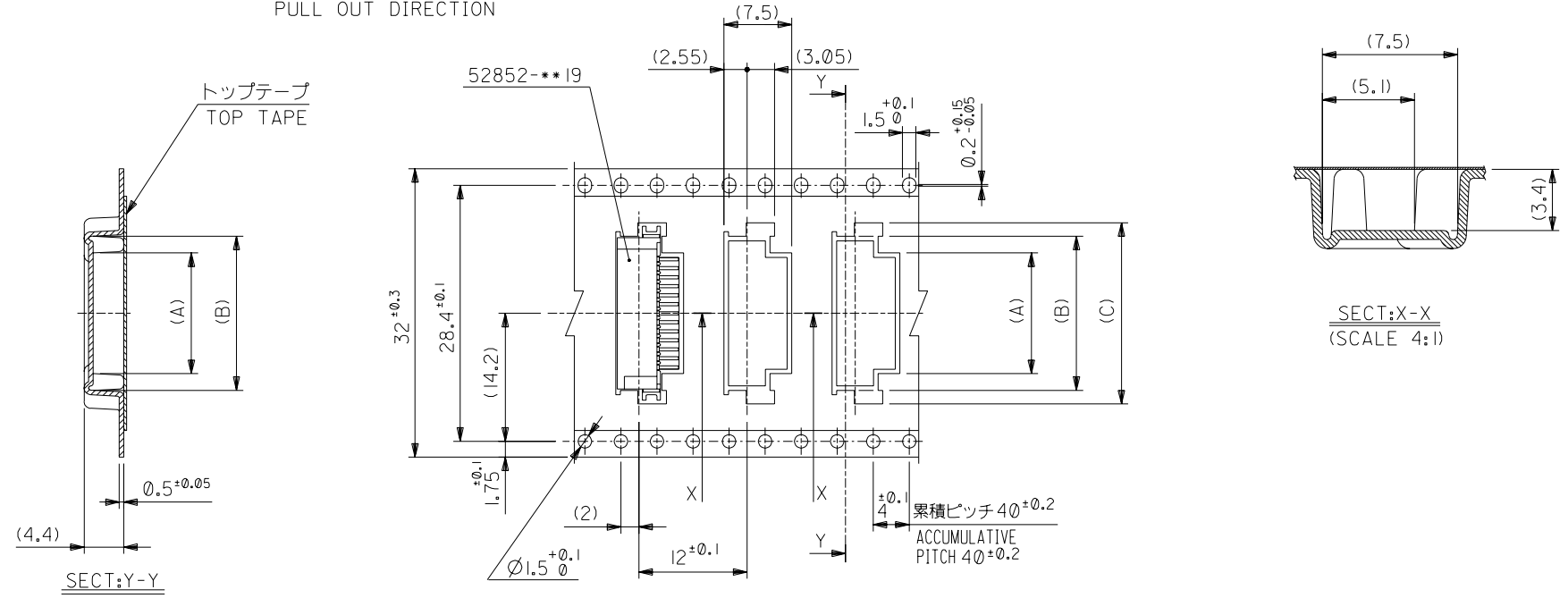
64NO. DRAWN: CHK: APPR:	63NO. DRAWN: CHK: APPR:	62NO. DRAWN: CHK: APPR:	61NO. DRAWN: CHK: APPR:	RELEASED '04/02/27 60NO. J2004-2724 DRAWN: M.NAGATA CHK: K.TOJO APPR: M.SASAO	MATERIAL 材料 SHEET 1 OF 5 参照 REFER TO SHEET 1 OF 5 FINISH 仕上げ WIRE RANGE 適用電線範囲 INS. RANGE 被覆外径 #	GENERAL TOLERANCES: (UNLESS SPECIFIED) 一般公差 10 UNDER 未満 ±0.2 10 OVER 以上 30 UNDER 未満 ±0.25 30 OVER 以上 ±0.3 ANGLE 角度 ±3°	SCALE # DESIGN UNITS <input checked="" type="checkbox"/> mm <input type="checkbox"/> INCH DRAWN BY & DATE M.NAGATA '04/02/27 CHECKED BY & DATE K.TOJO '04/02/27 APPROVED BY & DATE M.SASAO '04/02/27 CAD FILENAME SD-52852-011.S02	MODEL NO. 52852-***70 DIMENSIONS: <input type="checkbox"/> mm <input type="checkbox"/> INCH <input checked="" type="checkbox"/> mm ONLY SHT REV TITLE: 1.0 FFC Conn Assy NON ZIF SMT RA Bottom Contact Embstp Pkg -LEAD FREE- MOLEX MOLEX INCORPORATED MATERIAL NO. SEE CHART DRAWING NO. SD-52852-011 SHEET NO. 2 OF 5	INCORPORATED AND SHOULD NOT BE USED WITHOUT WRITTEN PERMISSION. SIZE B
----------------------------------	----------------------------------	----------------------------------	----------------------------------	---	--	--	---	--	--

8 7 6 5 4 3 2 1 EN-02J(097) MXJ-54

SD-52852-011.S02

8 7 6 5 4 3 2 1

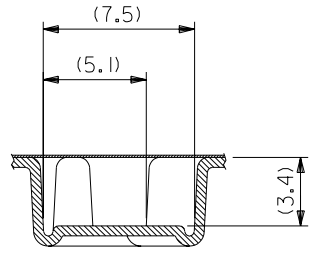
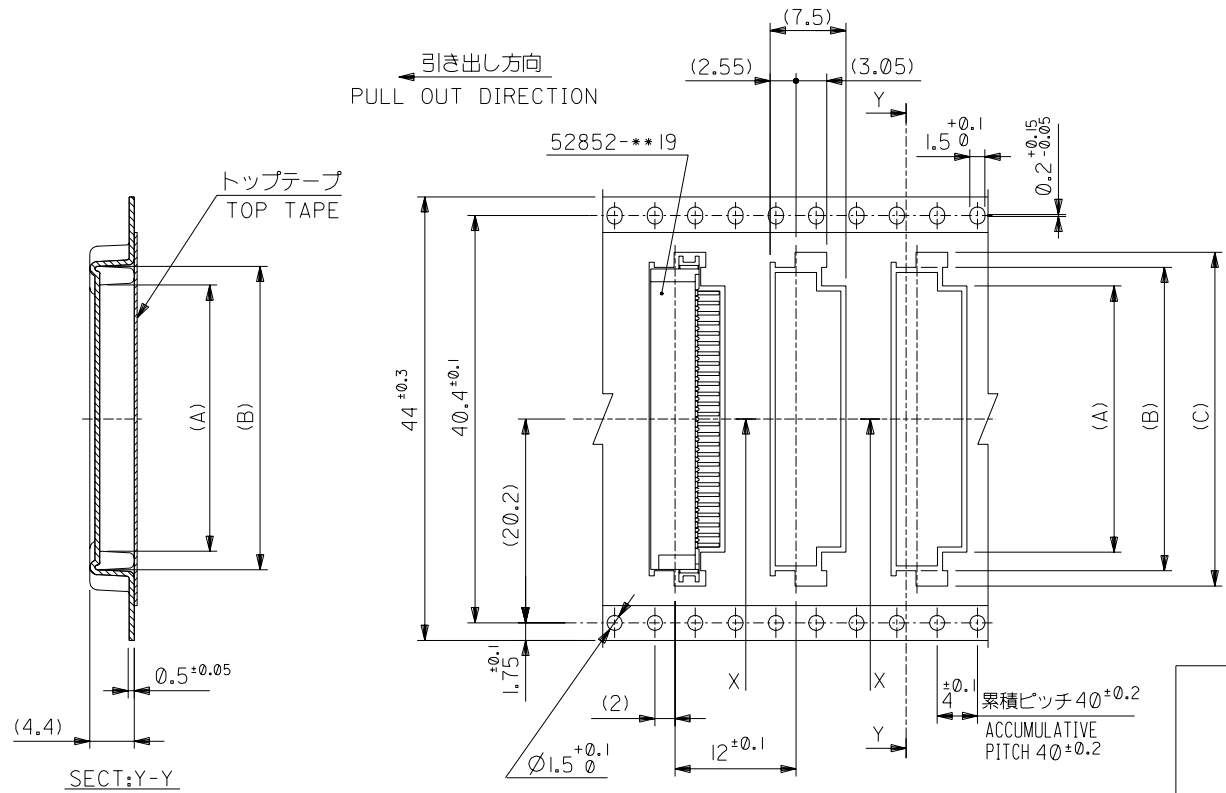
引き出し方向
PULL OUT DIRECTION



32mm幅キャリアテープ
32mm WIDTH CARRIER TAPE

32	37.5	33.5	23.1	20.1	16.4	52852-1670	16
			22.1	19.1	15.4	52852-1570	15
			21.1	18.1	14.4	52852-1470	14
			20.1	17.1	13.4	52852-1370	13
			19.1	16.1	12.4	52852-1270	12
キャリアテープ幅 CARRIER TAPE WIDTH	E	D	(C)	(B)	(A)	MATERIAL NO.	極数 CKT.

64 NO. DRAWN: CH'K: APPR:	63 NO. DRAWN: CH'K: APPR:	62 NO. DRAWN: CH'K: APPR:	61 NO. DRAWN: CH'K: APPR:	RELEASED '04/02/27 60 NO. J2004-2724 DRAWN: M.NAGATA CH'K: K.TOJO APPR: M.SASAO	MATERIAL 材料 SHEET 1 OF 5 参照 REFER TO SHEET 1 OF 5	GENERAL TOLERANCES: (UNLESS SPECIFIED) 一般公差 10 UNDER 未滿 ±0.2 10 OVER 以上 30 UNDER 未滿 ±0.25 30 OVER 以上 ±0.3 ANGLE 角度 ±3°	SCALE —# DESIGN UNITS <input checked="" type="checkbox"/> mm <input type="checkbox"/> INCH DRAWN BY & DATE M.NAGATA '04/02/27 CHECKED BY & DATE K.TOJO '04/02/27 APPROVED BY & DATE M.SASAO '04/02/27 CAD FILENAME SD-52852-011.S03	MODEL NO. 52852-**70 DIMENSIONS: <input checked="" type="checkbox"/> mm <input type="checkbox"/> INCH <input type="checkbox"/> mm <input type="checkbox"/> INCH <input checked="" type="checkbox"/> mm ONLY SHT REV BEVISE ON CAD ONLY	TITLE: 1.0 FFC Conn Assy NON ZIF SMT RA Bottom Contact Embstp Pkg -LEAD FREE- MOLEX MOLEX INCORPORATED	MATERIAL NO. SEE CHART DRAWING NO. SD-52852-011 SHEET NO. 3 OF 5	
WIRE RANGE 適用電線範囲 —#—#						INS. RANGE 被覆外径 —#—#					



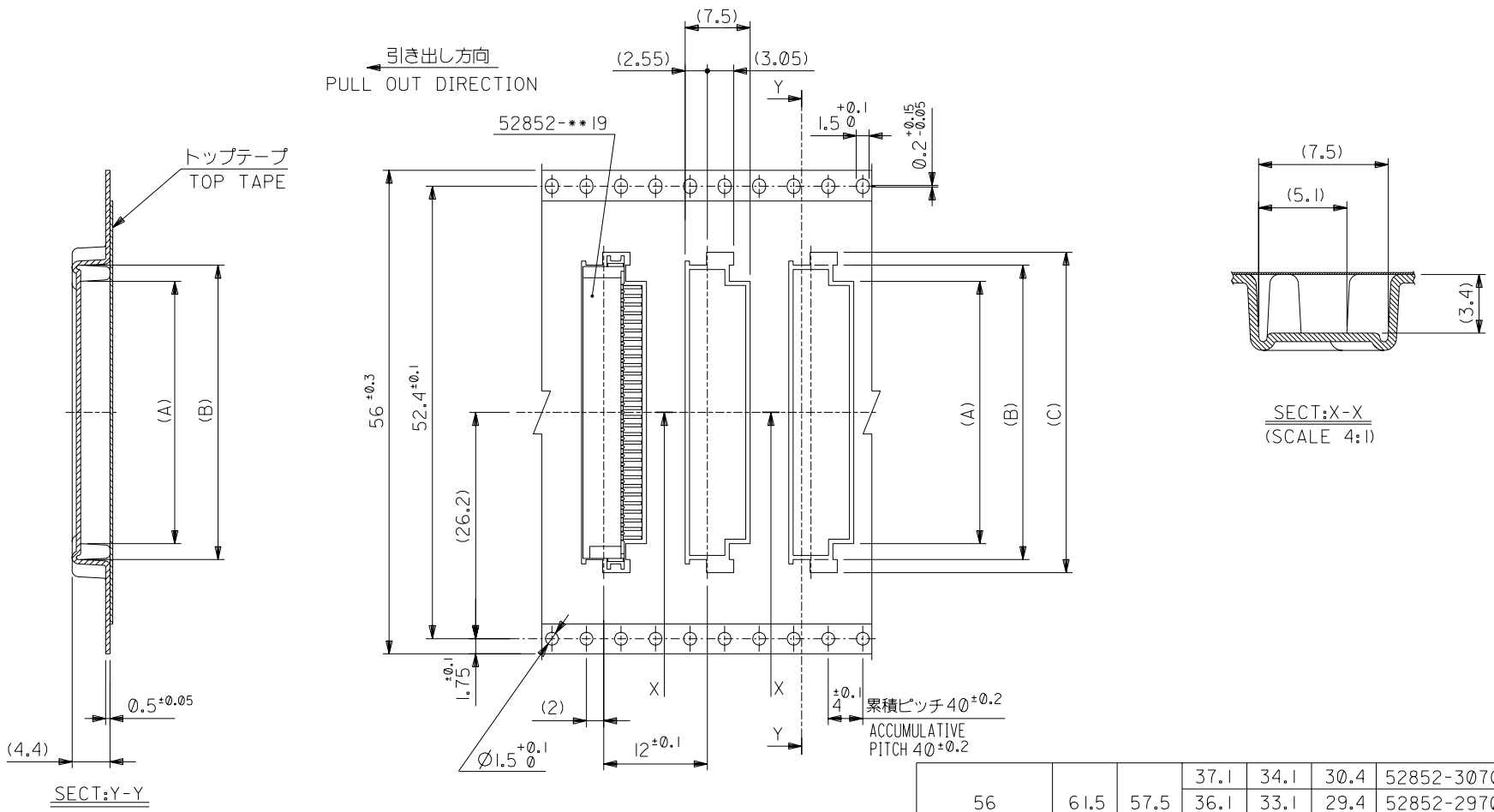
SECT:X-X
(SCALE 4:1)

44mm幅キャリアテープ
44mm WIDTH CARRIER TAPE

44	49.5	45.5	34.1	31.1	27.4	52852-2770	27
			33.1	30.1	26.4	52852-2670	26
			32.1	29.1	25.4	52852-2570	25
			31.1	28.1	24.4	52852-2470	24
			30.1	27.1	23.4	52852-2370	23
			29.1	26.1	22.4	52852-2270	22
			28.1	25.1	21.4	52852-2170	21
			27.1	24.1	20.4	52852-2070	20
			26.1	23.1	19.4	52852-1970	19
			25.1	22.1	18.4	52852-1870	18
24.1	21.1	17.4	52852-1770	17			
キャリアテープ幅 CARRIER TAPE WIDTH	E	D	(C)	(B)	(A)	MATERIAL NO.	極数 CKT.

DO NOT SCALE DRAWING	46 INO. DRWN: CH'K: APPR: 63 INO. DRWN: CH'K: APPR: 62 INO. DRWN: CH'K: APPR: 61 INO. DRWN: CH'K: APPR:	RELEASED 04/02/27 60 NO. J2004-2724 DRWN: M.NAGATA CH'K: K.TOJO APPR: M.SASAO	MATERIAL 材料 SHEET 1 OF 5 参照 REFER TO SHEET 1 OF 5	GENERAL TOLERANCES: (UNLESS SPECIFIED) 一般公差	SCALE #	MODEL NO. 52852-***70 DESIGN UNITS <input checked="" type="checkbox"/> mm <input type="checkbox"/> INCH	DIMENSIONS: <input checked="" type="checkbox"/> mm <input type="checkbox"/> INCH <input type="checkbox"/> mm <input type="checkbox"/> INCH	SHT #	REV #			
	WIRE RANGE 適用電線範囲 #			FINISH 仕上げ #	10 UNDER 未満 ±0.2 10 OVER 以上 30 UNDER 未満 ±0.25 30 OVER 以上 ±0.3	DRAWN BY & DATE M.NAGATA 04/02/27	TITLE: 1.0 FFC Conn Assy NON ZIF SMT RA Bottom Contact Embstp Pkg -LEAD FREE-	Molex MOLEX INCORPORATED	CAD FILENAME SD-52852-011.S04	MATERIAL NO. SEE CHART	DRAWING NO. SD-52852-011	SHEET NO. 4 OF 5
	INS. RANGE 被覆外径 #			ANGLE 角度 ±3°	APPROVED BY & DATE M.SASAO 04/02/27	THIS DRAWING CONTAINS INFORMATION THAT IS PROPRIETARY TO MOLEX INCORPORATED AND SHOULD NOT BE USED WITHOUT WRITTEN PERMISSION.						
	8	7	6	5	4	3	2	EN-02J(097) MXJ-54				

8 7 6 5 4 3 2 1



56mm幅キャリアテープ
56mm WIDTH CARRIER TAPE

56	61.5	57.5	37.1	34.1	30.4	52852-3070	30
			36.1	33.1	29.4	52852-2970	29
			35.1	32.1	28.4	52852-2870	28
キャリアテープ幅 CARRIER TAPE WIDTH	E	D	(C)	(B)	(A)	MATERIAL NO.	極数 CKT.

64 NO. DRWN: CH'K: APPR:	63 NO. DRWN: CH'K: APPR:	62 NO. DRWN: CH'K: APPR:	61 NO. DRWN: CH'K: APPR:	RELEASED '04/02/27 60 NO. J2004-2724 DRWN: M.NAGATA CH'K: K.TOJO APPR: M.SASAO	MATERIAL 材料 SHEET 1 OF 5 参照 REFER TO SHEET 1 OF 5 FINISH 仕上げ WIRE RANGE 適用電線範囲 INS. RANGE 被覆外径	GENERAL TOLERANCES: (UNLESS SPECIFIED) 一般公差 10 UNDER 未満 10 OVER 以上 30 UNDER 未満 30 OVER 以上 ANGLE 角度	SCALE # DRAWN BY & DATE M.NAGATA '04/02/27 CHECKED BY & DATE K.TOJO '04/02/27 APPROVED BY & DATE M.SASAO '04/02/27 CAD FILENAME SD-52852-011.S05	MODEL NO. 52852-**70 DIMENSIONS: 1.0 FFC Conn Assy NON ZIF SMT RA Bottom Contact Embstp Pkg -LEAD FREE- MOLEX INCORPORATED MATERIAL NO. SEE CHART DRAWING NO. SD-52852-011 SHEET NO. 5	SHT CAD ONLY REV CAD ONLY SIZE B
--------------------------------	--------------------------------	--------------------------------	--------------------------------	--	---	---	---	---	---