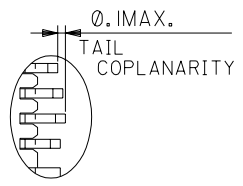
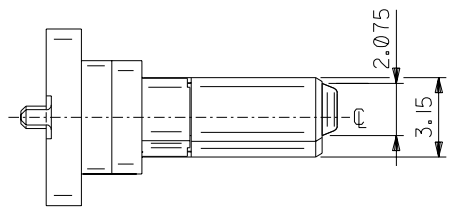
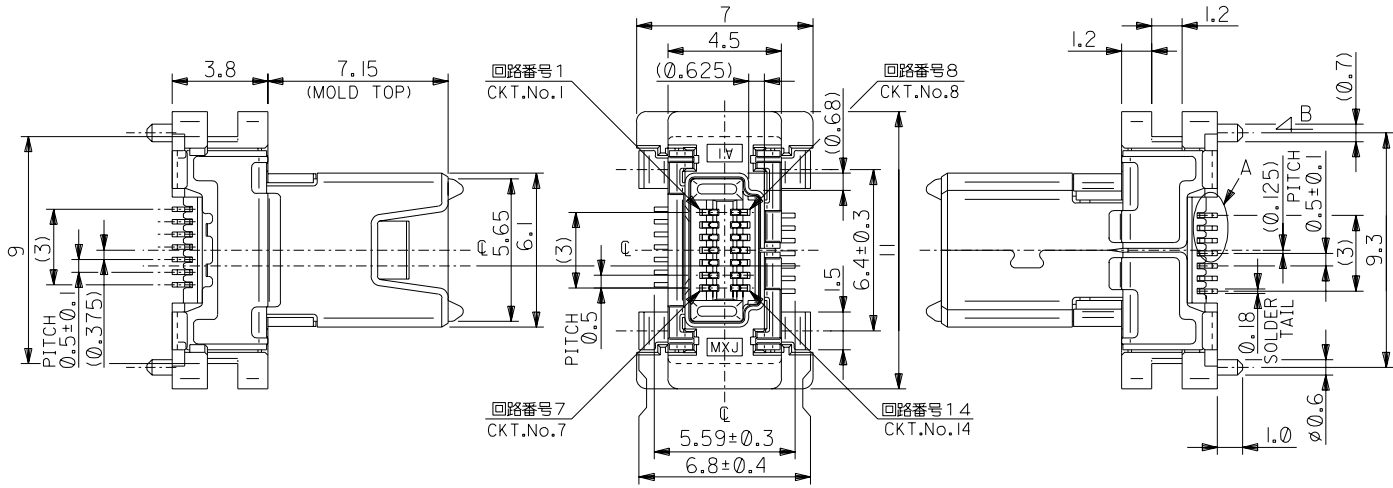
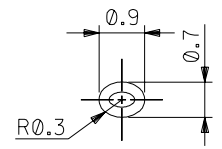


DWG. NO.
SD-500887-001



DETAIL A
(SCALE: 10-1)



VIEW B
(SCALE: 10-1)

NOTE:

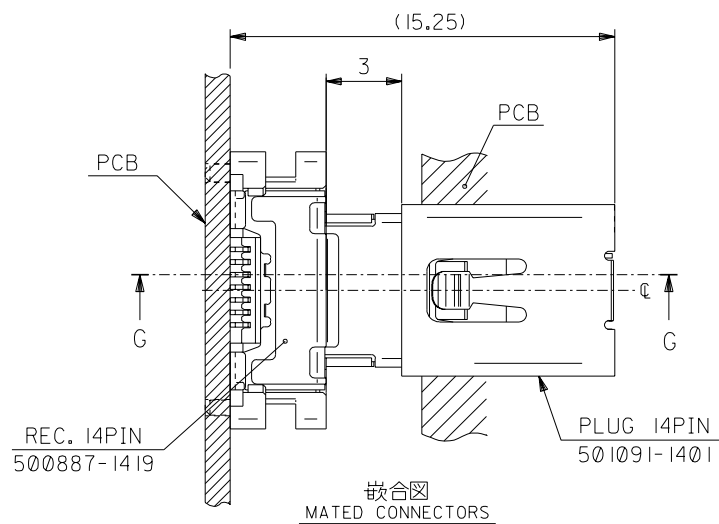
1. 適合プラグ番号 : 501091-1401
APPLICABLE PLUG NO.:
2. 材質
MATERIAL
 - 2-1. ハウジング : ガラス入り耐熱樹脂
UL94V-0, 黒色
HOUSING: G.F. HEAT RESISTANT PLASTIC
UL94V-0, BLACK COLOR
 - 2-2. ターミナル : 銅合金
TERMINAL : COPPER ALLOY
 - 2-3. リセ シールド : ステンレス鋼
REC. SHIELD : STAINLESS STEEL
3. メッキ仕様
PLATING
 - 3-1. ターミナル
TERMINAL
 - 3-1-1. 接点部 : 金メッキ 0.1umMIN.
CONTACT AREA : GOLD
: パラジウムニッケルメッキ 0.2umMIN.
: PALLADIUM-NICKEL
 - 3-1-2. 半田付け部 : 錫メッキ 0.5umMIN.
SOLDER TAIL AREA : Sn
 - 3-1-3. 下地メッキ : ニッケルメッキ 1.5umMIN.
UNDER-PLATING : NICKEL
 - 3-2. リセ シールド
REC. SHIELD
 - 3-2-1. 表面処理 : 金コーティング
SURFACE TREATMENT : GOLD COATING
 - 3-2-2. 下地メッキ : ニッケルメッキ 1.0umMIN.
UNDER-PLATING : NICKEL

DO NOT SCALE DRAWING

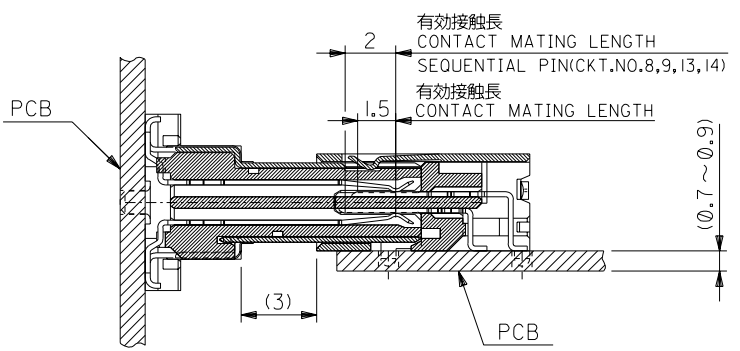
EC NO. DRWN: CHK: APPR:		EC NO. DRWN: CHK: APPR:		EC NO. DRWN: CHK: APPR:		EC NO. DRWN: CHK: APPR:		RELEASED EC NO. J2004-2613 DRWN: T.ODA 04/04/30 CHK: S.ICHIKAWA APPR: YO.IIO		MATERIAL 材料 #		GENERAL TOLERANCES: (UNLESS SPECIFIED) 一般公差 10 UNDER 未満 ±0.2 10 OVER 30 UNDER 未満 ±0.25 30 OVER 以上 ±0.3		SCALE 5-1 DESIGN UNITS <input checked="" type="checkbox"/> mm <input type="checkbox"/> INCH		<input checked="" type="checkbox"/> THIRD ANGLE PROJECTION		DIMENSIONS: <input type="checkbox"/> mm <input type="checkbox"/> INCH <input checked="" type="checkbox"/> mm ONLY		SHT REV REVISION ON CAD ONLY	
0		0		0		0		0		DESCRIPTION 仕上がり #		WIRE RANGE 適用着線範囲 #		DRAWN BY & DATE Y.Ota 04/02/23		CHECKED BY & DATE S. Ichikawa		TITLE: 0.5 I/O S/T CONN. REC. HS'G ASS'Y 14CKT. -LEAD FREE-		MOLEX MOLEX INCORPORATED	
0		0		0		0		0		INS. RANGE 被覆外径 #		ANGLE 角度 ±3°		CAD FILENAME SD-500887-001.S01		MATERIAL NO. SEE CHART		DRAWING NO. SD-500887-001		SHEET NO. 1 OF 2	
THIS DRAWING CONTAINS INFORMATION THAT IS PROPRIETARY TO MOLEX INCORPORATED AND SHOULD NOT BE USED WITHOUT WRITTEN PERMISSION.																		SIZE B			

500887-1419	500887-14**
MATERIAL NO.	MODEL NO.
DIMENSIONS:	
<input type="checkbox"/> mm	<input type="checkbox"/> INCH
<input checked="" type="checkbox"/> mm ONLY	

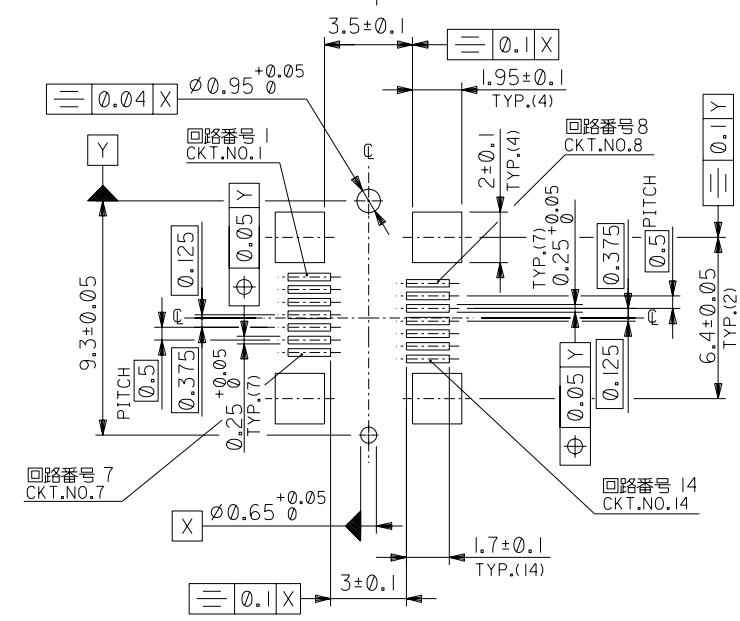
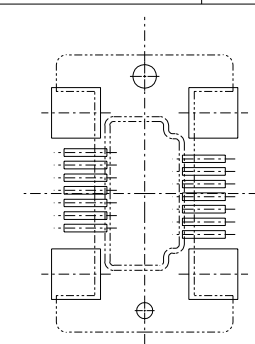
DWG. NO.
SD-500887-001



嵌合図
MATED CONNECTORS



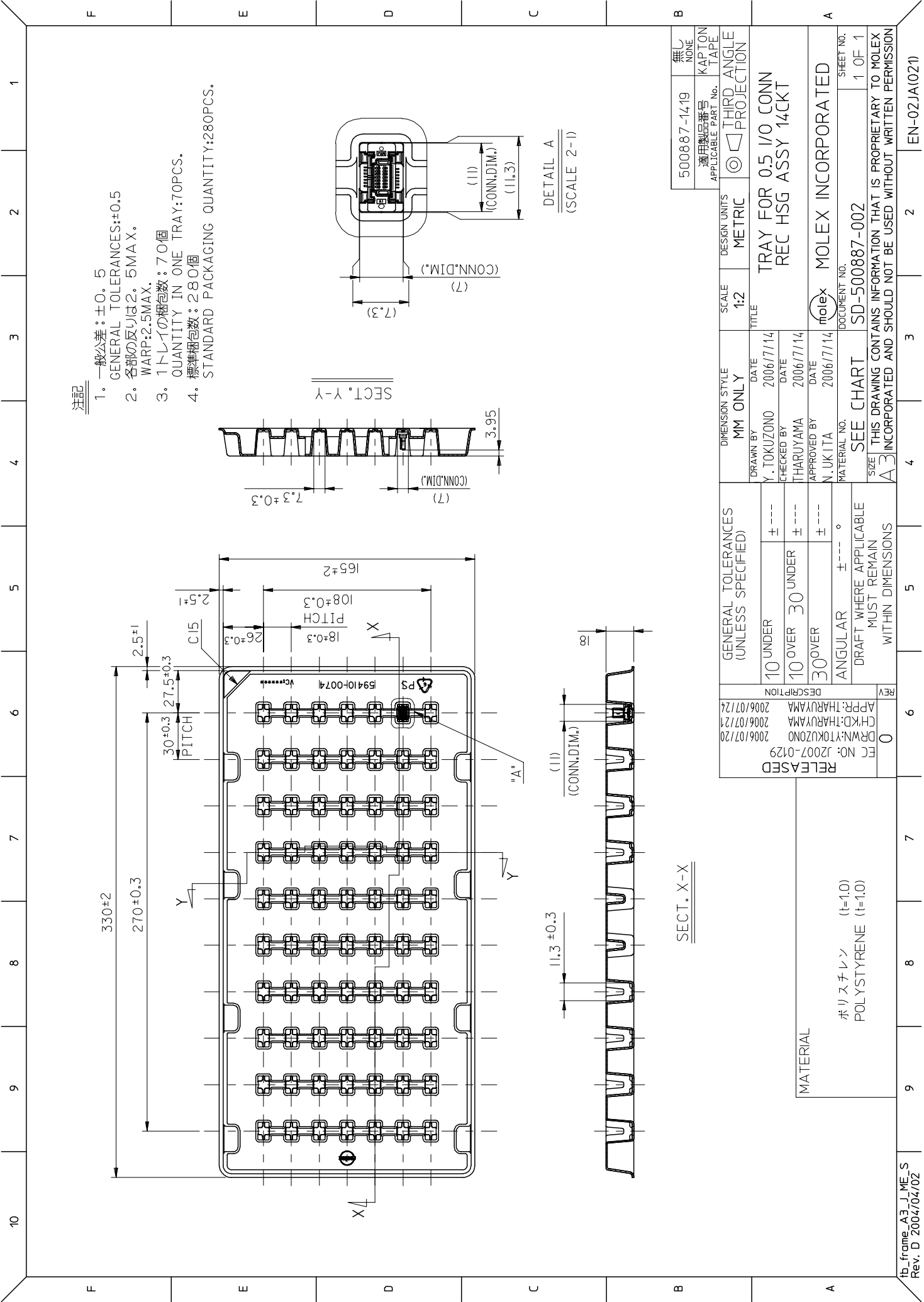
SECTION G-G



基板穴推奨寸法 (部品実装側)
RECOMMENDED P.C.B LAYOUT (MOUNTING SIDE)

DO NOT SCALE DRAWING

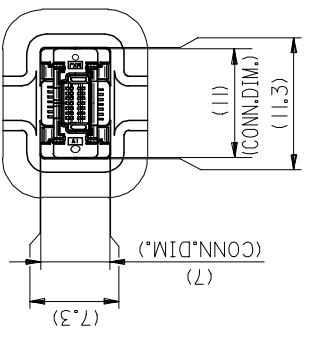
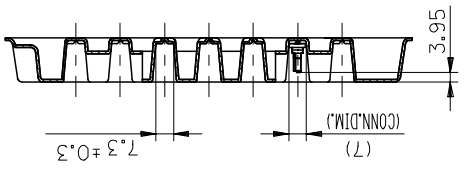
EC NO. DRAWN: CHK: APPR:	EC NO. DRAWN: CHK: APPR:	EC NO. DRAWN: CHK: APPR:	EC NO. DRAWN: CHK: APPR:	EC NO. DRAWN: CHK: APPR:	EC NO. DRAWN: CHK: APPR:	DESCRIPTION	MATERIAL 材料	GENERAL TOLERANCES: (UNLESS SPECIFIED) 一般公差	SCALE	DESIGN UNITS	THIRD ANGLE PROJECTION	DIMENSIONS:	SHT	REV
							#		5-1	mm □ INCH	mm ONLY	mm	INCH	mm
EC NO. DRAWN: CHK: APPR:	EC NO. DRAWN: CHK: APPR:	EC NO. DRAWN: CHK: APPR:	EC NO. DRAWN: CHK: APPR:	EC NO. DRAWN: CHK: APPR:	EC NO. DRAWN: CHK: APPR:	DESCRIPTION	FINISH 仕上り	10 UNDER 未満	±0.2	DRAWN BY & DATE	TITLE:	MATERIAL NO.	DRAWING NO.	SHEET NO.
							#	10 OVER 30 UNDER 以上 未満	±0.25	Y. Ota '04/02/23				
EC NO. DRAWN: CHK: APPR:	EC NO. DRAWN: CHK: APPR:	EC NO. DRAWN: CHK: APPR:	EC NO. DRAWN: CHK: APPR:	EC NO. DRAWN: CHK: APPR:	EC NO. DRAWN: CHK: APPR:	DESCRIPTION	WIRE RANGE 適用電線範囲	30 OVER 以上	±0.3	CHECKED BY & DATE	MATERIAL NO.	DRAWING NO.	SHEET NO.	
							#	30 OVER 以上	±0.3	S. Ichikawa.				SD-500887-001.S02
EC NO. DRAWN: CHK: APPR:	EC NO. DRAWN: CHK: APPR:	EC NO. DRAWN: CHK: APPR:	EC NO. DRAWN: CHK: APPR:	EC NO. DRAWN: CHK: APPR:	EC NO. DRAWN: CHK: APPR:	DESCRIPTION	INS. RANGE 被覆外径	ANGLE 角度	±3°	APPROVED BY & DATE	MATERIAL NO.	DRAWING NO.	SHEET NO.	
							#	#	±3°	Y. Ota				SD-500887-001.S02
THIS DRAWING CONTAINS INFORMATION THAT IS PROPRIETARY TO MOLEX INCORPORATED AND SHOULD NOT BE USED WITHOUT WRITTEN PERMISSION.											SIZE	B		



注記

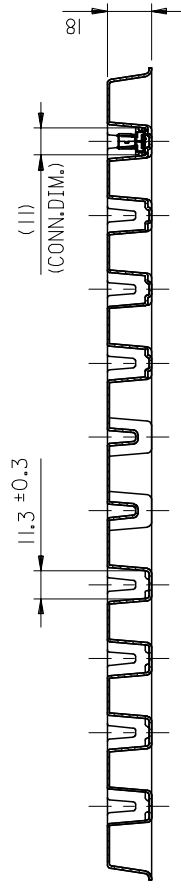
1. 一般公差: ±0.5
GENERAL TOLERANCES: ±0.5
2. 各部の反りは2.5MAX.
WARP: 2.5MAX.
3. 1トレイの梱包数: 70個
QUANTITY IN ONE TRAY: 70PCS.
4. 標準梱包数: 280個
STANDARD PACKAGING QUANTITY: 280PCS.

SECT. Y-Y



DETAIL A
(SCALE 2-1)

SECT. X-X



500887-1419 無し 通用製品番号 APPLICABLE PART No. KAPTON TAPE		DESIGN UNITS METRIC		SCALE 1:2		DIMENSION STYLE MM ONLY		THIRD ANGLE PROJECTION	
TRAY FOR 0.5 I/O CONN REC HSG ASSY 14CKT		TITLE		DRAWN BY Y. TOKUZONO 2006/7/14		DATE		MOLEX INCORPORATED	
				CHECKED BY THARUYAMA 2006/7/14		DATE		DOCUMENT NO. SD-500887-002	
				APPROVED BY N. UKITA 2006/7/14		DATE		SHEET NO. 1 OF 1	
				MATERIAL NO.		SEE CHART		MOLEX INCORPORATED	
				GENERAL TOLERANCES (UNLESS SPECIFIED)		DRAWING WHERE APPLICABLE MUST REMAIN WITHIN DIMENSIONS		THIS DRAWING CONTAINS INFORMATION THAT IS PROPRIETARY TO MOLEX INCORPORATED AND SHOULD NOT BE USED WITHOUT WRITTEN PERMISSION	
				10 UNDER ± ---		30 OVER ± ---		A3	
				30 OVER ± ---		ANGULAR ± --- °			
				DRW NO: 2007-0129		REV			
				DRWN: Y. TOKUZONO 2006/07/20		0			
				CHKD: THARUYAMA 2006/07/23					
				APPR: THARUYAMA 2006/07/24					
MATERIAL ポリスチレン (t=1.0) POLYSTYRENE (t=1.0)				RELEASED					