

NOTES:

1.0 ALL RESISTORS ARE 5% TOLERANCE.

ELECTRICAL SPECIFICATIONS:

1.0 TURNS RATIO: (P4-P2-P5) : (J3-J6)  
(P1-P2-P3) : (J1-J2)

2.0 INDUCTANCE: (P1-P3)  
(P4-P5)

3.0 LEAKAGE INDUCTANCE: P5-P4 (WITH J6 AND J3 SHORT)  
P1-P3 (WITH J2 AND J1 SHORT)

4.0 INTERWINDING CAPACITANCE: (P5,P2,P4) TO (J6,J3)  
(P3,P2,P1) TO (J2,J1)

5.0 DC RESISTANCE: (J6-J3)=(J2-J1)

: 1CT : 1CT ± 3%  
: 1CT : 1CT ± 3%

: 350uH MIN. @ 0.1V, 100KHz, 8mA DC Bias  
: 350uH MIN. @ 0.1V, 100KHz, 8mA DC Bias

: 0.3 MAX. @ 1MHZ  
: 0.3 MAX. @ 1MHZ

: 40pf MAX. @ 1MHZ  
: 40pf MAX. @ 1MHZ

: 1.3 ohms Max.

Bel Stewart Connector

11118, Susquehanna Trail, South  
Glen Rock, Pa. 17327-9199  
717.234.7612

**MagJack®**

<http://www.stewartconnector.com>

SHEET  
1 OF 4

DRAWING NO.

SI-50153 REV. 06

THIS DRAWING AND THE SUBJECT MATTER SHOWN THEREON ARE CONFIDENTIAL AND PROPERTY OF BEL STEWART CONNECTOR AND SHALL NOT BE REPRODUCED, COPIED, OR USED IN ANY MANNER WITHOUT PRIOR WRITTEN CONTENT OF BEL STEWART

RECEIVE

6.0 RETURN LOSS: (P1-P3)=100 OHMS AND (P4-P5)=100 OHM REF.  
1MHZ TO 30MHZ : 18dB MIN.  
30MHZ TO 80MHZ : 12dB MIN.

NOTE: 100 OHMS CONNECTED TO (J2-J1) OR (J6-J3).

7.0 DIELECTRIC WITHSTAND: (J1, J2) TO (P1, P3) : 1500 VAC  
(J3, J6) TO (P5, P3) : 1500 VAC

8.0 INSERTION LOSS: RS=RL=100 ohms : 1.1 dB TYP  
100KHz TO 100MHZ

9.0 RISE TIME: RS=100 OHMS AND RL = 100 OHMS : 3.0 nS MAX  
OUTPUT VOLTAGE = 1 V peak : 3.0 nS MAX  
PULSE WIDTH= 112nS

10.0 CROSS TALK: 1-100 MHZ : 30 dB TYP

11.0 COMMON TO COMMON MODE ATTENUATION: 1MHZ TO 100MHZ : 35dB TYP

Bel Stewart Connector

11118 Susquehanna Trail, South  
Glen Rock, Pa 17327-9199  
717.234.7612

**MagJack®**

<http://www.stewartconnector.com>

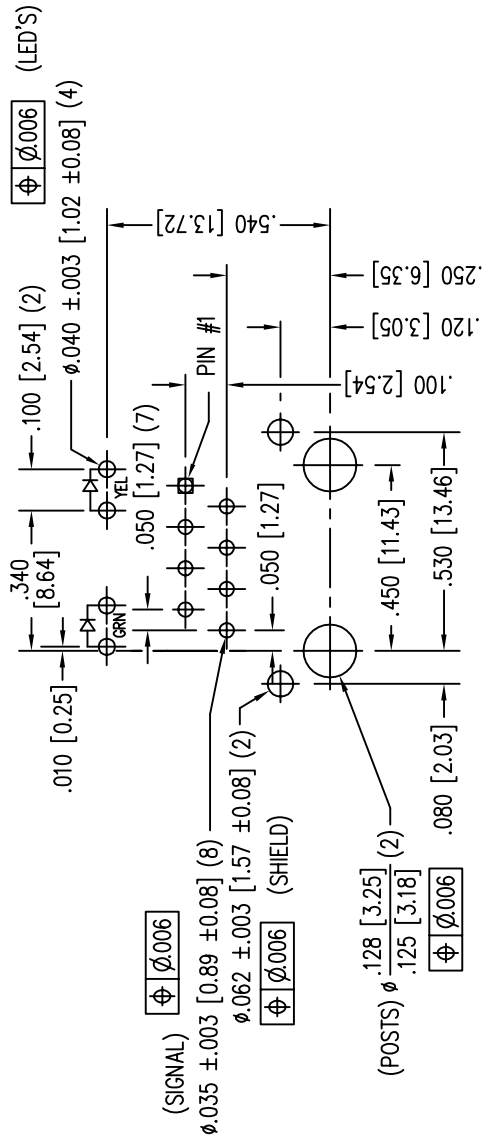
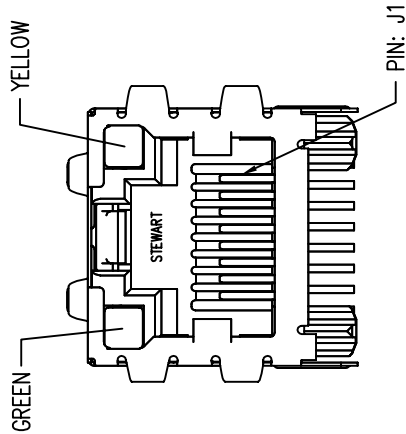
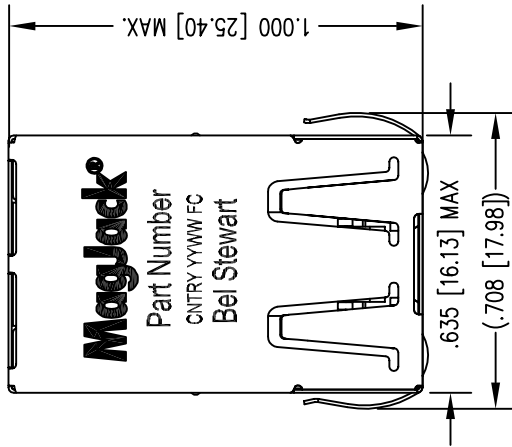
SHEET  
2 OF 4

DRAWING NO.

SI-50153

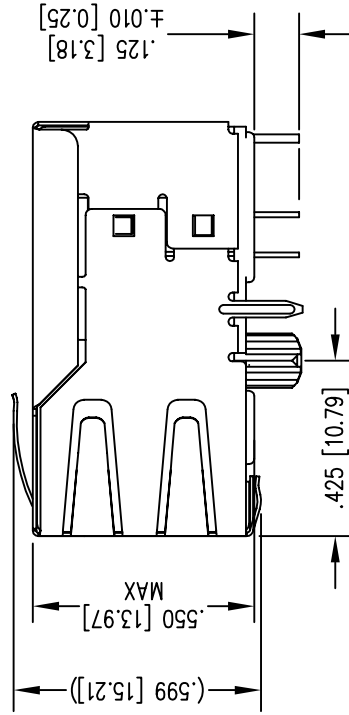
REV. 06

THIS DRAWING AND THE SUBJECT MATTER SHOWN THEREON ARE CONFIDENTIAL AND PROPERTY OF BEL STEWART CONNECTOR AND SHALL NOT BE REPRODUCED, COPIED, OR USED IN ANY MANNER WITHOUT PRIOR WRITTEN CONTENT OF BEL STEWART



P.C.B. RECOMMENDED HOLE LAYOUT  
 SEEN FROM COMPONENT SIDE

ALL CENTERLINE DIMENSIONS ARE BASIC.



NOTES:

- CONNECTOR MATERIALS:  
 HOUSING: THERMOPLASTIC UL94 V-0  
 CONTACT/SHIELD: COPPER ALLOY  
 SHIELD PLATING: NICKEL OR TIN  
 CONTACT PLATING: SELECTIVE GOLD,  
 50 MICRO-INCHES MIN. IN CONTACT AREA.
- PIN NOT ELECTRICALLY CONNECTED MAYBE OMITTED.  
 SEE ELECTRICAL DRAWING FOR OMITTED PINS.
- TOLERANCES COMPLY WITH F.C.C. DIMENSION REQUIREMENTS.
- THE SUGGESTED PANEL OPENING IS INTENDED TO GIVE  
 USER THE ABILITY TO HAVE REASONABLE JACK/PANEL  
 CLEARANCES, YET MAINTAIN GROUNDING CAPABILITY.
- WAVE SOLDER COMPATIBLE - PREHEAT 125°C/90SECS.  
 HIGH TEMPERATURE REFLOW COMPATIBLE - 230°C/90 SEC MAX.

LED SPECIFICATION		
STANDARD LED	WAVELENGTH	* Forward V (MAX) (TYP)
GREEN	565 nm	2.5 V 2.1 V
YELLOW	590 nm	2.5 V 2.1 V

\*WITH A FORWARD CURRENT OF 20 mA

**Bel Stewart Connector**  
 11118 Susquehanna Trail, South  
 Glen Rock, Pa. 17327-9199  
 717.234.7512

**MagJack®**  
<http://www.stewartconnector.com>

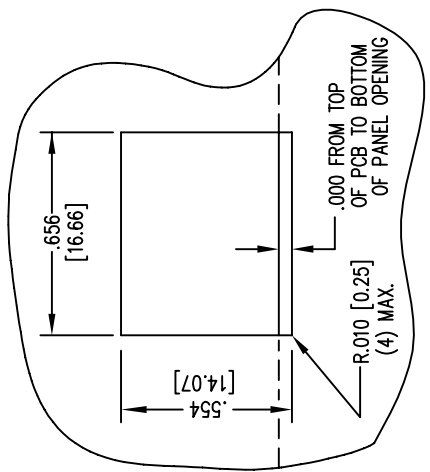
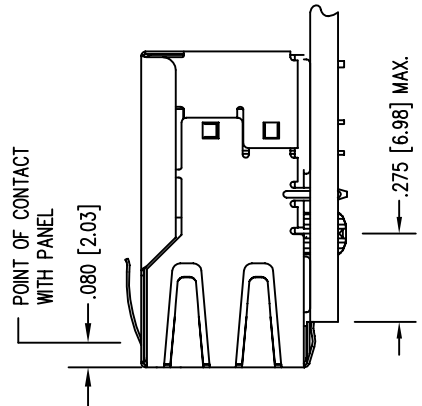
THIS DRAWING AND THE SUBJECT MATTER SHOWN THEREON ARE CONFIDENTIAL AND PROPERTY OF BEL STEWART CONNECTOR AND SHALL NOT BE REPRODUCED, COPIED, OR USED IN ANY MANNER WITHOUT PRIOR WRITTEN CONTENT OF BEL STEWART

SHEET 3 OF 4

DRAWING NO.

SI-50153

REV. 06



SUGGESTED PANEL OPENING

**Bel Stewart Connector**  
 11118 Susquehanna Trail, South  
 Glen Rock, Pa. 17327-9199  
 717.234.7612

**MagJack®**

<http://www.stewartconnector.com>

SHEET 4 OF 4  
 DRAWING NO. SI-50153  
 REV. 06

THIS DRAWING AND THE SUBJECT MATTER SHOWN THEREON ARE CONFIDENTIAL AND PROPERTY OF BEL STEWART CONNECTOR AND SHALL NOT BE REPRODUCED, COPIED, OR USED IN ANY MANNER WITHOUT PRIOR WRITTEN CONSENT OF BEL STEWART