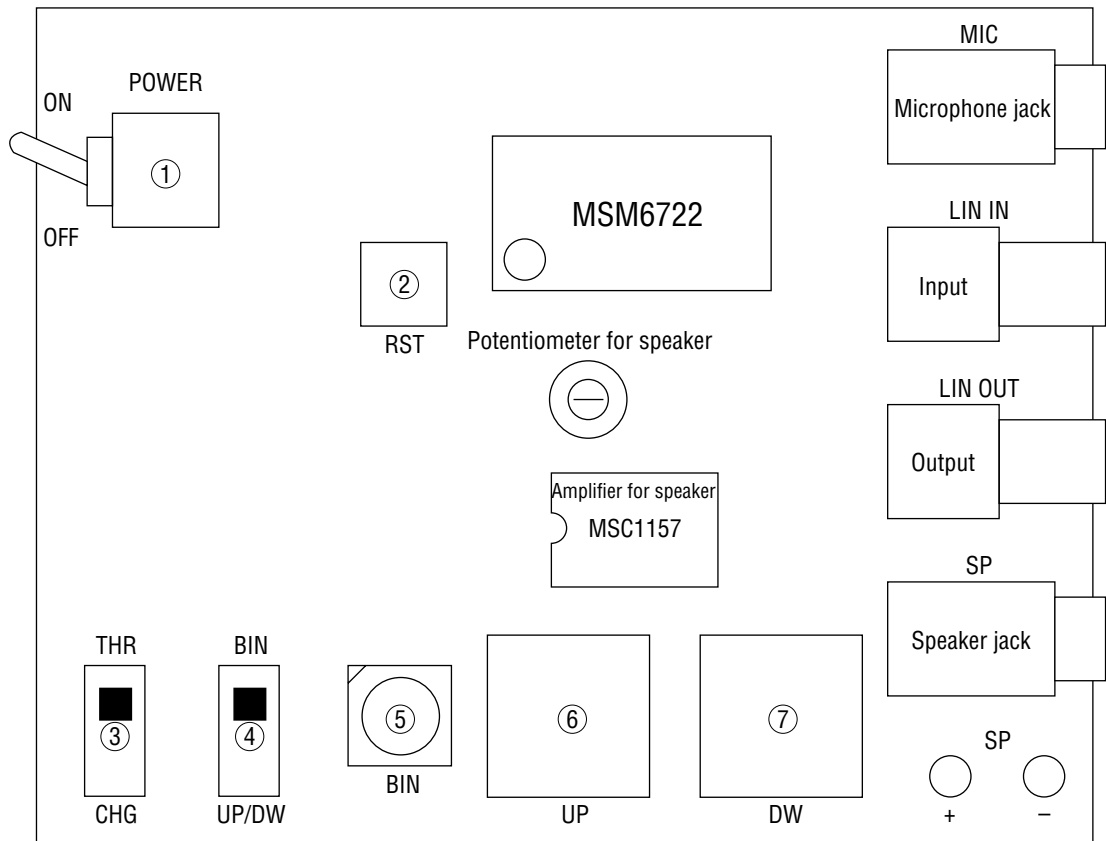


MSM6722 DEMO BOARD

MSM6722 Demonstration Board

BOARD DESIGN



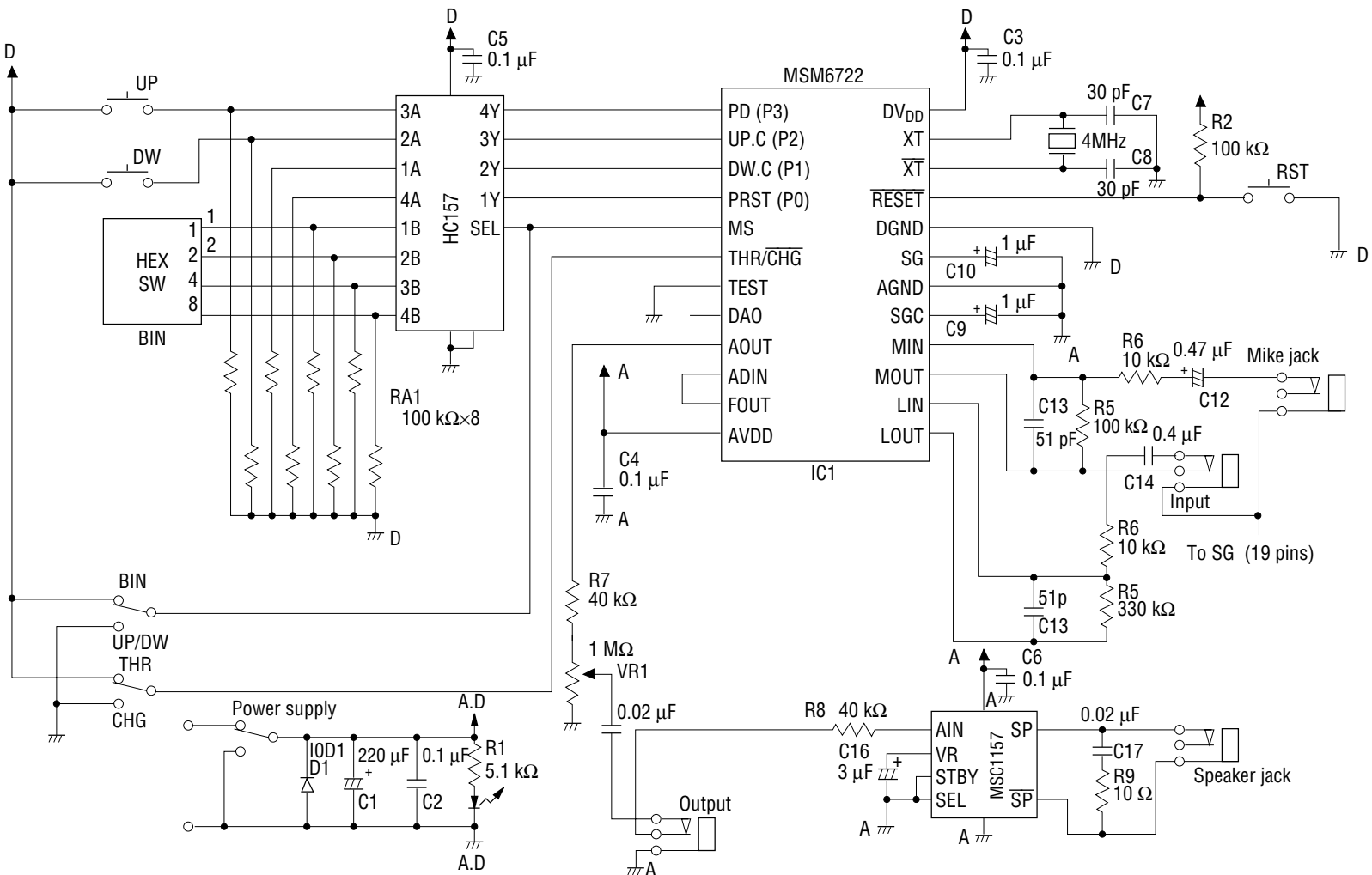
INITIALIZATION

- Insert the microphone into the microphone jack.
- Insert the speaker into the speaker jack.

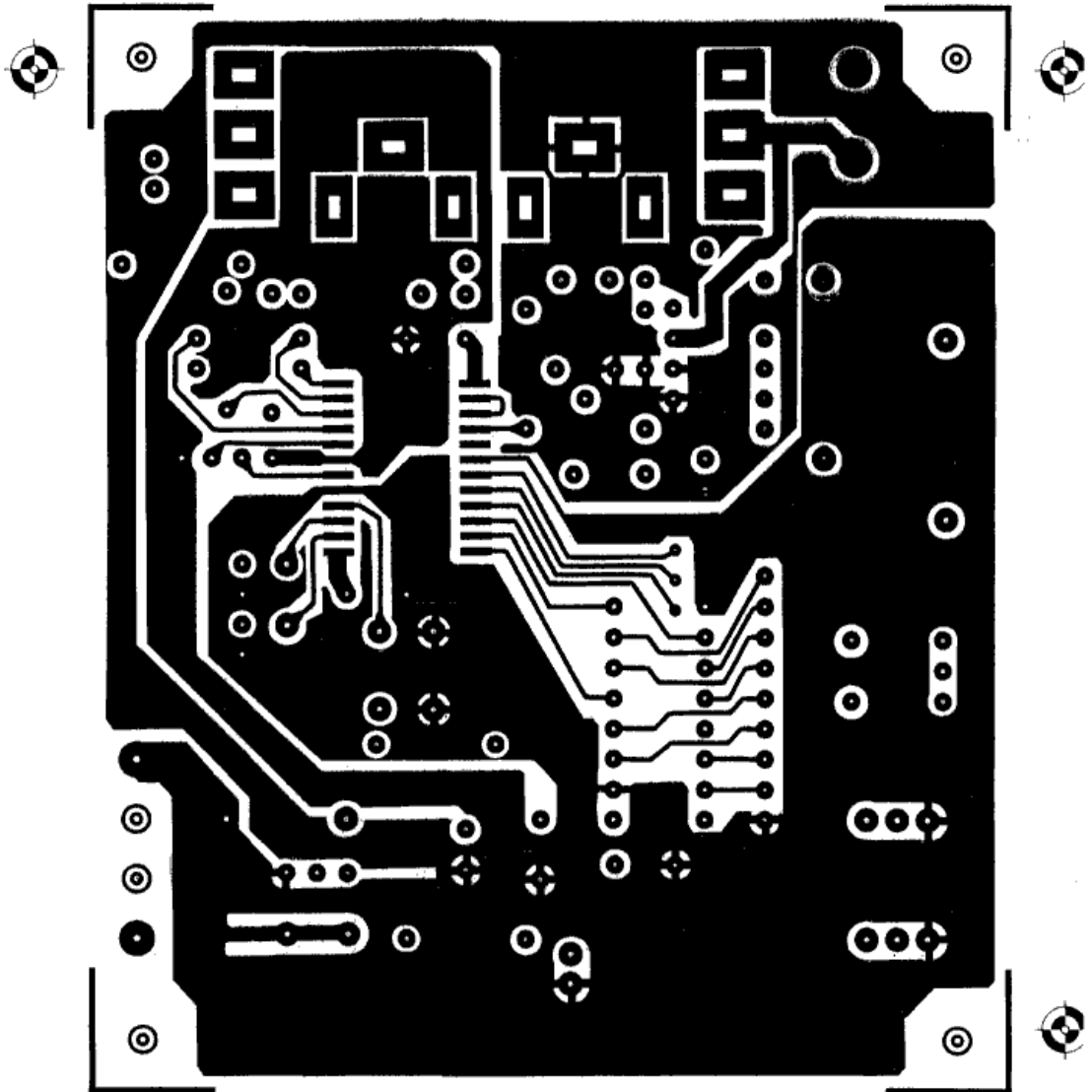
SWITCHES

- ① Main power switch.
- ② Reset switch. Pressing the switch initializes the LSI.
- ③ THR/CHG switch. Placing the switch in the THR position outputs voice incurring no interval translation. Placing the switch in the CHG position outputs voice incurring interval translation.
- ④ Mode selection switch. Placing the switch in the BIN position sets up the binary mode. Placing the switch in the UP/DW position sets up the up/down mode.
- ⑤ HEX switch. Used in the binary mode to change intervals.
- ⑥⑦ Incremental/decremental switches. In the incremental/decremental mode, the switches allow the interval to be changed. Pressing the switches concurrently enables the interval step to be reset.

CIRCUIT DIAGRAM



Mounting Side



Solder Side

