

# MC14598B

## 8-Bit Bus-Compatible Latches

The MC14598B is an 8-bit latch addressed with an external binary address. The 8 latch-outputs are high drive, three-state and bus line compatible. The drive capability allows direct applications with MPU systems such as the Motorola 6800 family.

The latches of the MC14598B are accessed via the Address pins, A0, A1, and A2.

All 8 outputs from the latches are available in parallel when  $\overline{\text{Enable}}$  is in the low state. Data is entered into a selected latch from the Data pin when the Strobe is high. Master reset is available on both parts.

- Serial Data Input
- Three-State Bus Compatible Parallel Outputs
- Three-State Control Pin ( $\overline{\text{Enable}}$ ) TTL Compatible Input
- Open Drain  $\overline{\text{Full}}$  Flag (Multiple Latch Wire-O Ring)
- Master Reset
- Level Shifting Inputs on All Except  $\overline{\text{Enable}}$
- Diode Protection — All Inputs
- Supply Voltage Range — 3.0 Vdc to 18 Vdc
- Capable of Driving TTL Over Rated Temperature Range

With Fanout as Follows:

- 1 TTL Load
- 4 LSTTL Loads

### MAXIMUM RATINGS (Voltages Referenced to $V_{SS}$ ) (Note 1.)

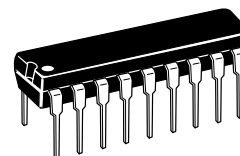
Symbol	Parameter	Value	Unit
$V_{DD}$	DC Supply Voltage Range	-0.5 to +18.0	V
$V_{in}$	Input Voltage Range, Enable (DC or Transient)	-0.5 to $V_{DD} + 0.5$	V
$V_{in}$	Input Voltage Range, All Other Inputs (DC or Transient)	-0.5 to $V_{DD} + 12$	V
$V_{out}$	Output Voltage Range, (DC or Transient)	-0.5 to $V_{DD} + 0.5$	V
$I_{in}, I_{out}$	Input or Output Current (DC or Transient) per Pin	$\pm 10$	mA
$P_D$	Power Dissipation, per Package (Note 2.)	500	mW
$T_A$	Ambient Temperature Range	-55 to +125	°C
$T_{stg}$	Storage Temperature Range	-65 to +150	°C
$T_L$	Lead Temperature (8-Second Soldering)	260	°C

1. Maximum Ratings are those values beyond which damage to the device may occur.
2. Temperature Derating:  
Plastic "P and D/DW" Packages: - 7.0 mW/°C From 65°C To 125°C

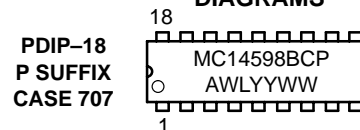


ON Semiconductor

<http://onsemi.com>



### MARKING DIAGRAMS



A = Assembly Location  
WL, L = Wafer Lot  
YY, Y = Year  
WW, W = Work Week

### ORDERING INFORMATION

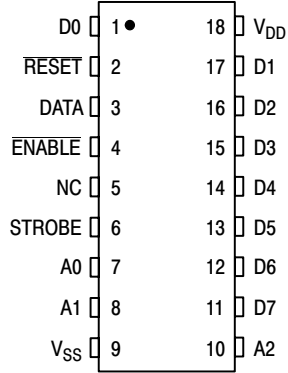
Device	Package	Shipping
MC14598BCP	PDIP-18	20/Rail

This device contains protection circuitry to guard against damage due to high static voltages or electric fields. However, precautions must be taken to avoid applications of any voltage higher than maximum rated voltages to this high-impedance circuit. For proper operation,  $V_{in}$  and  $V_{out}$  should be constrained to the range  $V_{SS} \leq (V_{in} \text{ or } V_{out}) \leq V_{DD}$ .

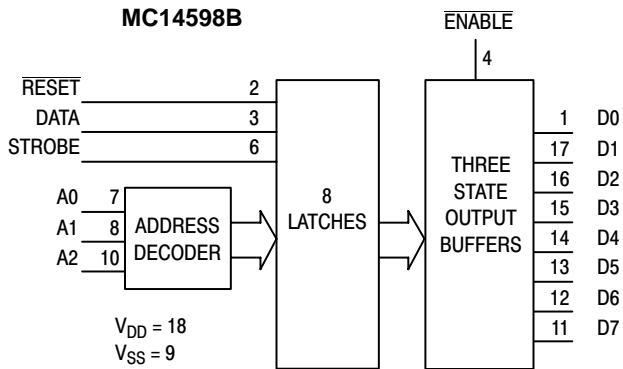
Unused inputs must always be tied to an appropriate logic voltage level (e.g., either  $V_{SS}$  or  $V_{DD}$ ). Unused outputs must be left open.

# MC14598B

## PIN ASSIGNMENT



## BLOCK DIAGRAMS



## OUTPUT TRUTH TABLE

Enable	Outputs
1	High Impedance
0	D <sub>n</sub>

D<sub>n</sub> = State of nth latch

NC = NO CONNECTION

# MC14598B

## ELECTRICAL CHARACTERISTICS (Voltages Referenced to $V_{SS}$ )

Characteristic	Symbol	$V_{DD}$ Vdc	-55°C		25°C			125°C		Unit
			Min	Max	Min	Typ <sup>(3.)</sup>	Max	Min	Max	
Output Voltage $V_{in} = V_{DD}$ or 0	"0" Level $V_{OL}$	5.0	—	0.05	—	0	0.05	—	0.05	Vdc
		10	—	0.05	—	0	0.05	—	0.05	
$V_{in} = 0$ or $V_{DD}$	"1" Level $V_{OH}$	5.0	4.95	—	4.95	5.0	—	4.95	—	Vdc
		10	9.95	—	9.95	10	—	9.95	—	
Input Voltage <sup>(4.)</sup> — Enable "0" Level ( $V_O = 4.5$ or $0.5$ Vdc) ( $V_O = 9.0$ or $1.0$ Vdc) ( $V_O = 13.5$ or $1.5$ Vdc)	$V_{IL}$	5.0	—	0.8	—	1.1	0.8	—	0.8	Vdc
		10	—	1.6	—	2.2	1.6	—	1.6	
(V <sub>O</sub> = 0.5 or 4.5 Vdc) (V <sub>O</sub> = 1.0 or 9.0 Vdc) (V <sub>O</sub> = 1.5 or 13.5 Vdc)	"1" Level $V_{IH}$	5.0	2.0	—	2.0	1.9	—	2.0	—	Vdc
		10	6.0	—	6.0	3.1	—	6.0	—	
Input Voltage Other Inputs ( $V_O = 4.5$ or $0.5$ Vdc) ( $V_O = 9.0$ or $1.0$ Vdc) ( $V_O = 13.5$ or $1.5$ Vdc)	"0" Level $V_{IL}$	5.0	—	1.5	—	2.25	1.5	—	1.5	Vdc
		10	—	3.0	—	4.50	3.0	—	3.0	
(V <sub>O</sub> = 0.5 or 4.5 Vdc) (V <sub>O</sub> = 1.0 or 9.0 Vdc) (V <sub>O</sub> = 1.5 or 13.5 Vdc)	"1" Level $V_{IH}$	5.0	3.5	—	3.5	2.75	—	3.5	—	Vdc
		10	7.0	—	7.0	5.50	—	7.0	—	
Output Drive Current (Full — Sink Only) ( $V_{OH} = 4.6$ Vdc) ( $V_{OH} = 9.5$ Vdc) ( $V_{OH} = 13.5$ Vdc)	Source $I_{OH}$	5.0	-1.0	—	-1.0	-2.0	—	-1.0	—	mAdc
		10	—	—	—	-6.0	—	—	—	
(V <sub>OL</sub> = 0.4 Vdc) (V <sub>OL</sub> = 0.5 Vdc) (V <sub>OL</sub> = 1.5 Vdc)	Sink $I_{OL}$	5.0	1.6	—	1.6	3.2	—	1.6	—	mAdc
		10	—	—	—	6.0	—	—	—	
(V <sub>OL</sub> = 1.5 Vdc)		15	—	—	—	12	—	—	—	
Input Current	$I_{in}$	15	—	±0.1	—	±0.00001	±0.1	—	±1.0	μAdc
Three-State Leakage Current	$I_{TL}$	15	—	±0.1	—	±0.00001	±0.1	—	±3.0	μAdc
Input Capacitance ( $V_{in} = 0$ )	$C_{in}$	—	—	—	—	5.0	7.5	—	—	pF
Quiescent Current (Per Package)	$I_{DD}$	5.0	—	5.0	—	0.005	5.0	—	150	μAdc
		10	—	10	—	0.010	10	—	300	
		15	—	20	—	0.015	20	—	600	
Total Supply Current at an External Load Capacitance of 130 pF <sup>(4.)</sup>	$I_T$	5.0	$I_T = (2.0 \mu A/kHz) f + I_{DD}$							μAdc
		10	$I_T = (4.0 \mu A/kHz) f + I_{DD}$							
			$I_T = (6.0 \mu A/kHz) f + I_{DD}$							

3. Data labelled "Typ" is not to be used for design purposes but is intended as an indication of the IC's potential performance.

4. The formulas given are for the typical characteristics only at 25°C.

# MC14598B

## SWITCHING CHARACTERISTICS <sup>(5.)</sup> ( $T_A = 25^\circ\text{C}$ , $C_L = 130\text{ pF} + 1\text{ TTL Load}$ )

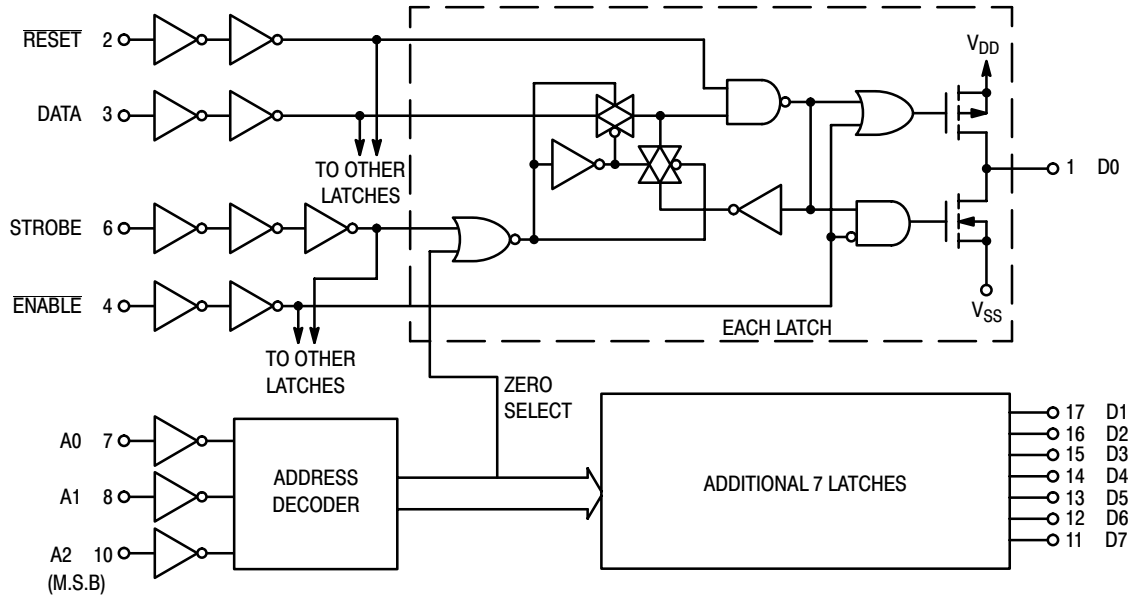
Characteristic	Symbol	$V_{DD}$ Vdc	All Types			Unit
			Min	Typ <sup>(6.)</sup>	Max	
Output Rise and Fall Time $t_{TLH}, t_{THL} = (0.5\text{ ns/pF}) C_L + 35\text{ ns}$ $t_{TLH}, t_{THL} = (0.2\text{ ns/pF}) C_L + 25\text{ ns}$ $t_{TLH}, t_{THL} = (0.16\text{ ns/pF}) C_L + 20\text{ ns}$	$t_{TLH},$ $t_{THL}$	5.0	—	100	200	ns
		10	—	50	100	
		15	—	40	80	
Propagation Delay Time Enable to Output  Strobe to Output  $\overline{\text{Reset}}$ to Output	$t_{PLH},$ $t_{PHL}$	5.0	—	160	320	ns
		10	—	125	250	
		15	—	100	200	
		5.0	—	200	400	
		10	—	100	200	
		15	—	80	160	
		5.0	—	175	350	
		10	—	90	180	
		15	—	70	140	
Pulse Width $\overline{\text{Enable}}$  Strobe  Increment  $\overline{\text{Reset}}$	$t_{WH},$ $t_{WL}$	5.0	320	160	—	ns
		10	240	120	—	
		15	160	80	—	
		5.0	200	100	—	
		10	100	50	—	
		15	80	40	—	
		5.0	200	100	—	
		10	100	50	—	
		15	80	40	—	
		5.0	300	150	—	
		10	160	80	—	
		15	100	50	—	
Setup Time Data  Address	$t_{su}$	5.0	100	50	—	ns
		10	50	25	—	
		15	35	20	—	
		5.0	200	100	—	
		10	100	50	—	
		15	70	35	—	
Hold Time Data  Address	$t_h$	5.0	100	50	—	ns
		10	50	25	—	
		15	35	20	—	
		5.0	100	50	—	
		10	50	25	—	
		15	35	20	—	
Reset Removal Time	$t_{rem}$	5.0	20	– 25	—	ns
		10	20	– 15	—	
		15	20	– 10	—	

5. The formulas given are for the typical characteristics only at 25°C.

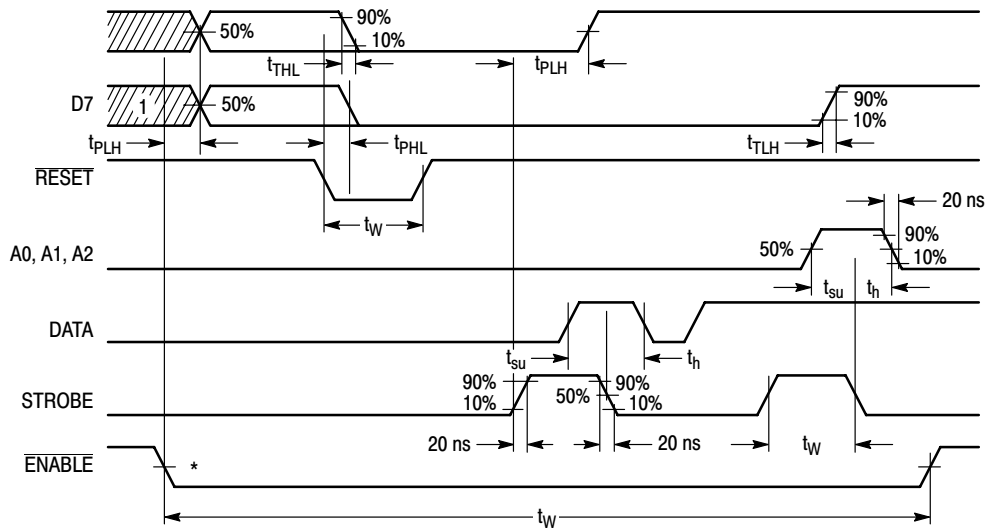
6. Data labelled "Typ" is not to be used for design purposes but is intended as an indication of the IC's potential performance.

# MC14598B

## MC14598B FUNCTION DIAGRAM



## MC14598B TIMING DIAGRAM



\*1.4 V with  $V_{DD} = 5.0$  V

### NOTES:

1. High-impedance output state (another device controls bus).
2. Output Load as for MC14597B.

# MC14598B

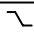
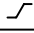
**LATCH TRUTH TABLE**

Strobe	$\overline{\text{Reset}}$	Address Latch	Other Latches
0	1	*	*
1	1	Data	*
X	0	0	0

\*= No change in state of latch

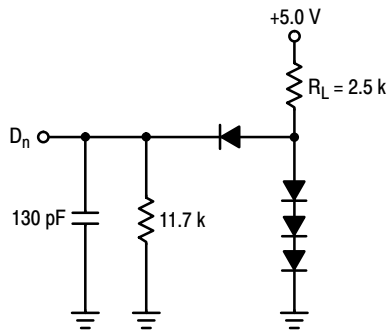
X = Don't care

**TRUTH TABLE FOR MC14597B**

Increment	$\overline{\text{Enable}}$	$\overline{\text{Reset}}$	Address Counter	$\overline{\text{Full}}$
	X	1	Count Up	—
	X	1	No Change	—
X	1	0	Reset to Zero	Set to One
X	0	1	No Change	Set to One
X	1	1	If at ADDRESS 7	To Zero on Falling Edge of STROBE

X = Don't care

**TEST LOAD  
ALL OUTPUTS**



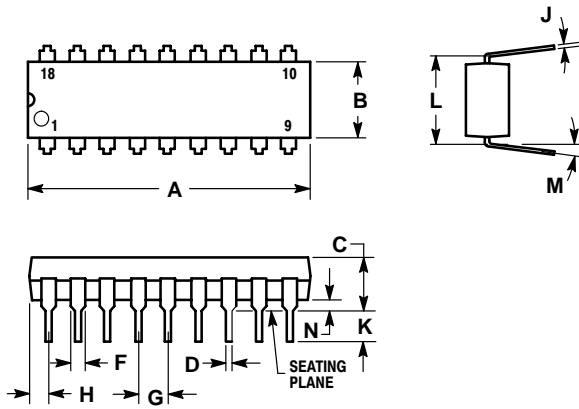
Circuit diagrams external to or containing Motorola products are included as a means of illustration only. Complete information sufficient for construction purposes may not be fully illustrated. Although the information herein has been carefully checked and is believed to be reliable. Motorola assumes no responsibility for inaccuracies. Information herein does not convey to the purchaser any license under the patent rights of Motorola or others.

The information contained herein is for guidance only, with no warranty of any type, expressed or implied. Motorola reserves the right to make any changes to the information and the product(s) to which the information applies and to discontinue manufacture of the product(s) at any time.

# MC14598B

## PACKAGE DIMENSIONS

PDIP-18  
P SUFFIX  
PLASTIC DIP PACKAGE  
CASE 707-02  
ISSUE C



NOTES:

1. POSITIONAL TOLERANCE OF LEADS (D), SHALL BE WITHIN 0.25 (0.010) AT MAXIMUM MATERIAL CONDITION, IN RELATION TO SEATING PLANE AND EACH OTHER.
2. DIMENSION L TO CENTER OF LEADS WHEN FORMED PARALLEL.
3. DIMENSION B DOES NOT INCLUDE MOLD FLASH.
4. CONTROLLING DIMENSION: INCH.

DIM	INCHES		MILLIMETERS	
	MIN	MAX	MIN	MAX
A	0.875	0.915	22.22	23.24
B	0.240	0.260	6.10	6.60
C	0.140	0.180	3.56	4.57
D	0.014	0.022	0.36	0.56
F	0.050	0.070	1.27	1.78
G	0.100 BSC		2.54 BSC	
H	0.040	0.060	1.02	1.52
J	0.008	0.012	0.20	0.30
K	0.115	0.135	2.92	3.43
L	0.300 BSC		7.62 BSC	
M	0°	15°	0°	15°
N	0.020	0.040	0.51	1.02

**ON Semiconductor** and  are trademarks of Semiconductor Components Industries, LLC (SCILLC). SCILLC reserves the right to make changes without further notice to any products herein. SCILLC makes no warranty, representation or guarantee regarding the suitability of its products for any particular purpose, nor does SCILLC assume any liability arising out of the application or use of any product or circuit, and specifically disclaims any and all liability, including without limitation special, consequential or incidental damages. "Typical" parameters which may be provided in SCILLC data sheets and/or specifications can and do vary in different applications and actual performance may vary over time. All operating parameters, including "Typicals" must be validated for each customer application by customer's technical experts. SCILLC does not convey any license under its patent rights nor the rights of others. SCILLC products are not designed, intended, or authorized for use as components in systems intended for surgical implant into the body, or other applications intended to support or sustain life, or for any other application in which the failure of the SCILLC product could create a situation where personal injury or death may occur. Should Buyer purchase or use SCILLC products for any such unintended or unauthorized application, Buyer shall indemnify and hold SCILLC and its officers, employees, subsidiaries, affiliates, and distributors harmless against all claims, costs, damages, and expenses, and reasonable attorney fees arising out of, directly or indirectly, any claim of personal injury or death associated with such unintended or unauthorized use, even if such claim alleges that SCILLC was negligent regarding the design or manufacture of the part. SCILLC is an Equal Opportunity/Affirmative Action Employer.

## PUBLICATION ORDERING INFORMATION

### **NORTH AMERICA Literature Fulfillment:**

Literature Distribution Center for ON Semiconductor  
P.O. Box 5163, Denver, Colorado 80217 USA  
**Phone:** 303-675-2175 or 800-344-3860 Toll Free USA/Canada  
**Fax:** 303-675-2176 or 800-344-3867 Toll Free USA/Canada  
**Email:** ONlit@hibbertco.com  
Fax Response Line: 303-675-2167 or 800-344-3810 Toll Free USA/Canada

**N. American Technical Support:** 800-282-9855 Toll Free USA/Canada

**EUROPE:** LDC for ON Semiconductor – European Support

**German Phone:** (+1) 303-308-7140 (Mon-Fri 2:30pm to 7:00pm CET)  
**Email:** ONlit-german@hibbertco.com  
**French Phone:** (+1) 303-308-7141 (Mon-Fri 2:00pm to 7:00pm CET)  
**Email:** ONlit-french@hibbertco.com  
**English Phone:** (+1) 303-308-7142 (Mon-Fri 12:00pm to 5:00pm GMT)  
**Email:** ONlit@hibbertco.com

**EUROPEAN TOLL-FREE ACCESS\*: 00-800-4422-3781**

\*Available from Germany, France, Italy, UK

### **CENTRAL/SOUTH AMERICA:**

**Spanish Phone:** 303-308-7143 (Mon-Fri 8:00am to 5:00pm MST)  
**Email:** ONlit-spanish@hibbertco.com

**ASIA/PACIFIC:** LDC for ON Semiconductor – Asia Support

**Phone:** 303-675-2121 (Tue-Fri 9:00am to 1:00pm, Hong Kong Time)  
**Toll Free** from Hong Kong & Singapore:  
**001-800-4422-3781**  
**Email:** ONlit-asia@hibbertco.com

**JAPAN:** ON Semiconductor, Japan Customer Focus Center  
4-32-1 Nishi-Gotanda, Shinagawa-ku, Tokyo, Japan 141-0031

**Phone:** 81-3-5740-2745  
**Email:** r14525@onsemi.com

**ON Semiconductor Website:** <http://onsemi.com>

For additional information, please contact your local Sales Representative.