

# FUSEHOLDERS

Bulgin's extensive range of fuseholders are designed to give the degree of protection demanded in today's sophisticated electronic equipment. Carrying world-wide safety approvals from UL, VDE, CSA and IMQ, all types are manufactured from high grade flame retardant nylon and polyester materials.

Designed primarily for 5 x 20mm and 6.3 x 32mm size fuses with protection against shock to categories PC1, PC2 and PC3. There's a choice of styles for in-line, PCB mounting and panel mounting (screw or snap fit) with terminal options for solder, 2.8mm, 4.8mm or 6.3mm tabs or PC spills.

Dust and waterproof designs provide a front of panel seal to IP68 in both 5 x 20mm and 6.3 x 32mm size fuses.

Fuse carrier styles include captive drawer, screw cap - with screw driver release, bayonet cap - with screw driver release and screw cap - with finger release.

Type	Fuse Size (mm)	Page
<b>Captive Carriers</b>		
FX0430	5 x 20	149
FX0460	5 x 20	149
FX0461	5 x 20	158
<b>Panel Mounting</b>		
FX0357	5 x 20	150
FX0359	5 x 20	150
FX0367	5 x 20	150
FX0369/1	5 x 20	150
FX0369/2	5 x 20	150
FX0454	5 x 20	151
FX0454/S	5 x 20	151
FX0455	5 x 20	151
FX0455/S	5 x 20	151
FX0458/1	5 x 20	151
FX0458/2	5 x 20	151
FX0415	6.3 x 32	152
FX0415/S	6.3 x 32	152
FX0416	6.3 x 25	152
FX0416/S	6.3 x 25	152
FX0417	6.3 x 32	153
FX0418/1	6.3 x 32	153
FX0418/2	6.3 x 32	153
FX0354	5 x 20	154
FX0354/S	5 x 20	154
FX0296	5 x 20	155
FX0296/S	5 x 20	155
FX0296/1	5 x 20	155

Type	Fuse Size (mm)	Page
<b>Panel Mounting - IP66 and IP68</b>		
FX0419	6.3 x 32	156
FX0462	5 x 20	156
FX0463	5 x 20	156
FX0345	5 x 20	157
FX0345/A	5 x 20	157
FX0365	5 x 20	157
FX0365/A	5 x 20	157
<b>PC Mounting</b>		
FX0461	5 x 20	158
FX0456	5 x 20	158
FX0457	5 x 20	158
FX0330	5 x 20	158
FX0342	5 x 20	158
FX0442	5 x 20	159
FX0443	5 x 20	159
FX0321	5 x 20	160
<b>Base Mounting</b>		
FX0267	5 x 20	160
FX0360	5 x 20	160
FX0326	6.3 x 32	161
FX0331	6.3 x 25	161
FX0327	6.3 x 32	161
<b>In-Line Fuseholders</b>		
FX0180	6.3 x 32	162
FX0185	6.3 x 32	162
FX0280	6.3 x 25	162
FX0285	6.3 x 25	162
FX0380	5 x 20	162
FX0385	5 x 20	162
<b>Fuseholder Accessories</b>		
		163

## Protection Categories

### Category PC1:

No integral protection against electric shock. If required, Designers/Manufacturers must provide additional protection against electric shock on equipment.

### Category PC2:

With integral protection against electric shock. Fuseholders shall have live parts inaccessible to IEC 60529 Standard Test Finger, when fully assembled, without fuse carrier or fuse in place and when fuse carrier, with fuse is being inserted or withdrawn.

### Category PC3:

With integral protection against electric shock. Fuseholders shall have live parts inaccessible to IEC 60529 1 mm dia. rigid test wire when fully assembled, without fuse carrier or fuse in place and when fuse carrier, with fuse, is being inserted or withdrawn.

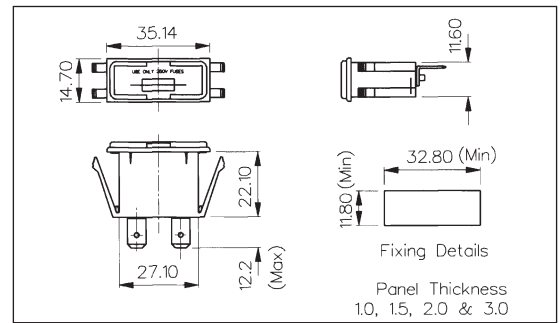
For full definitions see IEC 60127-6 : 1994 Clause 9

**Panel/PC Mounting Captive Carriers Touchproof, PC3**

**SNAP FIT TO PANEL**



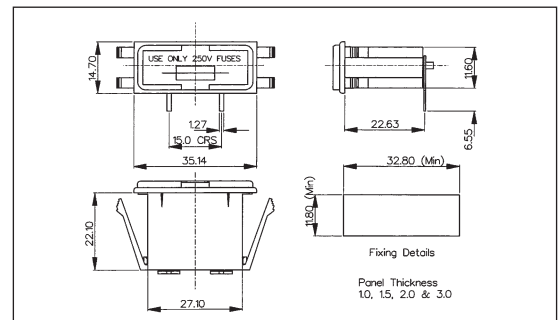
- Protection Category PC3
- Fuse Size 5 x 20mm
- Panel Sizes 1.0, 1.5, 2.0 and 3.0mm
- Captive Drawer
- 10A, 250V (16A, 250V UL)
- 2.8, 4.8 or 6.3 tabs



**SNAP FIT TO PANEL**



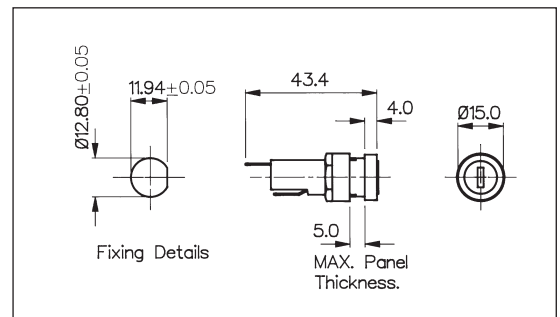
- Protection Category PC3
- Fuse Size 5 x 20mm
- Panel Sizes 1.0, 1.5, 2.0 and 3.0mm
- Captive Drawer
- 10A, 250V (16A, 250V UL)
- PC spills



**PANEL MOUNT**



- Protection Category PC3
- Fuse Size 5 x 20mm
- Screw Cap/Screwdriver Release
- Captive Fuse Carrier
- 10A, 250V (16A, 250V UL)



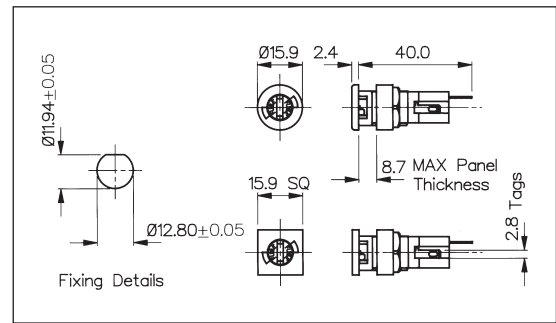
Specification	FX0430/Termination	FX0430/PC	FX0460
Fuse Size:	5 x 20mm	5 x 20mm	5 x 20mm
Fuse Carrier:	Captive Drawer	Captive Drawer	Screw cap/Screwdriver release
Terminations:	/28 (2.8mm solder), /48 (4.8mm tab), /63 (6.3mm tab)	/PC (PC spills)	Solder tags
Max. Rating:	10A, 250V (16A, 250V a.c. UL)	10A, 250V (16A, 250V a.c. UL)	10A, 250V (16A, 250V a.c. UL)
Max. Power Dissipation:	2.5W (@ 23°C)	2.5W (@ 23°C)	1.6W (@ 23°C)
Insulation Resistance:	>10MΩ @ 500V d.c.	>10MΩ @ 500V d.c.	>10MΩ @ 500V d.c.
A.C. Breakdown:	>2kV	>2kV	>2kV
Contact Resistance:	<10mΩ	<10mΩ	<10mΩ
Operating Temp:	-20°C to +85°C (ambient air temp + fuse temp rise)	-20°C to +85°C (ambient air temp + fuse temp rise)	-20°C to +85°C (ambient air temp + fuse temp rise)
Moldings:			
Body/Drawer:	Nylon UL94V-0 rated	Nylon UL94V-0 rated	Polyester UL94V-0 rated
Cap:			Nylon UL94V-0 rated
Nut:			Glass Filled Nylon UL94V-0 rated
Contacts:	Contact tags: Brass, Tin Plated Fuse Clips: Phosphor Bronze, Nickel Plated	Contact tags: Brass, Tin Plated Fuse Clips: Phosphor Bronze, Nickel Plated	Brass, Silver Plated
Approvals:		pending	
Accessories:			P.No. 11327 (See page 163)
Note:			See page 164 for PC version
<b>RoHS</b>	Compliant	Compliant	Compliant

## Panel Mounting and Snap Fit Touchproof, PC2

### PANEL MOUNT



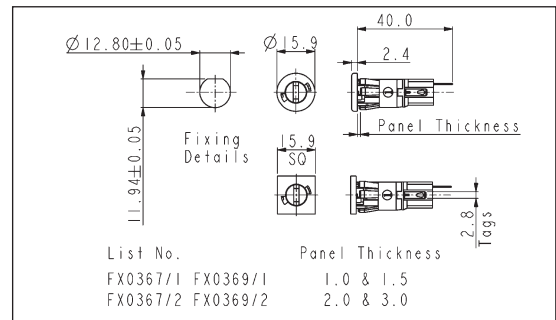
- Protection Category PC2
- Fuse Size 5 x 20mm
- Bayonet Cap/Screwdriver Release
- 10A, 250V (16A, 250V UL)



### SNAP FIT TO PANEL



- Protection Category PC2
- Fuse Size 5 x 20mm
- Panel Sizes 1.0 & 1.5 and 2.0 & 3.0mm
- Bayonet Cap/Screwdriver Release
- 10A, 250V (16A, 250V UL)



### Specification


#### FX0357, FX0359

#### FX0367/Panel, FX0369/Panel

<b>Fuse Size:</b>	5 x 20mm	5 x 20mm
<b>Panel Size:</b>	-	/1 (1.0-1.5mm panel, black sleeve) /2 (2.0-3.0mm panel, grey sleeve)
<b>Fuse Carrier:</b>	Bayonet cap/Screwdriver release	Bayonet cap/Screwdriver release
<b>Terminations:</b>	Solder tags	Solder tags
<b>Max. Rating:</b>	10A, 250V (16A, 250V a.c. UL)	10A, 250V (16A, 250V a.c. UL)
<b>Max. Power Dissipation:</b>	2.5W (@ 23°C)	2.5W (@ 23°C)
<b>Insulation Resistance:</b>	>10 <sup>2</sup> MΩ @ 500V d.c.	>10 <sup>2</sup> MΩ @ 500V d.c.
<b>A.C. Breakdown:</b>	7kV @ 50Hz	7kV @ 50Hz
<b>Contact Resistance:</b>	<10mΩ	<10mΩ
<b>Operating Temp:</b>	-20°C to +85°C (ambient air temp + fuse temp rise)	-20°C to +85°C (ambient air temp + fuse temp rise)
<b>Mouldings:</b>		
Body:	Polyester UL94V-0 rated	Polyester UL94V-0 rated
Cap:	Nylon UL94V-0 rated	Nylon UL94V-0 rated
Nut:	Glass Filled Nylon UL94V-0 rated	
<b>Contacts:</b>	Brass, Silver Plated	Brass, Silver Plated
<b>Approvals:</b>		
<b>Accessories:</b>	P.No. 11327 (See page 163)	P.No. 11327 (See page 163)
<b>RoHS</b>	Compliant	Compliant

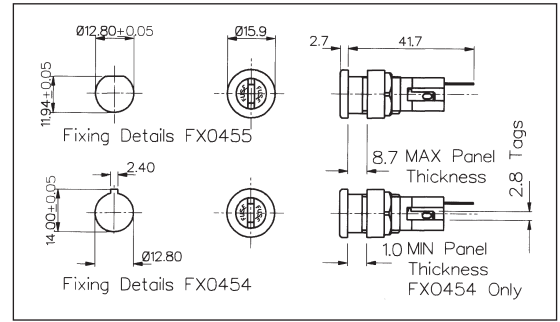
**Panel Mounting and Snap Fit Touchproof, PC2**

**PANEL MOUNT**



**FX0454, FX0455**

- Protection Category PC2
- Fuse Size 5 x 20mm
- Screw Cap/Screwdriver Release
- Keyway Panel Cutout (FX0454)
- D Panel Cutout (FX0455)
- 10A, 250V (16A, 250V UL)

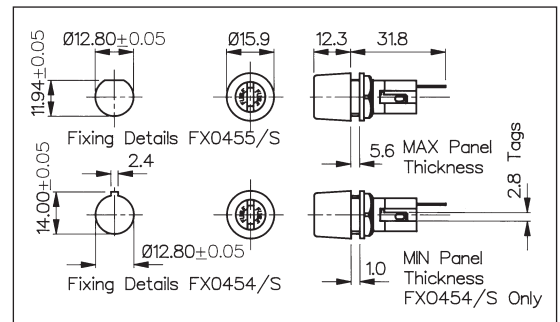


**PANEL MOUNT**



**FX0454/S, FX0455/S**

- Protection Category PC2
- Fuse Size 5 x 20mm
- Screw Cap/Screwdriver Release
- High Profile Bezel
- Keyway Panel Cutout (FX0454/S)
- D Panel Cutout (FX0455/S)
- 10A, 250V (16A, 250V UL)

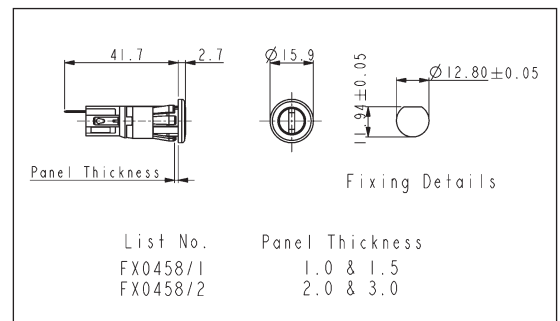


**SNAP FIT TO PANEL**



**FX0458**

- Protection Category PC2
- Fuse Size 5 x 20mm
- Panel Sizes 1.0 & 1.5 and 2.0 & 3.0mm
- Screw Cap/Screwdriver Release
- 10A, 250V (16A, 250V UL)



Specification	FX0454, FX0455	FX0454/S, FX0455/S	FX0458/Panel
Fuse Size:	5 x 20mm	5 x 20mm	5 x 20mm
Panel Size:	-	-	/1 (1.0-1.5mm panel, black sleeve) /2 (2.0-3.0mm panel, grey sleeve)
Fuse Carrier:	Screw cap/Screwdriver release	Screw cap/Screwdriver release	Screw cap/Screwdriver release
Terminations:	Solder tags	Solder tags	Solder tags
Max. Rating:	10A, 250V (16A, 250V a.c. UL)	10A, 250V (16A, 250V a.c. UL)	10A, 250V (16A, 250V a.c. UL)
Max. Power Dissipation:	2.5W (@ 23°C)	2.5W (@ 23°C)	2.5W (@ 23°C)
Insulation Resistance:	>10 <sup>2</sup> MΩ @ 500V d.c.	>10 <sup>2</sup> MΩ @ 500V d.c.	>10 <sup>2</sup> MΩ @ 500V d.c.
A.C. Breakdown:	7kV @ 50Hz	7kV @ 50Hz	>7kV @ 50Hz
Contact Resistance:	<10mΩ	<10mΩ	<10mΩ
Operating Temp:	-20°C to +85°C (ambient air temp + fuse temp rise)	-20°C to +85°C (ambient air temp + fuse temp rise)	-20°C to +85°C (ambient air temp + fuse temp rise)
Mouldings:			
Body:	Polyester UL94V-0 rated	Polyester UL94V-0 rated	Polyester UL94V-0 rated
Cap:	Nylon UL94V-0 rated	Nylon UL94V-0 rated	Nylon UL94V-0 rated
Nut:	Glass Filled Nylon UL94V-0 rated	Glass Filled Nylon UL94V-0 rated	
Contacts:	Brass, Silver Plated	Brass, Silver Plated	Brass, Silver Plated
Approvals:			
Accessories:	P.Nos. 11327, 12297 & 12298 (See page 163)	P.Nos. 11327, 12297 & 12298 (See page 163)	P.No. 11327 (See page 163)
<b>RoHS</b>	Compliant	Compliant	Compliant

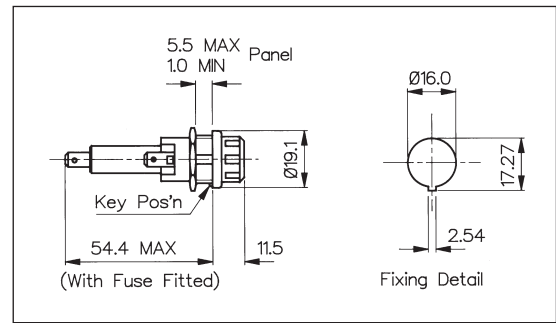
## Panel Mounting Touchproof, PC2

### PANEL MOUNT



**FX0415, FX0416**

- Protection Category PC2
- Fuse Sizes:  
6.3 x 32mm (FX0415)  
6.3 x 25mm (FX0416)
- Screw Cap/Hand Release
- 13A, 250V (16A, 250V UL)

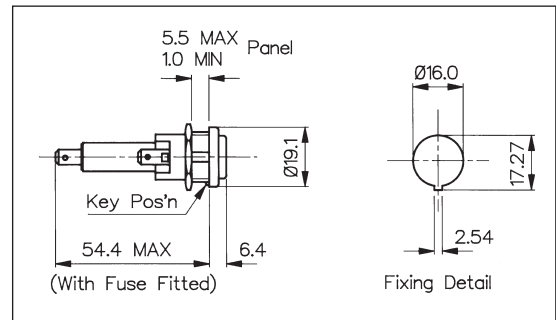


### PANEL MOUNT



**FX0415/S, FX0416/S**

- Protection Category PC2
- Fuse Sizes:  
6.3 x 32mm (FX0415/S)  
6.3 x 25mm (FX0416/S)
- Screw Cap/Screwdriver Release
- 13A, 250V (16A, 250V UL)



### Specification

#### FX0415, FX0416

#### FX0415/S, FX0416/S

<b>Fuse Size:</b>	FX0415 - 6.3 x 32mm FX0416 - 6.3 x 25mm	FX0415/S - 6.3 x 32mm FX0416/S - 6.3 x 25mm
<b>Fuse Carrier:</b>	Screw cap/Hand release	Screw cap/Screwdriver release
<b>Terminations:</b>	4.8 series tabs	4.8 series tabs
<b>Max. Rating:</b>	13A, 250V (16A, 250V UL)	13A, 250V (16A, 250V UL)
<b>Max. Power Dissipation:</b>	4W (@ 23°C)	4W (@ 23°C)
<b>Insulation Resistance:</b>	>10 <sup>5</sup> MΩ @ 500V d.c.	>10 <sup>5</sup> MΩ @ 500V d.c.
<b>A.C. Breakdown:</b>	4kV @ 50Hz	4kV @ 50Hz
<b>Contact Resistance:</b>	<5mΩ	<5mΩ
<b>Operating Temp:</b>	-20°C to +85°C (ambient air temp + fuse temp rise)	-20°C to +85°C (ambient air temp + fuse temp rise)
<b>Mouldings:</b>		
Body:	Glass Filled Nylon UL94V-0 rated	Glass Filled Nylon UL94V-0 rated
Cap:	Nylon UL94V-0 rated	Nylon UL94V-0 rated
Sleeve:	Polyester UL94V-0 rated	Polyester UL94V-0 rated
<b>Contacts:</b>	Brass, Silver Plated	Brass, Silver Plated
<b>Approvals:</b>		
<b>Accessories:</b>	P.No. 12932 (See page 163)	P.No. 12932 (See page 163)
<b>RoHS</b>	Compliant	Compliant

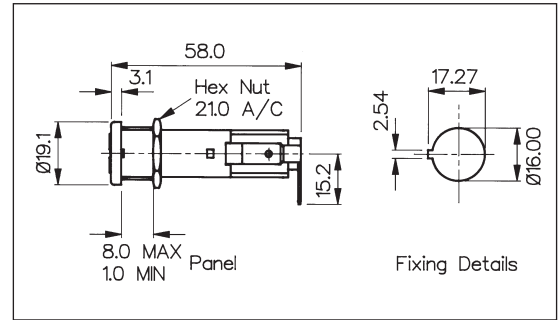
Panel Mounting and Snap Fit Touchproof, PC2

PANEL MOUNT

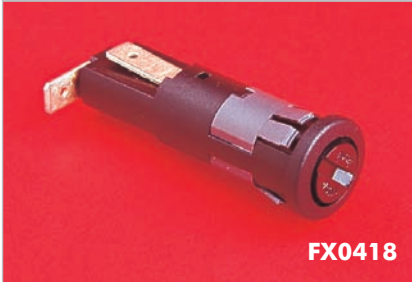


**FX0417**

- Protection Category PC2
- Fuse Size 6.3 x 32mm
- Screw Cap/Screwdriver Release
- 16A, 250V (20A, 250V UL)

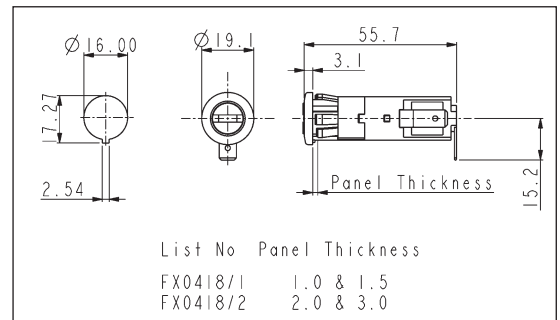


SNAP FIT TO PANEL



**FX0418**

- Protection Category PC2
- Fuse Size 6.3 x 32mm
- Panel Sizes 1.0 & 1.5 and 2.0 & 3.0mm
- Screw Cap/Screwdriver Release
- 16A, 250V (20A, 250V UL)



Specification	FX0417	FX0418/Panel
Fuse Size:	6.3 x 32mm	6.3 x 32mm
Panel Size:	-	/1 (1.0-1.5mm panel, black sleeve) /2 (2.0-3.0mm panel, grey sleeve)
Fuse Carrier:	Screw cap/Screwdriver release	Screw cap/Screwdriver release
Terminations:	6.3 series tabs	6.3 series tabs
Max. Rating:	16A, 250V 20A, 250V a.c. UL	16A, 250V 20A, 250V a.c. UL
Max. Power Dissipation:	4W (@ 23°C)	4W (@ 23°C)
Insulation Resistance:	>10 <sup>6</sup> MΩ @ 500V d.c.	>10 <sup>6</sup> MΩ @ 500V d.c.
A.C. Breakdown:	>2kV	>2kV
Contact Resistance:	<10mΩ	<10mΩ
Operating Temp:	-20°C to +85°C (ambient air temp + fuse temp rise)	-20°C to +85°C (ambient air temp + fuse temp rise)
Mouldings:		
Body:	Glass Filled Polyester UL94V-0 rated	Glass Filled Polyester UL94V-0 rated
Cap:	Nylon UL94V-0 rated	Nylon UL94V-0 rated
Sleeve:	Polyester UL94V-0 rated	Polyester UL94V-0 rated
Contacts:	Brass, Silver Plated	Brass, Silver Plated
Approvals:		
RoHS	Compliant	Compliant

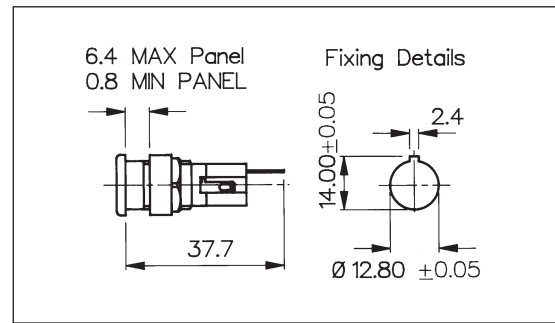
## Panel Mounting, PC2

### PANEL MOUNT



**FX0354**

- Protection Category PC2
- Low Profile Bezel
- Fuse Size 5 x 20mm
- Screw Cap/Screwdriver Release
- Keyway Panel Cutout
- 6.3A, 250V

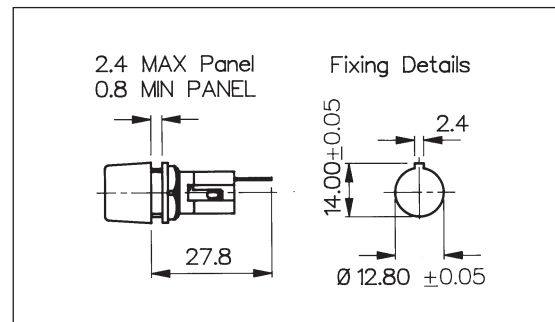


### PANEL MOUNT



**FX0354/S**

- Protection Category PC2
- High Profile Bezel
- Fuse Size 5 x 20mm
- Screw Cap/Screwdriver Release
- Keyway Panel Cutout
- 6.3A, 250V



### Specification

#### FX0354

#### FX0354/S

Fuse Size:	5 x 20mm	5 x 20mm
Fuse Carrier:	Screw cap/Screwdriver release	Screw cap/Screwdriver release
Terminations:	Solder tags	Solder tags
Max. Rating:	6.3A, 250V	6.3A, 250V
Max. Power Dissipation:	2.5W (@ 23°C)	2.5W (@ 23°C)
Insulation Resistance:	>10 <sup>2</sup> MΩ @ 500V d.c.	>10 <sup>2</sup> MΩ @ 500V d.c.
A.C. Breakdown:	5kV @ 50Hz	5kV @ 50Hz
Contact Resistance:	<10mΩ	<10mΩ
Operating Temp:	-20°C to +85°C (ambient air temp + fuse temp rise)	-20°C to +85°C (ambient air temp + fuse temp rise)
Mouldings:		
Body:	Polyester UL94V-0 rated	Polyester UL94V-0 rated
Cap:	Nylon UL94V-0 rated	Nylon UL94V-0 rated
Nut:	Glass Filled Nylon UL94V-0 rated	Glass Filled Nylon UL94V-0 rated
Contacts:	Brass, Silver Plated	Brass, Silver Plated
Approvals:		
Accessories:	P.No. 11327 and 12298 (See page 163)	P.No. 11327 and 12297 (See page 163)
<b>RoHS</b>	Compliant	Compliant

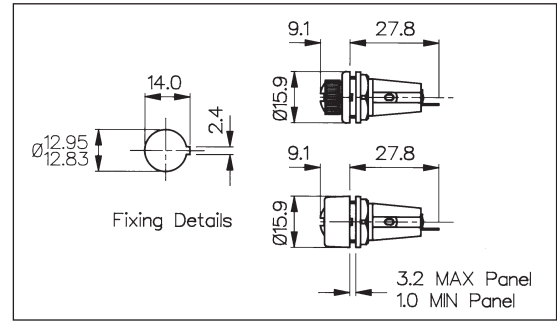


Panel Mounting, PC1

**PANEL MOUNT**



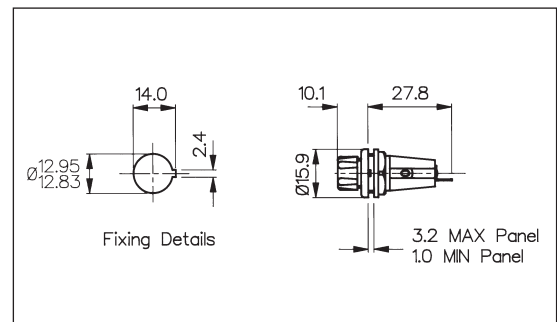
- Protection Category PC1
- Fuse Size 5 x 20mm
- Screw Cap/Hand Release
- 6.3A, 250V



**PANEL MOUNT**



- Protection Category PC1
- Fuse Size 5 x 20mm
- Screw Cap/Hand Release
- 6.3A, 250V



Specification	FX0296, FX0296/S	FX0296/1
Fuse Size:	5 x 20mm	5 x 20mm
Fuse Carrier:	FX0296 Screw cap/Hand release FX0296/S Screw cap/Screwdriver release	Screw cap/Hand release
Terminations:	Solder tags	Solder tags
Max. Rating:	6.3A, 250V	6.3A, 250V
Max. Power Dissipation:	2.5W (@ 23°C)	2.5W (@ 23°C)
Insulation Resistance:	>10 <sup>5</sup> MΩ @ 500V d.c.	>10 <sup>5</sup> MΩ @ 500V d.c.
A.C. Breakdown:	2.5kV @ 50Hz	2.5kV @ 50Hz
Contact Resistance:	<5mΩ	<5mΩ
Operating Temp:	-20°C to +85°C (ambient air temp + fuse temp rise)	-20°C to +85°C (ambient air temp + fuse temp rise)
Mouldings:		
Body:	Glass Filled Nylon UL94V-0 rated	Glass Filled Nylon UL94V-0 rated
Cap:	Nylon UL94V-0 rated	Nylon UL94V-0 rated
Nut:	Glass Filled Nylon UL94V-0 rated	Glass Filled Nylon UL94V-0 rated
Contacts:	Brass, Silver or Tin Plated	Brass, Silver or Tin Plated
Accessories:	P.No. 9820 (See page 163)	P.No. 9820 (See page 163)
<b>RoHS</b>	Compliant	Compliant

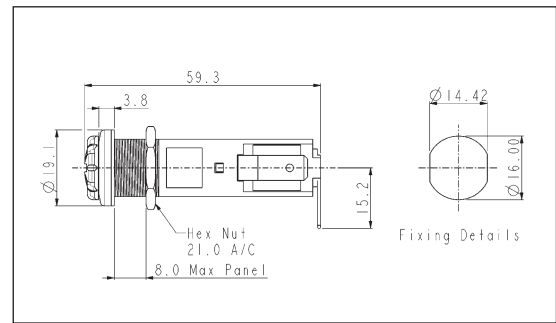
## Panel Mounting Touchproof, Sealed to IP68, PC2

### PANEL MOUNT



**FX0419**

- Panel Sealed to IP68
- Touchproof Category PC2
- Fuse Size 6.3 x 32mm
- Screw Cap/Screwdriver/Hand Release
- 16A, 250V ac

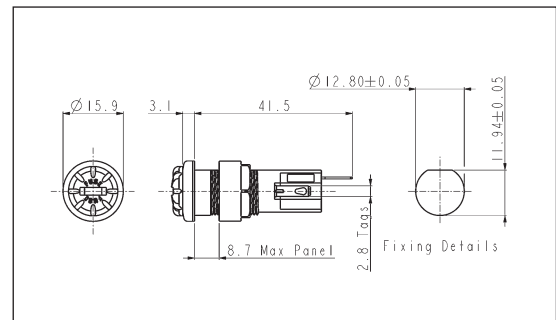


### PANEL MOUNT



**FX0462**

- Panel Sealed to IP68
- Touchproof Category PC2
- Fuse Size 5 x 20mm
- Screw Cap/Screwdriver/Hand Release
- 10A, 250V ac

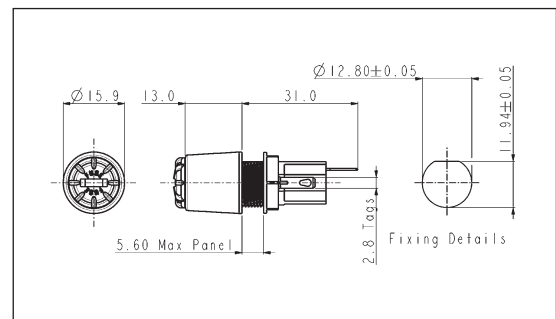


### PANEL MOUNT



**FX0463**

- Panel Sealed to IP68
- Touchproof Category PC2
- Fuse Size 5 x 20mm
- High Profile Bezel
- Screw Cap/Screwdriver/Hand Release
- 10A, 250V ac



Specification	FX0419	FX0462	FX0463
Fuse Size:	6.3 x 32mm	5 x 20mm	5 x 20mm
Fuse Carrier:	Screw cap/Screwdriver/Hand release	Screw cap/Screwdriver/Hand release	Screw cap/Screwdriver/Hand release
Terminations:	6.3 series tabs	Solder tags	Solder tags
Max. Rating:	16A, 250V ac	10A, 250V ac	10A, 250V ac
Max. Power Dissipation:	2.5W (@ 23°C)	2.5W (@ 23°C)	2.5W (@ 23°C)
Insulation Resistance:	>10 <sup>6</sup> MΩ @ 500V d.c.	>10 <sup>2</sup> MΩ @ 500V d.c.	>10 <sup>2</sup> MΩ @ 500V d.c.
A.C. Breakdown:	>2kV @ 50Hz	7kV @ 50Hz	7kV @ 50Hz
Contact Resistance:	<10mΩ	<10mΩ	<10mΩ
Operating Temp:	-20°C to +85°C (ambient air temp + fuse temp rise)	-20°C to +85°C (ambient air temp + fuse temp rise)	-20°C to +85°C (ambient air temp + fuse temp rise)
Mouldings:			
Body:	Polyester UL94V-0 rated	Polyester UL94V-0 rated	Polyester UL94V-0 rated
Cap:	Nylon UL94V-0 rated	Nylon UL94V-0 rated	Nylon UL94V-0 rated
Nut:	Glass Filled Nylon UL94V-0 rated	Glass Filled Nylon UL94V-0 rated	Glass Filled Nylon UL94V-0 rated
Contacts:	Brass, Silver Plated	Brass, Silver Plated	Brass, Silver Plated
Tightening Torque:			
Cap:	0.4 - 0.6Nm (3.54-5.3lbf.in.)	0.4 - 0.6Nm (3.54-5.3lbf.in.)	0.4 - 0.6Nm (3.54-5.3lbf.in.)
Panel Nut:	0.5Nm (4.4lbf.in.)	0.5Nm (4.4lbf.in.)	0.5Nm (4.4lbf.in.)
Sealing:	IP68 to EN60529:1992	IP68 to EN60529:1992	IP68 to EN60529:1992
Approvals:			
Accessories:	-	P.Nos. 11327 (See page 163)	P.No. 11327(See page 163)
<b>RoHS</b>	Compliant	Compliant	Compliant

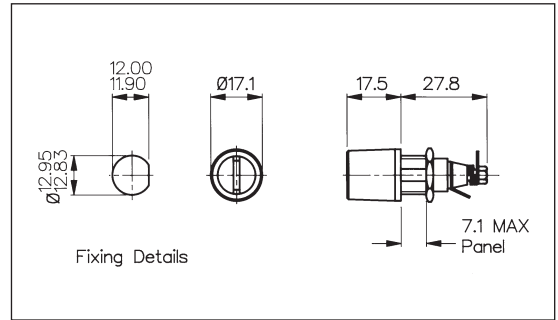
Panel Mounting Sealed to IP66, PC1

HIGH PROFILE PANEL MOUNT



**FX0345**

- Sealed to IP66
- Protection Category PC1
- Fuse Size 5 x 20mm
- Screw Cap/Screwdriver Release
- 6.3A, 250V

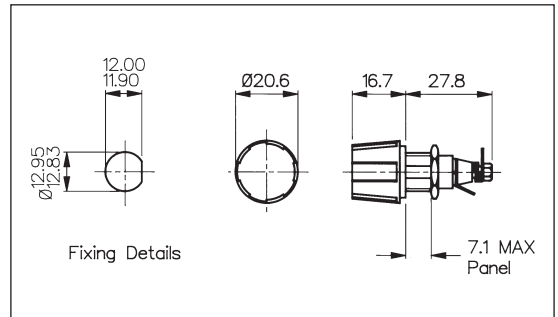


HIGH PROFILE PANEL MOUNT



**FX0365**

- Sealed to IP66
- Protection Category PC1
- Fuse Size 5 x 20mm
- Screw Cap/Hand Release
- Large Cap for Easy Grip
- 6.3A, 250V

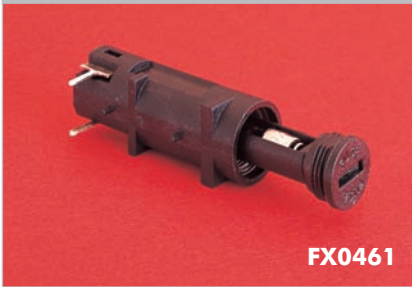


Specification	FX0345, FX0345/A	FX0365, FX0365/A
Fuse Size:	5 x 20mm	5 x 20mm
Fuse Carrier:	Screw cap/Screwdriver release	Screw cap/Hand release. Large ribbed cap allows removal with gloved hand
Terminations:	Solder tags	Solder tags
Max. Rating:	6.3A, 250V	6.3A, 250V
Max. Power Dissipation:	4W (@ 23°C)	4W (@ 23°C)
Insulation Resistance:	>10 <sup>3</sup> MΩ @ 500V d.c.	>10 <sup>3</sup> MΩ @ 500V d.c.
A.C. Breakdown:	>3.5kV @ 50Hz	>3.5kV @ 50Hz
Contact Resistance:	<10mΩ	<10mΩ
Operating Temp:	-20°C to +85°C (ambient air temp + fuse temp rise)	-20°C to +85°C (ambient air temp + fuse temp rise)
Mouldings:		
Body & Cap:	Glass Filled Nylon UL94V-0 rated	Glass Filled Nylon UL94V-0 rated
Spacer:	Glass Filled Nylon UL94HB rated	Glass Filled Nylon UL94HB rated
Insulating Sleeve:	Nylon UL94V-0 rated	Nylon UL94V-0 rated
Contacts:	Brass, Silver Plated	Brass, Silver Plated
Sealing:	Protection Classification IP66 to BS 60529:1992 Retains sealing integrity with cap removed since they are both panel and barrier sealed	
Variants:	/A Silicone 'O' ring, Op. Temp. -55°C to +85°C	/A Silicone 'O' ring, Op. Temp. -55°C to +85°C
<b>RoHS</b>	Compliant	Compliant

FUSEHOLDERS

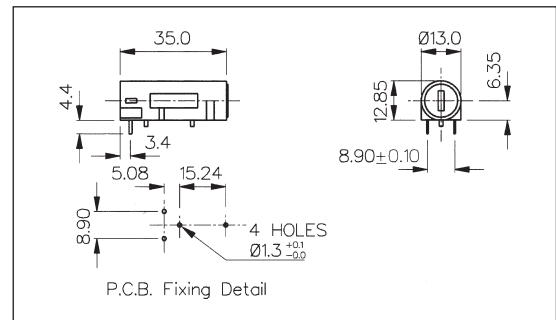
## PC Mounting PC1, PC2 and PC3

### PC HORIZONTAL MOUNT



- Protection Category PC3
- Fuse Size 5 x 20mm
- Screw Cap/Screwdriver Release
- Captive Fuse Carrier
- PC Spills
- 10A, 250V (16A, 250V UL)

**FX0461**



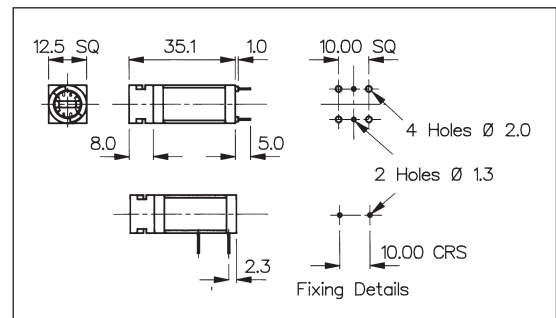
### PC HORIZONTAL AND VERTICAL MOUNT



- Protection Category PC2
- Fuse Sizes 5 x 20mm
- Bayonet Cap/Screwdriver Release
- 10A, 250V

**FX0457**

**FX0456**



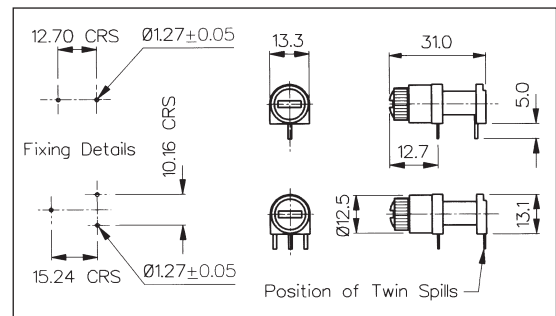
### PC HORIZONTAL MOUNT



- Protection Category PC1
- Fuse Size 5 x 20mm
- Two or Three PC Spills
- Screw Cap/Hand Release
- 6.3A, 250V

**FX0330**

**FX0342**



Specification	FX0461	FX0456, FX0457	FX0330, FX0342
Fuse Size:	5 x 20mm	5 x 20mm	5 x 20mm
Fuse Carrier:	Screw cap/Screwdriver release	Bayonet cap/Screwdriver release	Screw cap/Hand release
Terminations:	PC Spills	PC Spills	FX0330 - 3 PC Spills FX0342 - 2 PC Spills
Max. Rating:	10A, 250V (16A, 250V a.c. UL)	10A, 250V	6.3A, 250V
Max. Power Dissipation:	1.6W (@ 23°C)	2.5W (@ 23°C)	2.5W (@ 23°C)
Insulation Resistance:	>10MΩ @ 500V d.c.	>10 <sup>2</sup> MΩ @ 500V d.c.	>10 <sup>4</sup> MΩ @ 500V d.c.
A.C. Breakdown:	>2kV	4kV @ 50Hz	6kV @ 50Hz
Contact Resistance:	<10mΩ	<10mΩ	<5mΩ
Operating Temp: (ambient air temp + fuse temp rise)	-20°C to +85°C	-20°C to +85°C	-20°C to +85°C
Mouldings:			
Body:	Polyester UL94V-0 rated	Polyester UL94V-0 rated	Glass Filled Nylon UL94V-0 rated
Cap:	Nylon UL94V-0 rated	Nylon UL94V-0 rated	Nylon UL94V-0 rated
End Bung:		Polyester UL94V-0 rated	
Contacts:	Brass, Silver Plated	Brass, Silver Plated	Brass, Tin Plated
Approvals:			
<b>RoHS</b>	Compliant	Compliant	Compliant

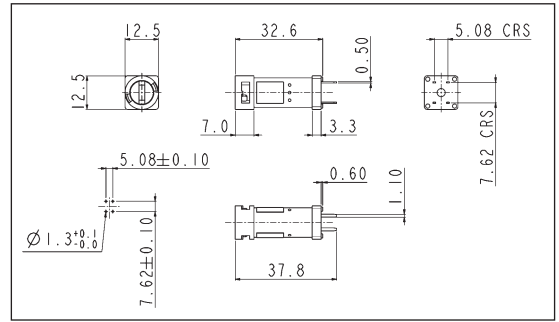
**PC Mounting PC2**

**PC VERTICAL MOUNT**



**FX0442**

- Protection Category PC2
- Fuse Size 5 x 20mm
- Bayonet cap/Screwdriver Release
- PC Spills
- 10A, 250V

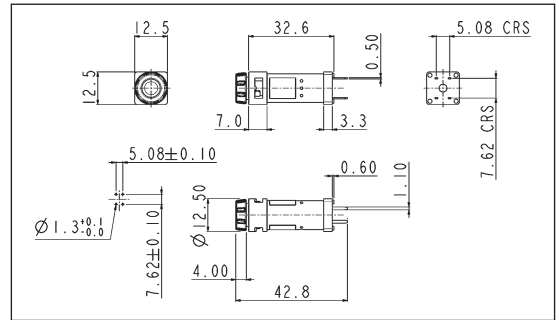


**PC VERTICAL MOUNT**



**FX0443**

- Protection Category PC2
- Fuse Size 5 x 20mm
- Bayonet cap/Hand Release
- PC Spills
- 10A, 250V

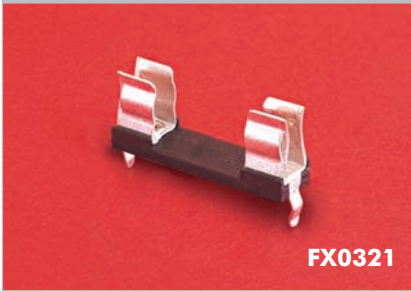


Specification	FX0442	FX0443
Fuse Size:	5 x 20mm	5 x 20mm
Fuse Carrier:	Bayonet cap/Screwdriver release	Bayonet cap/Hand release
Terminations:	PC Spills	PC Spills
Max. Rating:	10A, 250V	10A, 250V
Max. Power Dissipation:	2.5W (@ Ta 23°C)	2.5W (@ Ta 23°C)
Insulation Resistance:	>10MΩ @ 500V d.c.	>10MΩ @ 500V d.c.
A.C. Breakdown:	>2kV	>2kV
Contact Resistance:	<10mΩ	<10mΩ
Operating Temp: (ambient air temp + fuse temp rise)	-20°C to +85°C	-20°C to +85°C
Mouldings:		
Body:	Polyester UL94V-0 rated	Polyester UL94V-0 rated
Cap:	Nylon UL94V-0 rated	Nylon UL94V-0 rated
Contacts:	Tin plated, copper alloy	Tin plated, copper alloy
Approvals:		
<b>RoHS</b>	Compliant	Compliant

FUSEHOLDERS

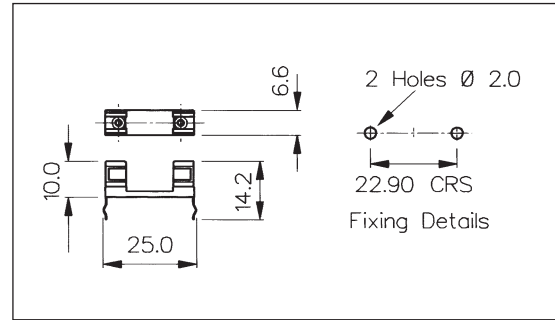
## PC and Base Mounting, PC1

### PC MOUNT

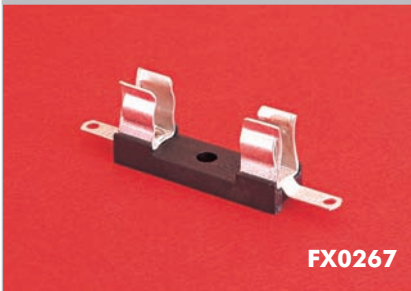


- Protection Category PC1
- Fuse Size 5 x 20mm
- PC Spills
- 6.3A, 250V

**FX0321**

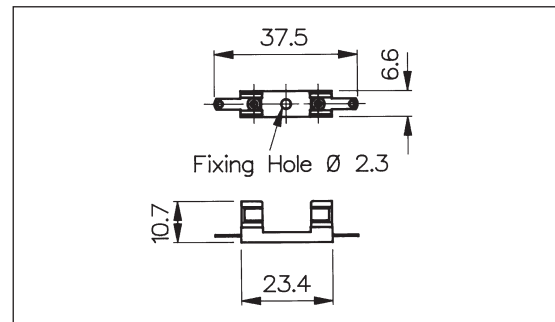


### BASE MOUNT

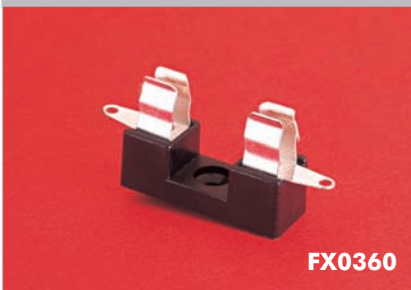


- Protection Category PC1
- Fuse Size 5 x 20mm
- Solder Tags
- 6.3A, 250V

**FX0267**

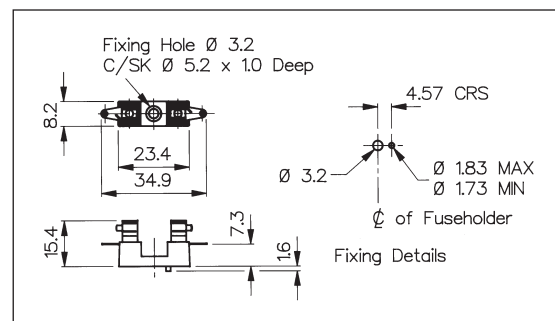


### BASE MOUNT



- Protection Category PC1
- Fuse Size 5 x 20mm
- Solder Tags
- 6.3A, 250V

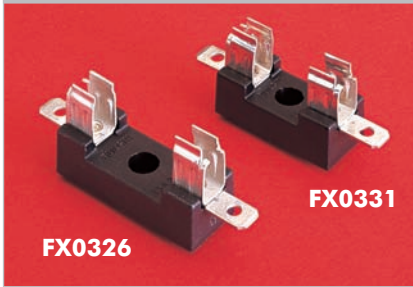
**FX0360**



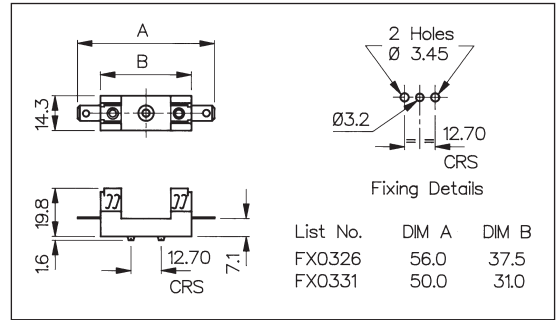
Specification	FX0321	FX0267	FX0360
Fuse Size:	5 x 20mm	5 x 20mm	5 x 20mm
Terminations:	PC Spills	Solder tags	Solder tags
Max. Rating:	6.3A, 250V	6.3A, 250V	6.3A, 250V
Insulation Resistance:	>10 <sup>5</sup> MΩ @ 500V d.c.	>10 <sup>5</sup> MΩ @ 500V d.c.	>10 <sup>4</sup> MΩ @ 500V d.c.
A.C. Breakdown:	7kV @ 50Hz (Clip to clip)	1.5kV @ 50Hz	2kV @ 50Hz
Contact Resistance:	<10mΩ	<10mΩ	<10mΩ
Operating Temp: (ambient air temp + fuse temp rise)	-20°C to +85°C	-20°C to +85°C	-20°C to +85°C
Base Material:	Glass Filled Nylon UL94V-0 rated	Glass Filled Nylon UL94V-0 rated	Glass Filled Nylon UL94HB rated
Contacts:	Phosphor Bronze, Tin Plated	Phosphor Bronze, Tin Plated	Phosphor Bronze, Tin Plated
Accessories:	P.No. 12760 (See page 163)	P.No. 12760 (See page 163)	
<b>RoHS</b>	Compliant	Compliant	Compliant

**Base Mounting, PC1**

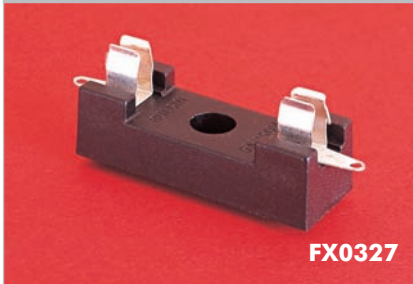
**BASE MOUNT**



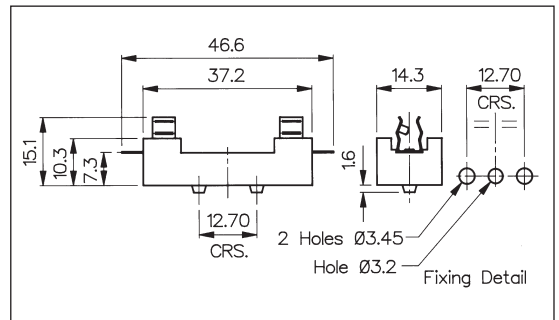
- Protection Category PC1
- Fuse Sizes:  
6.3 x 32mm (FX0326)  
6.3 x 25mm (FX0331)
- Solder Tags
- 13A, 250V



**BASE MOUNT**



- Protection Category PC1
- Fuse Size 6.3 x 32mm
- Solder Tags
- 5A, 250V



Specification	FX0326, FX0331	FX0327
Fuse Size:	FX0326 - 6.3 x 32mm FX0331 - 6.3 x 25mm	6.3 x 32mm
Terminations:	6.3 series tabs	Solder tags
Max. Rating:	13A, 250V	5A, 250V
Insulation Resistance:	>10 <sup>4</sup> MΩ @ 500V d.c.	>10 <sup>5</sup> MΩ @ 500V d.c.
A.C. Breakdown:	5kV @ 50Hz	5kV @ 50Hz
Contact Resistance:	<5mΩ	<10mΩ
Operating Temp: (ambient air temp + fuse temp rise)	-20°C to +85°C	-20°C to +85°C
Base Material:	Glass Filled Polyester UL94V-0 rated	Glass Filled Polyester UL94V-0 rated
Contacts:	Clips: Phosphor Bronze, Tin Plated Tabs: Brass, Tin Plated	Phosphor Bronze, Tin Plated
<b>RoHS</b>	Compliant	Compliant

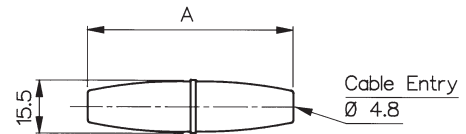
## In-Line PC1 and In-Line Sealed to IP66, PC1

### IN-LINE



**FX0180, FX0280, FX0380**

- Protection Category PC1
- Fuse Sizes 5 x 20mm, 6.3 x 25mm and 6.3 x 32mm
- Screw Terminal (Solder to order)
- 10A, 50V (250V Inaccessible)
- UL Approved
- Clear or black



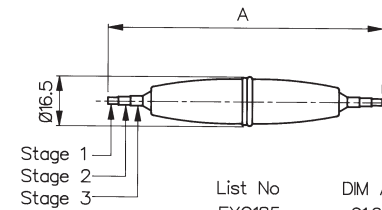
List No.	DIM A
FX0180	60.3
FX0280	54.5
FX0380	48.6

### IN-LINE



**FX0185, FX0285, FX0385**

- Sealed to IP66
- Protection Category PC1
- Fuse Sizes 5 x 20mm, 6.3 x 25mm and 6.3 x 32mm
- Screw Terminal (Solder to order)
- 10A, 50V (250V Inaccessible)
- UL Approved
- Clear or black



List No.	DIM A
FX0185	91.0
FX0285	85.2
FX0385	79.2

Specification	FX0180, FX0280, FX0380/Colour	FX0185, FX0285, FX0385/Colour
Fuse Size:	5 x 20mm FX0380 6.3 x 25mm FX0280 6.3 x 32mm FX0180	5 x 20mm FX0385 6.3 x 25mm FX0285 6.3 x 32mm FX0185
Cable Acceptance:	1mm <sup>2</sup> conductor (max.)	1mm <sup>2</sup> conductor (max.) 1mm to 2.64mm overall diameter Stepped grommet: Stage 1: 1.00mm to 1.40mm Stage 2: 1.50mm to 1.90mm Stage 3: 2.0mm to 2.64mm
Terminations:	Screw terminal (solder to order)	Screw Terminal (solder to order)
Max. Rating:	10A, 50V (250V where inaccessible inside equipment)	10A, 50V (250V where inaccessible inside equipment)
Insulation Resistance:	>10 <sup>5</sup> MΩ @ 500V d.c.	>10 <sup>5</sup> MΩ @ 500V d.c.
High Voltage Proof Test:	2kV (50Hz for 1 minute)	2kV (50Hz for 1 minute)
Contact Resistance:	<10mΩ	<10mΩ
Operating Temp.: (ambient air temp + fuse temp rise)	-20°C to +90°C	-20°C to +70°C
Sealing:		Protection Classification IP66 BS60529: 1992
Mouldings:		
Body - Clear:	Polybutene UL94HB rated	Polybutene UL94HB rated
Body - Black:	Nylon 6 UL94V-0 rated	Nylon 6 UL94V-0 rated
Grommet:		PVC
O Ring:		Nitrile
Contacts:		
Terminals:	Brass, Nickel Plated	Brass, Nickel Plated
Grub Screw:	Stainless Steel	Stainless Steel
Approvals:		
Colour:	Clear - no suffix, /BK - Black	Clear - no suffix, /BK - Black
<b>RoHS</b>	Compliant	Compliant

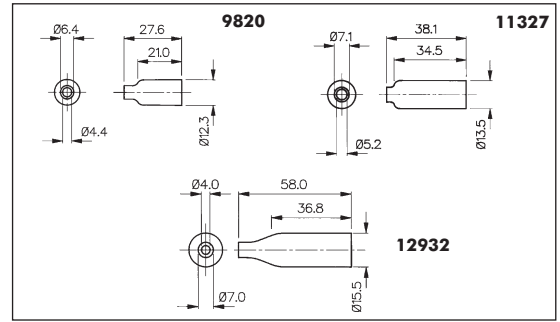


Accessories

INSULATION BOOTS



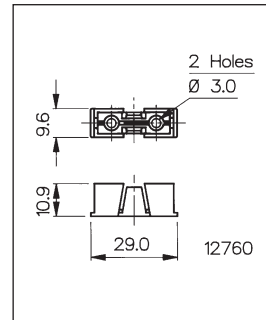
- Provide Insulation against Shock on Rear of Fuseholder
- PVC
- UL94V-0 rated flame retardant material



INSULATION COVER



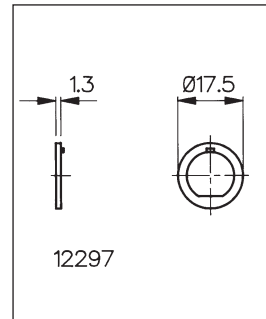
- Provide Insulation from Live Parts on Fuseholder
- Clear
- Polycarbonate



ADAPTOR



- Adaptor to Convert Fixing Holes
- Maintains Anti-Rotation
- Glass Filled Nylon



Accessories

For Use With:

PNo. 9820 (Boot)	FX0296, FX0296/1, FX0296/S
PNo. 11327 (Boot)	FX0354, FX0354/S, FX0357, FX0359, FX0454, FX0454/S, FX0455, FX0455/S, FX0460, FX0458, FX0367, FX0369, FX0462, FX0463
PNo. 12932 (Boot)	FX0415, FX0415/S, FX0416, FX0416/S
PNo. 12760 (Cover)	FX0267, FX0321
Max. Working Voltage:	250V a.c.
Flash Tested to:	2kV a.c.
Material:	P.Nos. 9820, 11327, 12932: PVC - UL94V-0 P.No. 12760: Polycarbonate
PNo. 12297 (Adaptor Washer)	Adapts 'D' fixing to anti-rotation Key Fixing FX0455, FX0455/S
Material:	Glass Filled Nylon
<b>RoHS</b>	Compliant

