



# AK7719

## Low Power DSP for Voice and Audio Processing

### GENERAL DESCRIPTION

The AK7719 is a highly integrated digital signal processor (DSP) with four digital interface ports. AKM's DSP core is optimized for both narrowband and wideband voice processing, as well as full bandwidth digital audio processing. An integrated clock generator for the DSP master clock eliminates the need for external clocks. The RAM-based DSP can be programmed for user requirements. The AK7719 is housed in a 25-pin CSP package. It is a very low power device, suitable for mobile applications.

### FEATURES

- Embedded DSP**
  - Flexible programming with built-in program and data memories
  - Hardware accelerator
  - Word length: 24-bits (Data RAM 24-bit floating point)
  - Multiplier 20 x 20 → 40-bits (double precision available)
  - Divider 20 / 20 → 20-bits
  - ALU: 44-bit arithmetic operation (with 4-bit overflow margin)  
24-bit floating point arithmetic and logic operation
  - Program RAM: 4096w x 36-bits
  - Coefficient RAM: 2048w x 20-bits
  - Data RAM: 2048w x 24-bits (24-bit floating point)
  - Offset Register: 32w x 15-bits
  - Delay RAM: 16384w x 24-bits(24-bit floating point)
  - 5625 steps at 16kHz sampling rate, 1875 steps at 48kHz sampling rate
  - Internal clock generator
- Audio Interface Format**
  - 24-bit Left justified, I<sup>2</sup>S,
  - 16/24bit linear, 8-bit A-law, 8-bit  $\mu$ -law PCM
  - Sampling rate 8kHz ~ 48kHz
  - Up/Down Sampling rate converter for Port#2 (8kHz → 16kHz)
- $\mu$ C I/F: I<sup>2</sup>C-Compatible, SPI**
- Operational, Sleep, Power down**
- Power Supply**
  - VDD (DSP Core): 1.2V  $\pm$ 0.1V
  - TVDD (PCM I/F): 1.6V ~ 3.6V
- Operating Temperature Range: -20°C ~ 85°C**
- Package: 25-Pin WL-CSP (2.62mm x2.93mm, 0.5mm pitch)**
- Power Consumption: 6.2mA (7.5mW) typ. (Narrowband Hands Free mode operation)**

■ Block Diagram

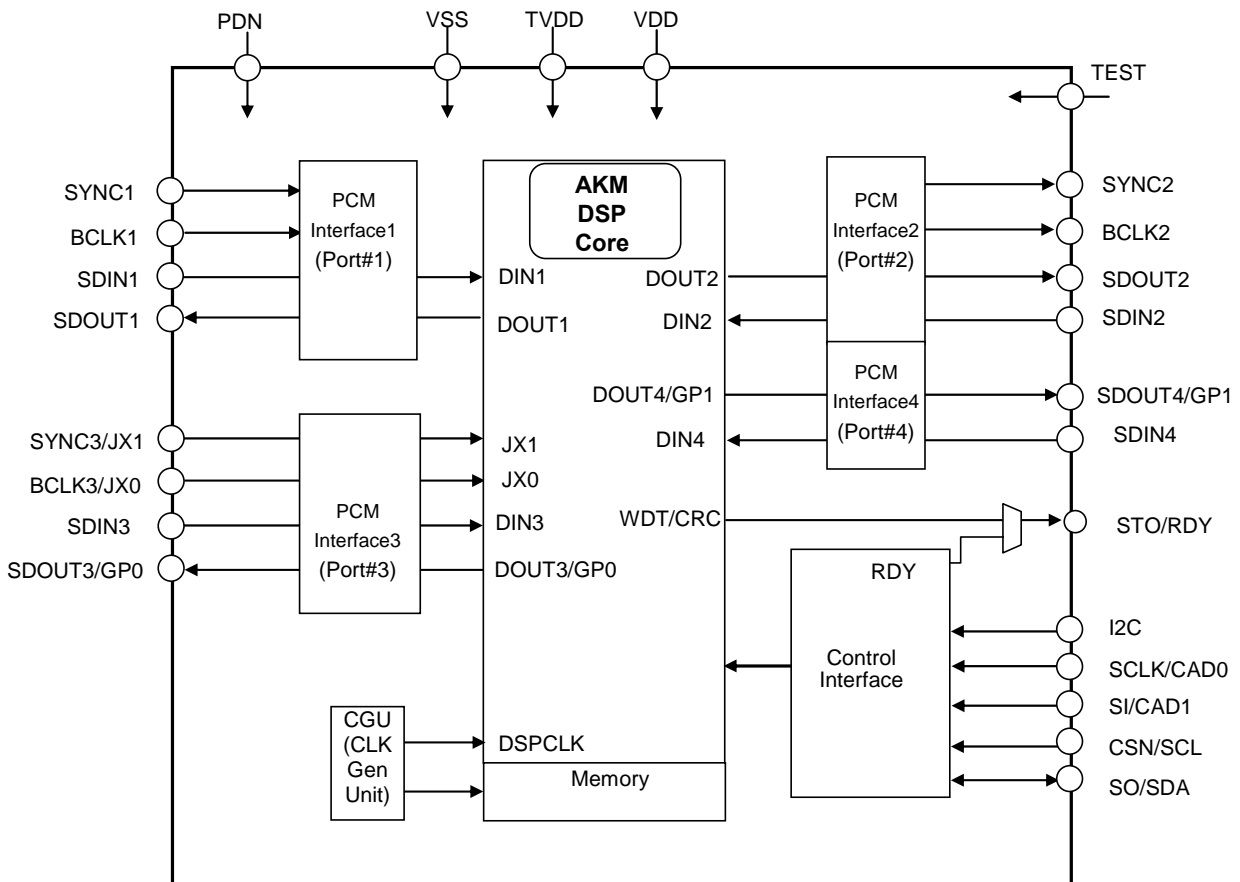
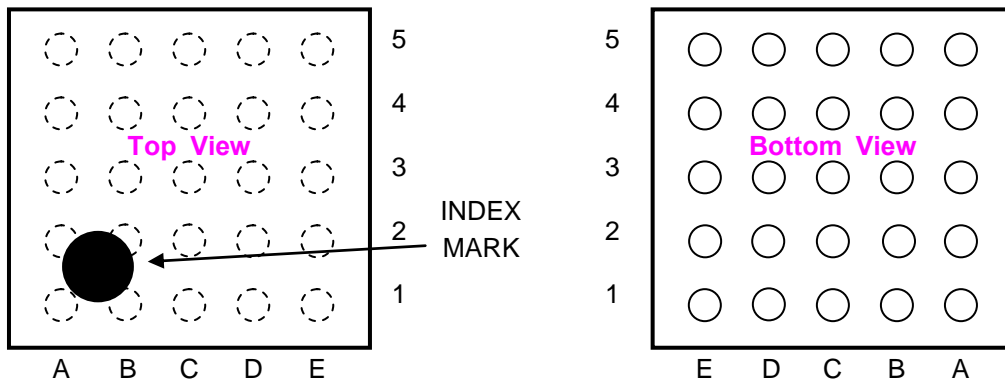


Figure 1. Block Diagram

■ **Ordering Guide**

AK7719ECB    -20 ~ +85°C    25-pin CSP (0.5mm pitch) Black type  
 AKD7719        Evaluation board for AK7719

■ **Pin Layout**



5	PDN	SDIN1	SDOUT1	BCLK1	SYNC1
4	VDD	BCLK3/ JX0	SDIN3	SDOUT3/ GP0	SYNC2
3	VSS	SYNC3/ JX1	TEST	STO/ RDY	BCLK2
2	TVDD	I2C	SDIN4	SDOU4/ GP1	SDIN2
1	SI/CAD1	SCLK/ CAD0	CSN/ SCL	SO/ SDA	SDOUT2
	A	B	C	D	E

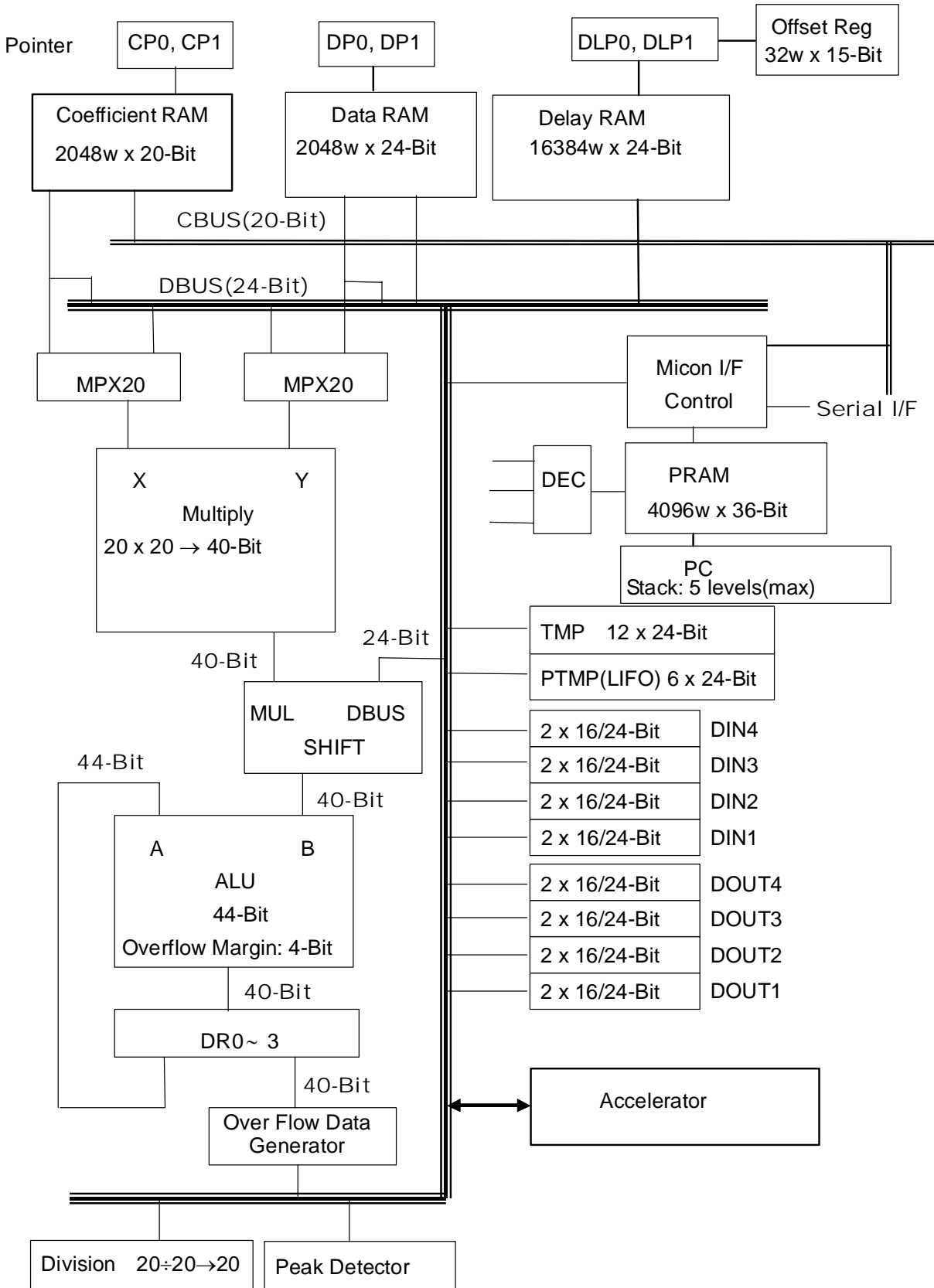
**TOP View**

PIN/FUNCTION			
NO	Pin Name	I/O	Function
A4	VDD	-	Core Power Supply Pin 1.2V
A2	TVDD	-	I/O power Supply Pin 1.6~3.6V
A3	VSS	-	Ground Pin 0V
A5	PDN	I	P Power-Down Mode Pin “H”: Power-up, “L”: Power-down, reset the control register. The AK7719 must be reset once upon power-up.
D3	STO	O	Status Output Pin (Active High) (STRDY bit = “0”)
	RDY		Data Write Ready output pin for control I/F (STRDY bit = “1”)
E5	SYNC1	I	Frame Sync 1 pin
D5	BCLK1	I	Serial Data Clock 1 Pin AK7719 goes into standby state when BCLK1 is not present.
B5	SDIN1	I	Serial Data Input 1 Pin
C5	SDOUT1	O	Serial Data Output 1 Pin
E4	SYNC2	O	Frame Sync 1 pin
E3	BCLK2	O	Serial Data Clock 2 Pin
E2	SDIN2	I	Serial Data Input 2 Pin
E1	SDOUT2	O	Serial Data Output 2 Pin
B3	SYNC3	I	Frame Sync 3 pin (SELPT bit = “1”)
	JX1		Conditional Jump 1 Pin (SELPT bit = “0”)
B4	BCLK3	I	Serial Data Clock 3 Pin (SELPT bit = “1”)
	JX0		Conditional Jump 0 Pin (SELPT bit = “0”)
C4	SDIN3	I	Serial Data Input 3 Pin
D4	SDOUT3	O	Serial Data Output 3 Pin (SELDO3 bit = “0”)
	GP0		DSP Programmable output 0 Pin (SELDO3 bit = “1”)
C2	SDIN4	I	Serial Data Input 4 Pin
D2	SDOUT4	O	Serial Data Output 4 Pin (SELDO4 bit = “0”)
	GP1		DSP Programmable output 1 Pin (SELDO4 bit = “1”)
B2	I2C	I	Control Interface Mode Select Pin “H”: I <sup>2</sup> C, “L”: SPI
B1	SCLK	I	Serial Clock Input pin SPI (I2C pin = “L”)
	CAD0		Slave Address 0 Input pin I2C (I2C pin = “H”)
C1	CSN	I	Chip select pin SPI (I2C pin = “L”)
	SCL		Control Interface clock input pin I2C (I2C pin = “H”)
D1	SO	O	Serial data output pin SPI (I2C pin = “L”)
	SDA		I/O Control Interface input/output acknowledge pin I2C (I2C pin = “H”)
A1	SI	I	Serial data input pin SPI (I2C pin = “L”)
	CAD1		Slave Address 1 Input pin I2C (I2C pin = “H”)
C3	TEST	I	Test pin (pull-down resistor) must be connected to VSS.

Note 1. All input pins must not be allowed to float.

Note 2. I2C and CAD0/1 pins must be fixed to “L” (VSS) or “H” (TVDD).

DSP Block Diagram



### ■ Handling of Unused Pins

Unused I/O pins must be connected appropriately:

Pin Name	Setting
STO/RDY, SDOUT3/GPO, SDOUT4/GP1	Leave Open
SYNC1, BCLK1, SDIN1, SDIN2, SDIN3, SDIN4, SYNC3/JX1, BCLK3/JX0, TEST	Connect to VSS.

### ■ Pin States in Power-down Mode

The table below shows pin states when the PDN pin= "L".

NO	Pin Name	I/O	Pin state
D3	STO RDY	O	Low
C5	SDOUT1	O	SDIN2 data output
E4	SYNC2	O	SYNC1 data output
E3	BCLK2	O	BCLK1 data output
E1	SDOUT2	O	SDIN1 data output
D4	SDOUT3 GPO	O	SDIN4 data output
D2	SDOUT4 GPI	O	SDIN3 data output
D1	SO SDA	O I/O	Low level (I2C pin = "L": SPI) Hi-z (I2C pin = "H": I <sup>2</sup> C)

### ABSOLUTE MAXIMUM RATINGS

(VSS=0V; All voltages are with respect to ground.)

Parameter	Symbol	min	max	Unit
Power Supply Voltage (DSP Core)	VDD	-0.3	1.6	V
Power Supply Voltage (Digital I/O)	TVDD	-0.3	4.1	V
Input Current (except for power supply pins)	IIN	-	±10	mA
Input Voltage	VIND	-0.3	TVDD+0.3	V
Operating Ambient Temperature	Ta	-20	85	°C
Storage Temperature	Tstg	-65	150	°C

WARNING: Operation at or beyond these limits may result in permanent damage to the device.  
Normal operation is not guaranteed at these extremes.

### RECOMMENDED OPERATION CONDITION

(VSS=0V; All voltages are with respect to ground.)

Parameter	Symbol	min	typ	max	Unit
Supply Voltage Range (DSP core)	VDD	1.1	1.2	1.3	V
Supply Voltage Range (I/Os)	TVDD	1.6	1.8	3.6	V

Note 3. The power-up sequence with VDD and TVDD is not critical. The PDN pin should be held "L" when power is supplied. The PDN pin is allowed to be "H" after all power supplies are applied and settled.

Note 4. The external pull-up resistors at the SDA and SCL pins should be connected to TVDD voltage or less.

WARNING: AKM assumes no responsibility for the usage beyond the conditions in the datasheet.

<b>ELECTRIC CHARACTERISTICS</b>
---------------------------------

<b>DC CHARACTERISTICS</b>
---------------------------

(Ta=-20°C~85°C; VDD=1.2V, TVDD =1.6V~3.6V; VSS =0V)

Parameter	Symbol	min	typ	max	Unit
High level input voltage	VIH	70%TVDD			V
Low level input voltage	VIL			30%TVDD	V
High level input voltage Iout=-200μA (Note 5)	VOH	TVDD-0.2			V
Low level input voltage Iout= 200μA (Note 5)	VOL			0.2	V
SDA low level output voltage Iout=3mA	VOL	TVDD ≥ 2.0V		0.4	V
		TVDD < 2.0V		20%TVDD	V
Input leak current	Iin			±10	μA

Note 5. Except for the SDA pin.

<b>POWER CONSUMPTION</b>
--------------------------

(Ta=25°C; VDD=1.2V; TVDD=1.8V; VSS =0V, fin=1 KHz, fs=8kHz 16 bit (FS bits=0h, LAW bits = 0h, DIF bit = 2h, DSP running with programmed connecting DIN1 with DOUT2 and DIN2 with DOUT1.

Parameter	min	typ	max	Unit
<b>Power Supplies:</b>				
Power-Up (PDN pin = "H") DSP-Operational State				
All Circuit Power-up				
VDD	VDD=1.2V	-	1.7	mA
TVDD	TVDD=1.8V (Note 6)	-	0.02	mA
Power Consumption		-	2.1	mW
All Circuit Power-up				
VDD	VDD=1.3V	-	20	mA
TVDD	TVDD=3.6V (Note 6)	-	2.0	mA
Power Consumption		-	33.2	mW
Power-Down state (PDN pin = "L"), (Note 7)				
VDD		-	2.4	μA
TVDD		-	0.2	μA

Note 6. The current of VDD, TVDD changes depending on the system frequency and contents of the DSP program.

Note 7. All digital input pins are fixed to TVDD or VSS.

<b>SWITCHING CHARACTERISTICS</b>
----------------------------------

### ■ System Clock

(Ta= -20°C ~ 85°C, VDD=1.2V, TVDD= 1.6V ~ 3.6V, VSS=0V) CL=20pF (except SDA pin) or 400pF (SDA pin); unless otherwise specified

Parameter	Symbol	min	typ	max	Unit
<b>Normal Operation mode: SYNC1/3, BCLK1/BCLK3 Input Timing</b>					
SYNC1/3 Input Timing					
SYNC1/3 frequency	fs	8		48	kHz
BCLK1 Input Timing (Note 8, Note 9)	fBCLK	64		3072	kHz
BCLK1/3 Pulse width Low	tBCKL	0.4 x tBCLK			ns
BCLK1/3 Pulse width High	tBCKH	0.4x tBCLK			ns

Note 8. SYNC1 and BCLK1 or SYNC3 and BCLK3 should be synchronized and their sampling rates (fs) should be stable  
 Note 9. Required fBCLK:  $\geq 2$  (Data length set by LAW bit) x SYNC2 frequency

### ■ Reset and Standby

(Ta= -20°C ~ 85°C, VDD=1.2V, TVDD= 1.6V ~ 3.6V, VSS=0V)

Parameter	Symbol	min	typ	max	Unit
PDN (Note 10)	tPDN	600			ns

Note 10. The AK7719 can be reset by bringing the PDN pin = "L" upon power-up.

### ■ Serial Data Interface

(Ta= -20°C ~ 85°C, TVDD= 1.6V ~ 3.6V, VSS=0V, CL=20pF)

Parameter	Symbols	min	typ	max	Unit
<b>SDIN1, SDIN3, SDIN4, SDOUT1, SDOUT3, SDOUT4</b>					
Delay Time from BCLK1 "↑" to SYNC1 "↑" (Note 11)	tBSYD	20			ns
Delay Time from SYNC1 "↓" to BCLK1 "↑"	tSYBD	100			ns
Serial Data Input Latch Setup Time	tB1IDS	40			ns
Serial Data Input Latch Hold Time	tB1IDH	40			ns
Delay Time from SYNC1 to Serial Data Output	tSY1OD			40	ns
Delay Time from BCLK1 "↓" to Serial Data Output (Note 12)	tB1OD			40	ns
<b>SDIN2, SDOUT2</b>					
SYNC2 Duty cycle			50		%
Serial Data Input Latch Setup Time	tB2IDS	40			ns
Serial Data Input Latch Hold Time	tB2IDH	40			ns
Delay Time from SYNC2 to Serial Data Outputs	tSY2OD			40	ns
Delay Time from BCLK2 "↓" to Serial Data Output (Note 13)	tB2OD			40	ns
<b>SDINn → SDOUTn (n=1, 2, 3)</b>					
Delay time from SDINn to SDOUTn Output	tIOD			60	ns

Note 11. When the polarity of BCLK1 is inverted, delay time is from BCLK1 "↓"

Note 12. When the polarity of BCLK1 is inverted, delay time is from BCLK1 "↑".

Note 13. When the polarity of BCLK2 is inverted, delay time is from BCLK2 "↑".



■ Timing Diagram

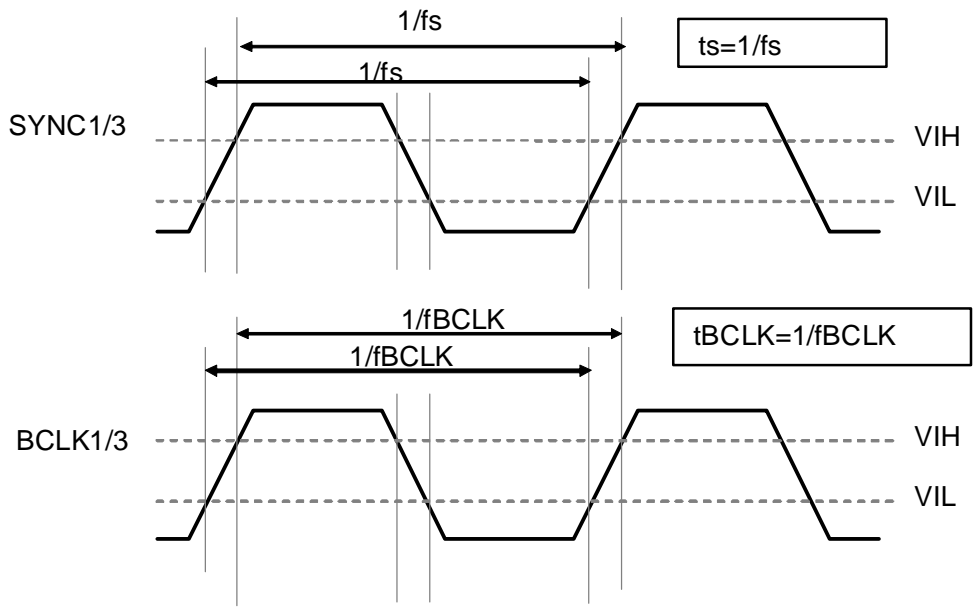


Figure 2. System Clock

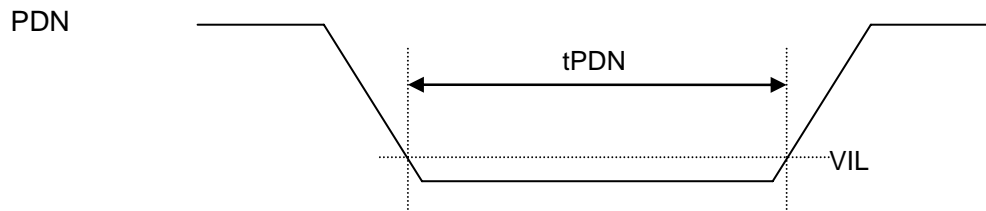


Figure 3. Power-down

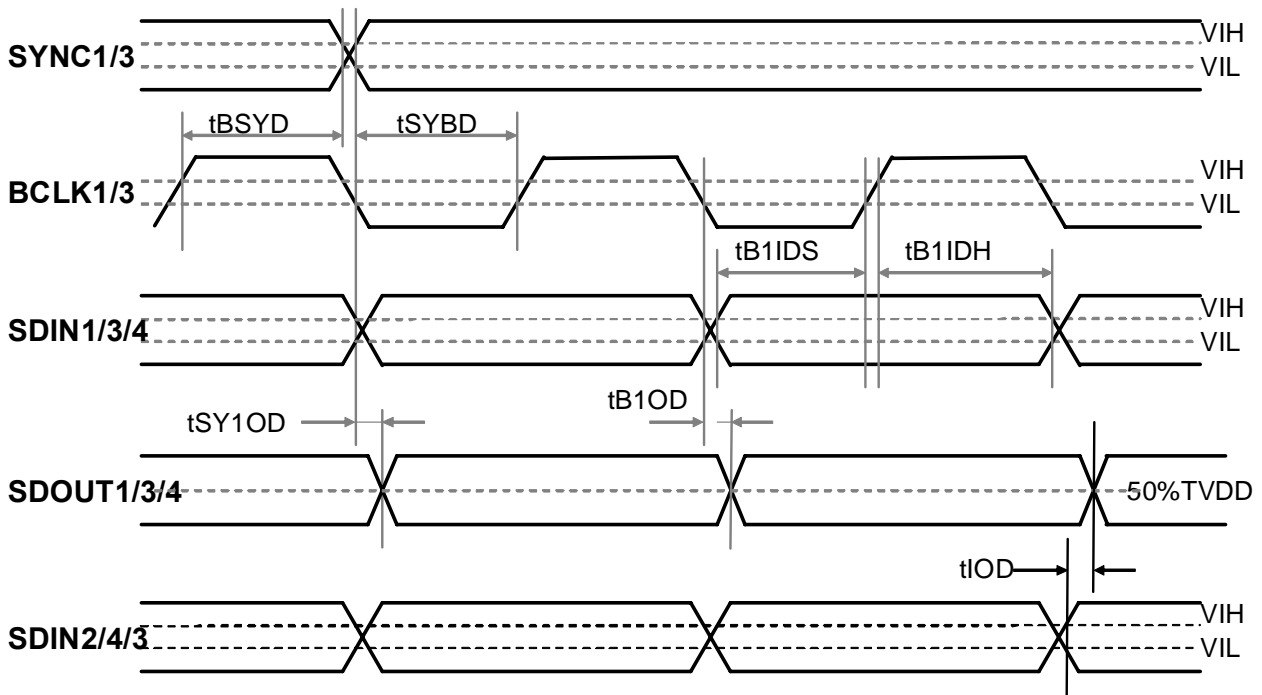


Figure 4. Serial Data Interface (Port#1, 3, 4)

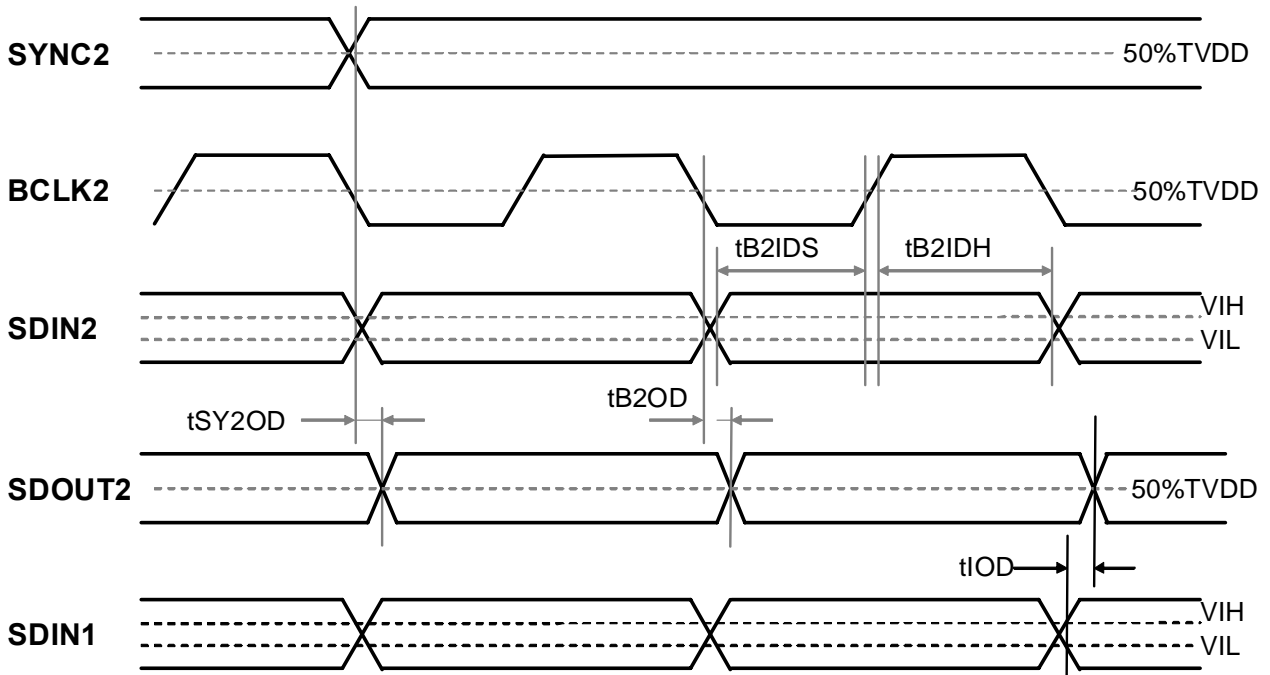


Figure 5. Serial Data Interface (Port#2)

■  $\mu$ P Interface (SPI Mode)

(Ta= -20°C ~ 85°C, VDD=1.2V; TVDD=1.6~3.6V, VSS =0V; CL=20pF)

Parameter	Symbol	min	typ	max	Unit
<b><math>\mu</math>P Interface Timing (SPI mode)</b>					
SCLK Fall Time	tSF			30	ns
SCLK Rise Time	tSR			30	ns
SCLK Frequency	fSCLK			4.0	MHz
SCLK Low Level Width	tSCLKL	120			ns
SCLK High Level Width	tSCLKH	120			ns
CSN High Level Width	tWRQH	500			ns
From CSN “ $\uparrow$ ” to PDN “ $\uparrow$ ”	tRST1	600			ns
From PDN “ $\uparrow$ ” to CSN “ $\downarrow$ ”	tIRRQ	100			$\mu$ s
From SCLK “ $\downarrow$ ” to CSN “ $\uparrow$ ”	tWSC	500			ns
From SCLK “ $\uparrow$ ” to CSN “ $\uparrow$ ”	tSCW	800			ns
SI Latch Setup Time	tSIS	100			ns
SI Latch Hold Time	tSIH	100			ns
<b>AK7719 <math>\rightarrow</math> <math>\mu</math>P</b>					
Delay Time from SCLK “ $\downarrow$ ” to SO Output	tSOS			100	ns
Hold Time from SCLK “ $\uparrow$ ” to SO Output (Note 14)	tSOH	100			ns

Note 14. Except when input the eighth bit of the command code.

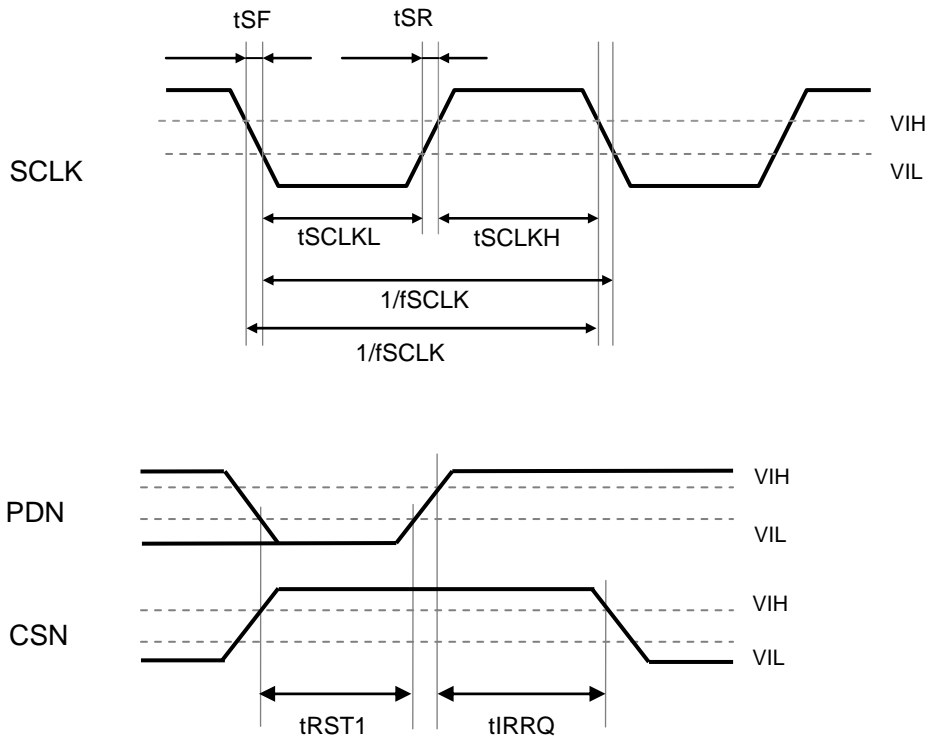


Figure 6.  $\mu$ P Interface 1 (SPI)

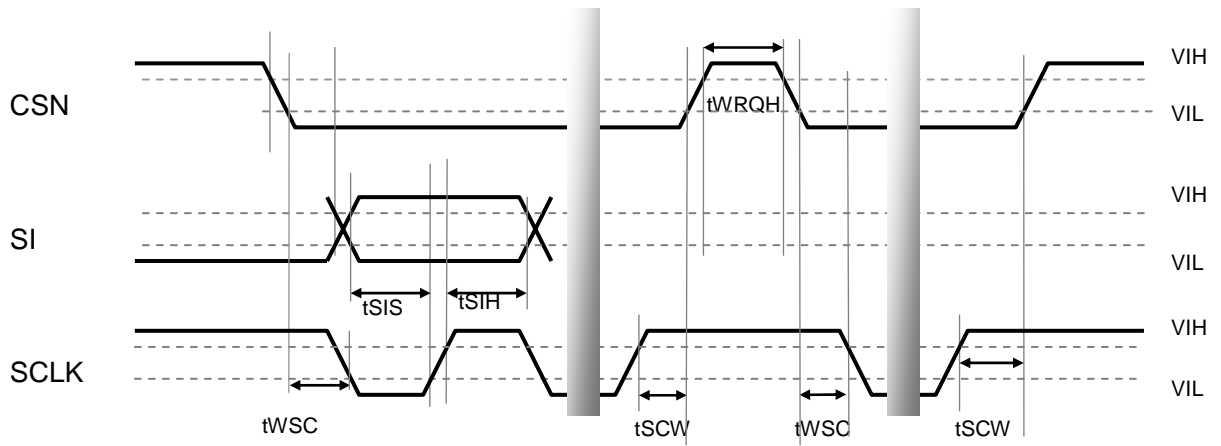


Figure 7.  $\mu$ P Interface 2 (SPI)

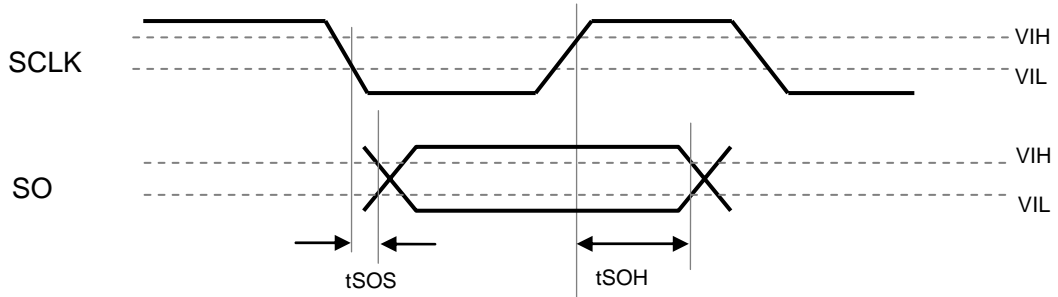


Figure 8.  $\mu$ P Interface 3 (SPI)

■ I<sup>2</sup>C BUS Interface

(Ta=-20°C~85°C, VDD=1.2V, VDD=1.6~3.6V, VSS =0V, CL=20pF)

Parameter	Symbol	min	typ	max	Unit
<b>I<sup>2</sup>C Timing</b>					
SCL clock frequency	fSCL	30		400	kHz
Bus Free Time Between Transmissions	tBUF	1.3			μs
Start Condition Hold Time (prior to first Clock pulse)	tHD:STA	0.6			μs
Clock Low Time	tLOW	1.3			μs
Clock High Time	tHIGH	0.6			μs
Setup Time for Repeated Start Condition	tSU:STA	0.6			μs
SDA Hold Time from SCL Falling	tHD:DAT	0		0.9	μs
SDA Setup Time from SCL Rising	tSU: DAT	0.1			μs
Rise Time of Both SDA and SCL Lines	tR			0.3	μs
Fall Time of Both SDA and SCL Lines	tF			0.3	μs
Setup Time for Stop Condition	tSU:STO	0.6			μs
Pulse Width of Spike Noise Suppressed by Input Filter	tSP	0		50	ns
Capacitive load on bus	Cb			400	pF

Note 15. I<sup>2</sup>C-bus is a trademark of NXP B.V.

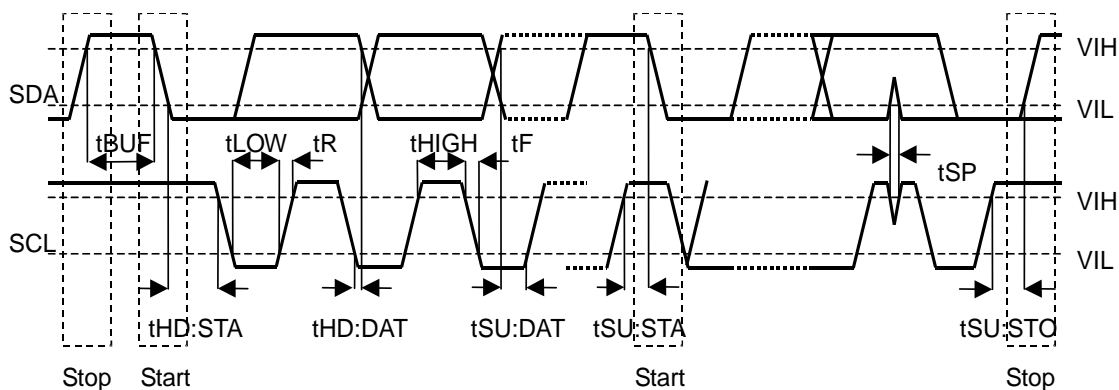
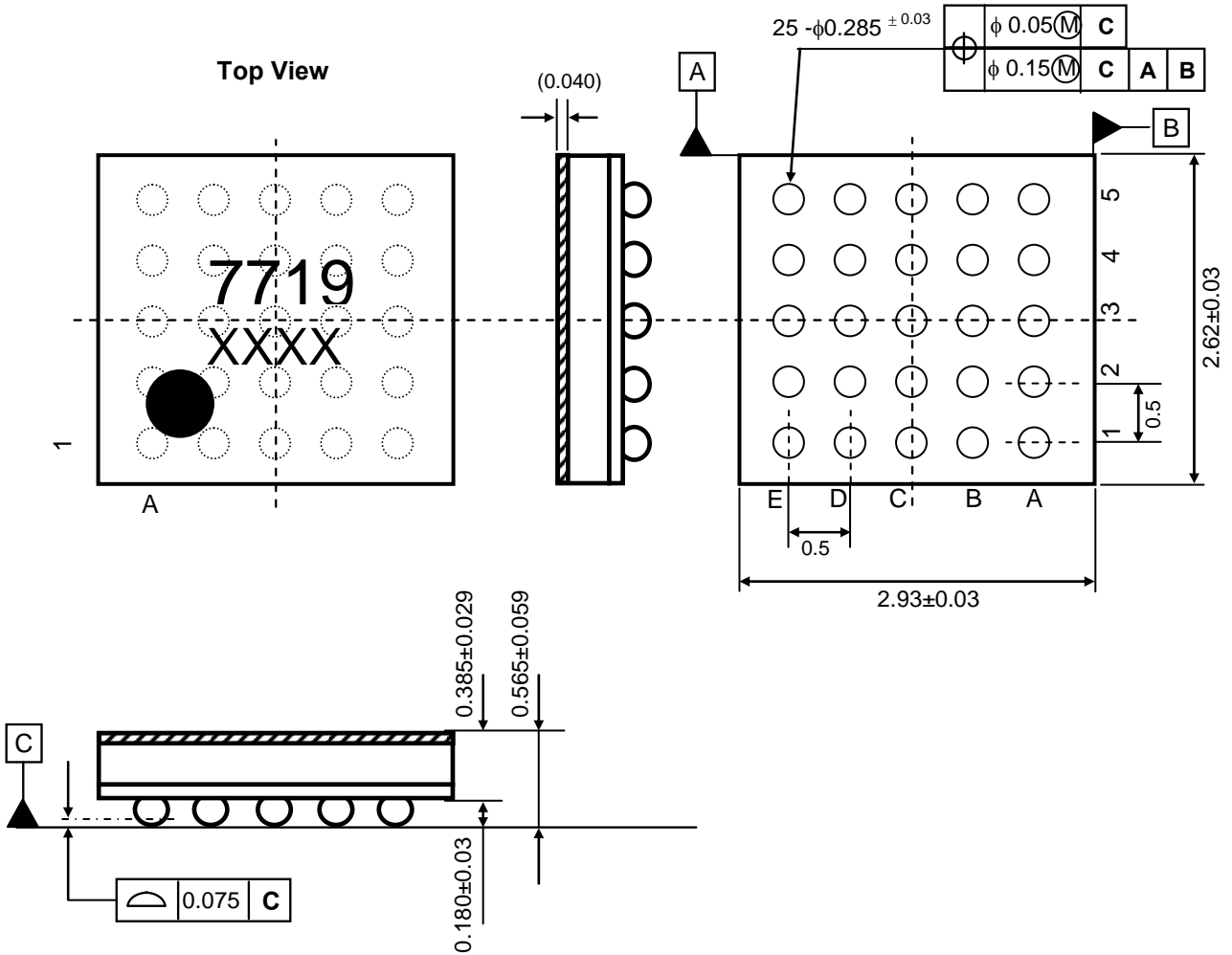


Figure 9. I<sup>2</sup>C Bus Interface

PACKAGE

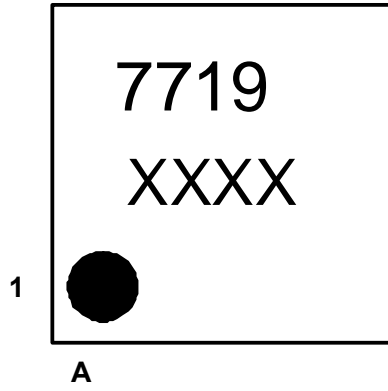
25pin CSP (Unit: mm)



■ Material & Lead Finish

Package: Epoxy, Halogen (bromine and chlorine) free  
 Solder ball material: SnAgCu

**MARKING**



XXXX: Date code (4 digit)

**REVISION HISTORY**

Date (YY/MM/DD)	Revision	Reason	Page	Contents
12/01/12	00	First Edition		

**IMPORTANT NOTICE**

- These products and their specifications are subject to change without notice.  
When you consider any use or application of these products, please make inquiries the sales office of Asahi Kasei Microdevices Corporation (AKM) or authorized distributors as to current status of the products.
- Descriptions of external circuits, application circuits, software and other related information contained in this document are provided only to illustrate the operation and application examples of the semiconductor products. You are fully responsible for the incorporation of these external circuits, application circuits, software and other related information in the design of your equipments. AKM assumes no responsibility for any losses incurred by you or third parties arising from the use of these information herein. AKM assumes no liability for infringement of any patent, intellectual property, or other rights in the application or use of such information contained herein.
- Any export of these products, or devices or systems containing them, may require an export license or other official approval under the law and regulations of the country of export pertaining to customs and tariffs, currency exchange, or strategic materials.
- AKM products are neither intended nor authorized for use as critical components<sup>Note1)</sup> in any safety, life support, or other hazard related device or system<sup>Note2)</sup>, and AKM assumes no responsibility for such use, except for the use approved with the express written consent by Representative Director of AKM. As used here:  
**Note1)** A critical component is one whose failure to function or perform may reasonably be expected to result, whether directly or indirectly, in the loss of the safety or effectiveness of the device or system containing it, and which must therefore meet very high standards of performance and reliability.  
**Note2)** A hazard related device or system is one designed or intended for life support or maintenance of safety or for applications in medicine, aerospace, nuclear energy, or other fields, in which its failure to function or perform may reasonably be expected to result in loss of life or in significant injury or damage to person or property.
- It is the responsibility of the buyer or distributor of AKM products, who distributes, disposes of, or otherwise places the product with a third party, to notify such third party in advance of the above content and conditions, and the buyer or distributor agrees to assume any and all responsibility and liability for and hold AKM harmless from any and all claims arising from the use of said product in the absence of such notification.

Thank you for your access to AKM product information.  
More detail product information is available, please contact our  
sales office or authorized distributors.