

PLEASE CHECK WWW.MOLEX.COM FOR LATEST PART INFORMATION

Part Number: [0681453615](#)
Status: **Active**
Description: 1.01mm (.040") Pitch Wire-to-Board Header, 1.02mm (.040") Tab Type, Vertical, 36 Circuits, Gray

Documents:

[3D Model](#) [Product Specification PS-68145-002 \(PDF\)](#)
[Drawing \(PDF\)](#) [RoHS Certificate of Compliance \(PDF\)](#)

General

Product Family	PCB Headers
Series	68145
Application	Wire-to-Board
Product Name	N/A

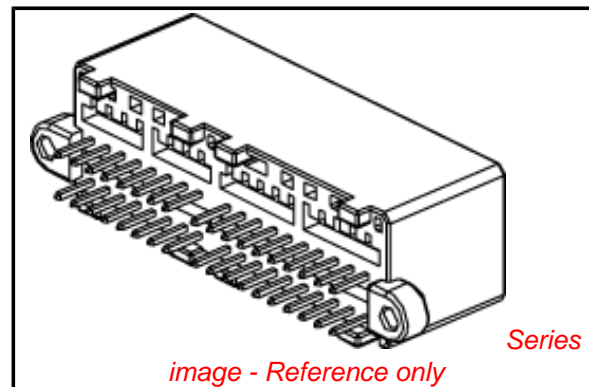
Physical

Breakaway	No
Circuits (Loaded)	36
Circuits (maximum)	36
Color - Resin	Gray
Durability (mating cycles max)	50
First Mate / Last Break	No
Glow-Wire Compliant	No
Guide to Mating Part	No
Keying to Mating Part	None
Lock to Mating Part	Yes
Material - Metal	Brass
Material - Plating Mating	Tin
Material - Plating Termination	Tin
Material - Resin	Polyester
Number of Rows	2
Orientation	Vertical
PC Tail Length (in)	0.146 In
PC Tail Length (mm)	3.70 mm
PCB Locator	Yes
PCB Retention	Yes
PCB Thickness Recommended (in)	0.062 In
PCB Thickness Recommended (mm)	1.60 mm
Packaging Type	Tray
Pitch - Mating Interface (in)	0.098 In
Pitch - Mating Interface (mm)	2.50 mm
Plating min: Mating (µin)	32
Plating min: Mating (µm)	0.80
Plating min: Termination (µin)	32
Plating min: Termination (µm)	0.80
Shrouded	Partial
Stackable	No
Surface Mount Compatible (SMC)	No
Temperature Range - Operating	-30°C to +85°C
Termination Interface: Style	Through Hole

Electrical

Current - Maximum per Contact	5A
Voltage - Maximum	13V

Material Info



EU RoHS

**ELV and RoHS
Compliant**
REACH SVHC
 Not Reviewed
**Halogen-Free
Status**

China RoHS



**Need more information on product
environmental compliance?**

Email productcompliance@molex.com
 For a multiple part number RoHS Certificate of Compliance, [click here](#)

Please visit the [Contact Us](#) section for any non-product compliance questions.

Search Parts in this Series

[68145Series](#)

Mates With

[35563](#) Crimp Housing. [35564](#) Crimp Housing

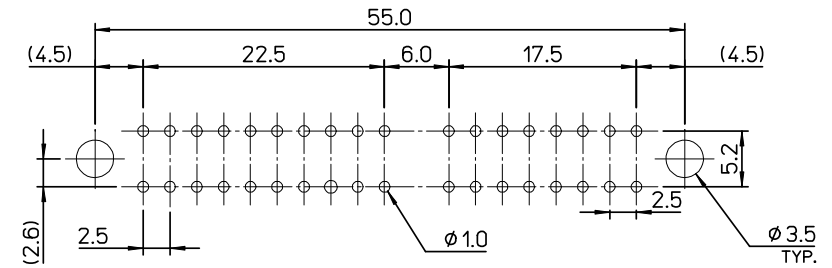
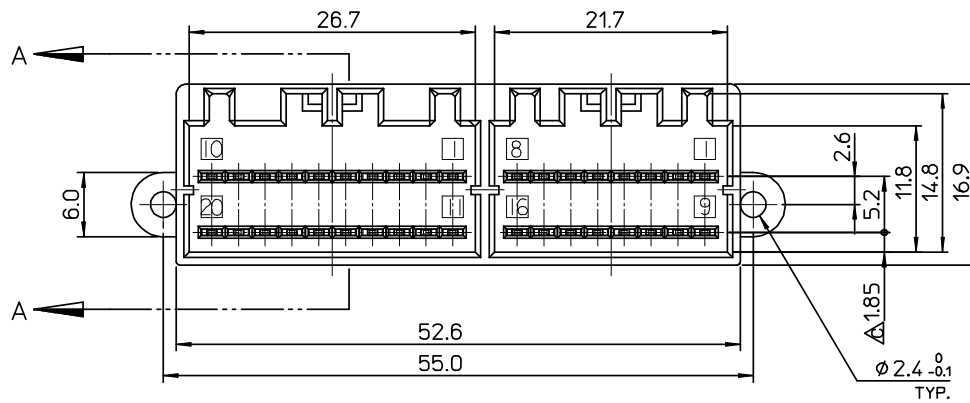
Reference - Drawing Numbers

Product Specification
Sales Drawing

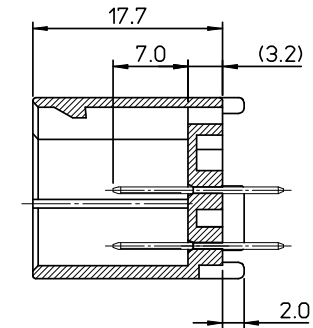
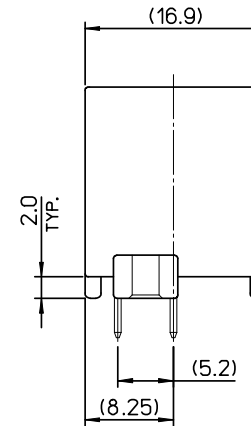
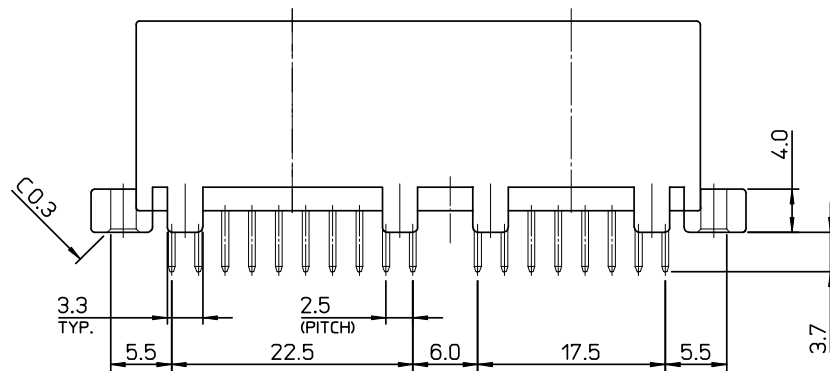
PS-68145-002
SD-68145-003

This document was generated on 04/07/2010

PLEASE CHECK WWW.MOLEX.COM FOR LATEST PART INFORMATION



RECOMMENDED P.C.B HOLE DIMENSION



SECTION A-A

NOTES

1. APPLICABLE FEMALE HOUSING : 35363-1615/35364-2015
2. TEMPERATURE RANGE : -40°C TO +120°C
3. MATERIAL : HOUSING-POLYESTER(PBT), COLOF:GRAY
TERMINAL-BRASS
TERMINAL-TIN(Sn) PLATED

REVISED	EC NO: KOR2008-0116	2008/01/31
	DRM:NEOKIM	2008/02/14
	CHK:DBCY00N	
	APPR:YUNSIKKIM	2008/02/14

QUALITY SYMBOLS	▽=0
	▽=0

GENERAL TOLERANCES (UNLESS SPECIFIED)	mm	INCH
4 PLACES	± ---	± ---
3 PLACES	± ---	± ---
2 PLACES	± 0.20	± ---
1 PLACE	± 0.30	± ---
ANGULAR ± 2 °		
DRAFT WHERE APPLICABLE MUST REMAIN WITHIN DIMENSIONS		

DIMENSION STYLE		SCALE	DESIGN UNITS
MM ONLY		2:1	METRIC
DRAWN BY	DATE	TITLE	
YSIKKIM	2001/01/15	040 WIRE TO BOARD CONN. 36P HEADER ASS'Y(VTL)	
CHECKED BY	DATE	MOLEX INCORPORATED	
YSIKKIM	2001/01/15		
APPROVED BY	DATE	DOCUMENT NO.	
CWLEE	2001/01/15	SD-68145-003	
MATERIAL NO.		SHEET NO.	
681453615		1 OF 1	

NO.	ENG NO.	MATERIAL NO.
1	68145-3615	681453615