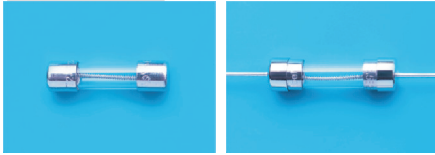


Type 5VT / 5VTP

5 x 20mm Glass Tube
RoHS 6 Compliant

Time-lag Fuse Series (High Surge-proof, Low-breaking Capacity)



Electrical Characteristics (IEC-127-2 STANDARD SHEET 3)

Rated Current	1.5 In		2.1 In		2.75 In		4 In		10 In	
	MIN	MAX	MIN	MAX	MIN	MAX	MIN	MAX	MIN	MAX
1A to 6.3A	1	2	600	10	150	3	20	300		
	hr.	min.	ms	sec	ms	sec	ms	ms		

Catalog Number	Ampere Rating	Typical Cold Resistance (ohm)	Volt-drop @100% In (Volt) max.	Melting I ² T < 10 mSec (A ² Sec)	Melting I ² T @10 In (A ² Sec)	Maximum Power Dissipation (W)
5VT (P) 1-R	1A	0.110	0.133	28	29	0.42
5VT (P) 1.25-R	1.25A	0.080	0.128	42	43	0.42
5VT (P) 1.6-R	1.6A	0.059	0.123	62	64	0.51
5VT (P) 2-R	2A	0.040	0.118	92	95	0.61
5VT (P) 2.5-R	2.5A	0.030	0.113	137	142	0.74
5VT (P) 3.15-R	3.15A	0.022	0.109	203	211	0.90
5VT (P) 4-R	4A	0.016	0.105	300	313	1.08
5VT (P) 5-R	5A	0.012	0.100	444	465	1.31
5VT (P) 6.3-R	6.3A	0.009	0.097	658	691	1.58

Consult manufacturer for other ratings

Approvals



Safety Agency Approvals	Amp range / Volt @ I.R. ability
<ul style="list-style-type: none"> Certificate No. 800915 License No. 40007745 Recognized File No. E20624 Acceptance File No. LR39772 License No. 2003010207030341 	<p>1A - 6.3A / 250V AC@ 35A or 10 In whichever is greater</p>

Packaging

- In bulk :
 - 5VT - 1,000 pcs per box; 5VTP - 500 pcs per box
- On Axial Tape & Reel:
 - 1,500 pcs per reel
- Tape & Reel specification:
 - per EIA-296-E & IEC 286-1 @ 10mm Pitch and 63.5mm inside Tape Spacing

RoHS 6 Compliant Product

Operating Temperature

-55°C to +125°C

Physical Specification

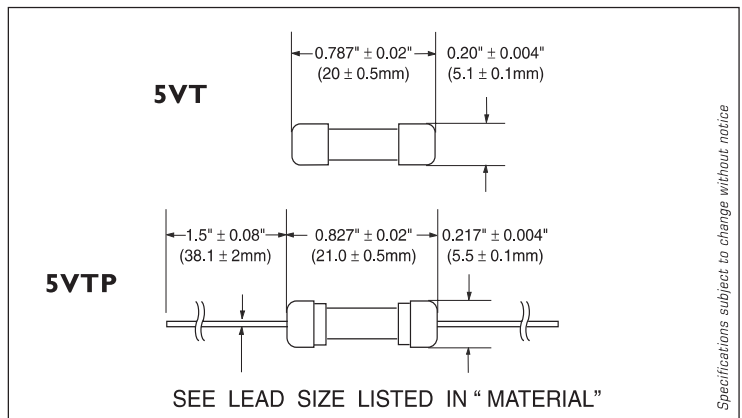
Materials

Glass body / Nickel Plated Brass Caps
Lead wire :
Matte Tin Plated Copper Alloy,
Diameter 0.032", 6.3A and less

Marking

On fuse:
"bel", "T", "Current Rating", "L", "250V",
"Appropriate Safety Logos", "✓" (RoHS 6 compliant)
On label:
"bel", "5VT" or "5VTP", "Current Rating", "Voltage Rating", "Interrupting Rating", "Appropriate Safety Logos" and "♻️", "♻️" (China RoHS compliant)

Mechanical Dimensions



ORDERING INFORMATION SEE LAST 2 PAGES

Type 5VT / 5VTP

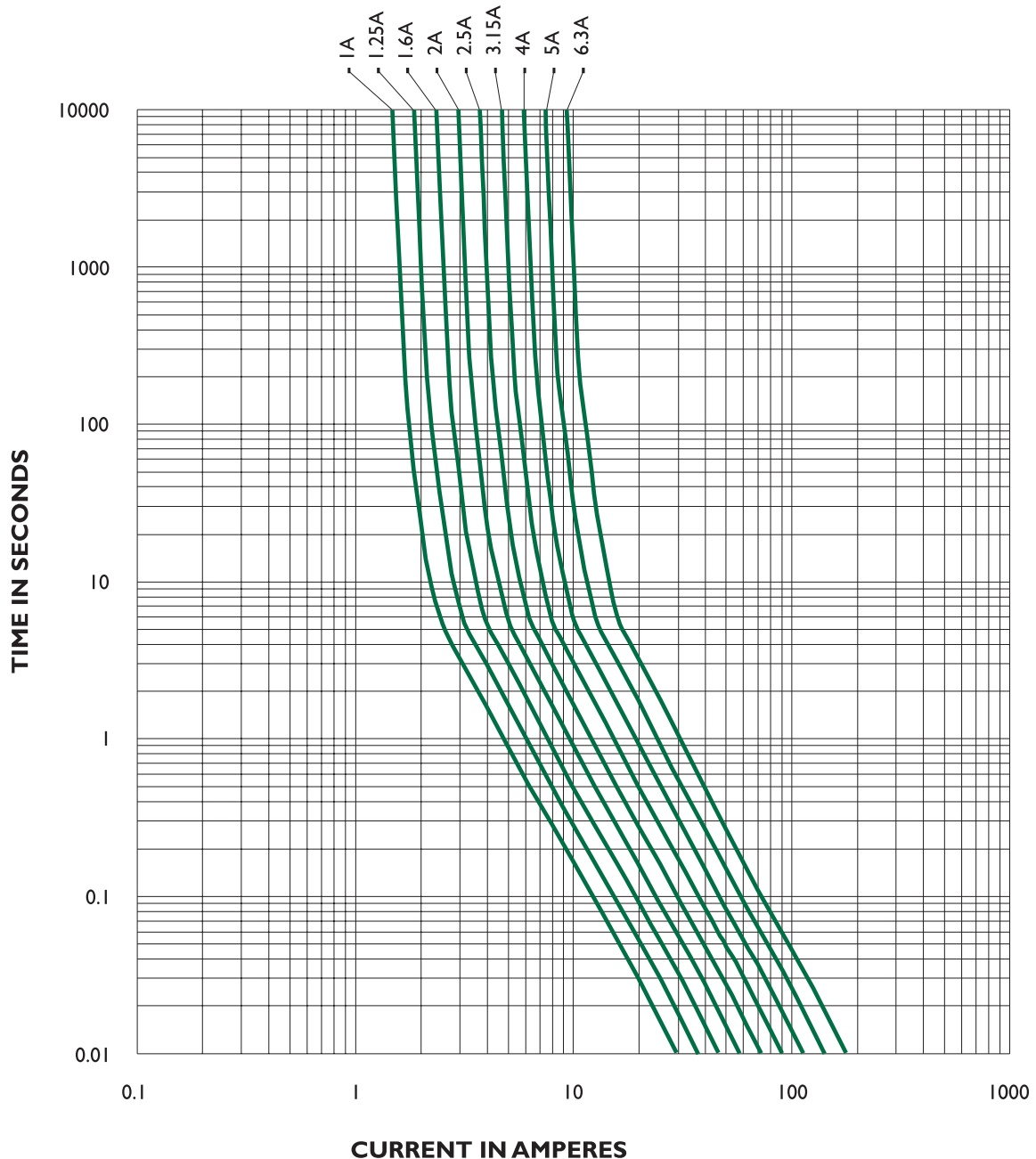
Time-lag Fuse Series (High Surge-proof, Low-breaking Capacity)

5 x 20mm Glass Tube
RoHS 6 Compliant

bel

5VTC0808

5VT / 5VTP - TIME CURRENT CHARACTERISTIC CURVE



Specifications subject to change without notice

NOTE - see important information under "User Guide" on P.08

Corporate Office

Bel Fuse Inc.

206 Van Vorst Street, Jersey City, NJ 07302
Tel: 201-432-0463
Fax: 201-432-9542
E-Mail: belfuse@belfuse.com
Website: www.belfuse.com

Far East Office

Bel Fuse Ltd.

8F/8 Luk Hop Street
San Po Kong
Kowloon, Hong Kong
Tel: 852-2328-5515
Fax: 852-2352-3706

European Office

Bel Fuse Europe Ltd.

Preston Technology Management Centre
Marsh Lane, Preston PR1 8UG
Lancashire, U.K.
Tel: 44-1772-556601
Fax: 44-1772-888366