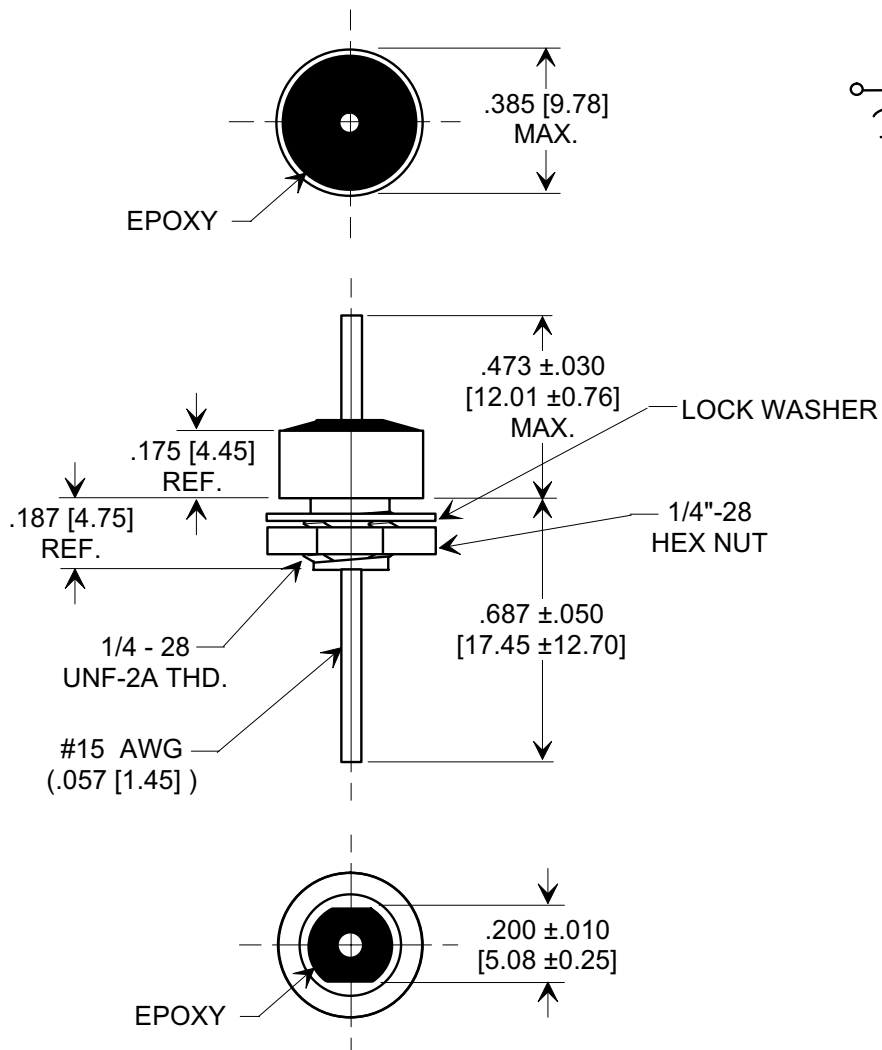
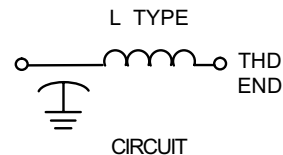
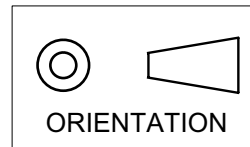


**MARKETING SALES DRAWING**

DIMENSIONS IN INCHES - DO NOT SCALE THIS DRAWING  
 DIMENSIONS IN METRIC - [ ]

Electrical Testing  
 per Tusonix standard  
 test plans and Mil-Std-202  
 Test Methods.



NOTES:

- MATERIALS:  
 BUSHING - TIN PLATED STEEL  
 LEAD - SOLDER PLATED COPPER
- MOUNTING TORQUE: 8 lb - ins. max.
- DCR - .01Ω max.
- MAX. SOLDER TEMPERATURE 500°F.

REF. Cx (μF)	WVDC		CURRENT DC	MIN. NO LOAD INSERTION LOSS (dB) PER MIL-STD 220 @ +25°C					
	85°C	125°C		30 KHz	100 KHz	300 KHz	1 MHz	10 MHz	1GHz
1.4	100	70	25 A	15	25	34	44	60	70

X-2015 Rev-0 REVISION RECORD Original Release C.O. 20000711-1-01	0	--TOLERANCES-- Unless Otherwise Specified	Title <b>COAXIAL BROADBAND - "L"</b>	
			DECIMAL ±	Drawn S.M. 07-11-00
		ANGLES ±	Approved T.C. 07-11-00	
	<b>TUSONIX</b> TUCSON, ARIZONA		<b>A</b>	<b>4600-063</b>