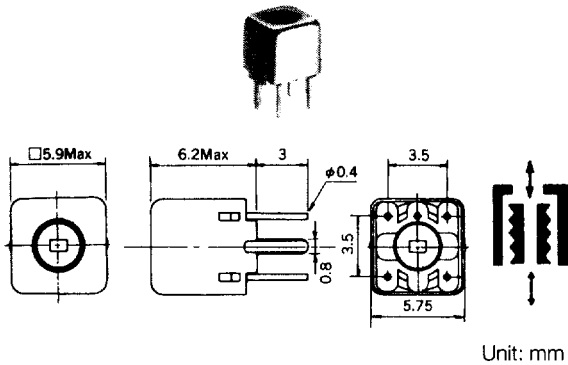


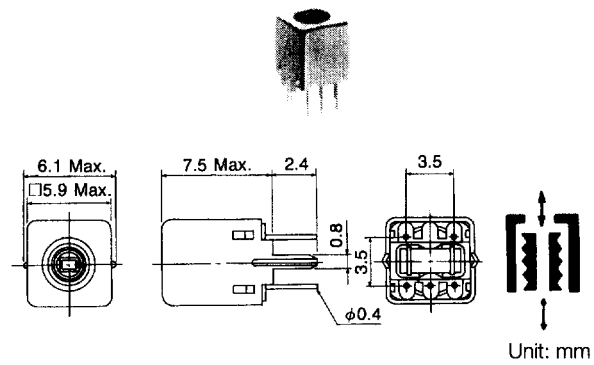
5mm TYPE 5K

Frequency Range: 30-150MHz
Inductance Range: 0.08-1.0μH
Temperature Coefficient: 220±150ppm/°C



5mm TYPE 5KM

Frequency Range: 30-150MHz
Inductance Range: 0.05-10μH
Temperature Coefficient: TC (L) 80±120ppm/°C
TC (F) 0±120ppm/°C
Internal Capacitance Value: 5-56pF



Features

- The dual, closely spaced slots on the bobbin produces high Q, tight tolerances, stable winding impedance, low distributed capacitance, and added stability in humid conditions.

Features

- Available with internal capacitor.
- Spiral wound with high number of closely spaced slots on form, to yield low distributed capacitance, low temperature coefficient, and added stability in humid conditions.

STANDARD COILS SELECTION GUIDE

TYPE 5K			
TOKO Part Number	Inductance Range (μH)	Q (min.)	Test Frequency (MHz)
294SN-T1008Z	0.08±2%	45	75.0
294SN-T1009Z	0.10±6%	45	75.0
294SN-T1010Z	0.15±6%	45	75.0
294SN-T1011Z	0.22±6%	45	45.0
294SN-T1012Z	0.33±6%	45	45.0
294SN-T1013Z	0.47±6%	45	45.0
294SN-T1014Z	0.68±6%	45	45.0
294SN-T1015Z	1.00±6%	45	30.0

STANDARD COILS SELECTION GUIDE

TYPE 5KM			
TOKO Part Number	Inductance Range (μH)	Q (min.)	Test Frequency (MHz)
369SNS-1646Z	0.10±5%	35	50
369SNS-1647Z	0.12±5%	35	50
369SNS-1648Z	0.15±5%	35	50
369SNS-1649Z	0.18±6%	35	50
369SNS-1650Z	0.22±6%	35	50
369SNS-1651Z	0.27±6%	35	50
369SNS-1652Z	0.33±6%	35	50
369SNS-1653Z	0.39±6%	35	50
369SNS-1654Z	0.47±6%	35	50
369SNS-1655Z	0.56±6%	35	50
369SNS-1656Z	0.68±6%	35	50
369SNS-1657Z	0.82±6%	35	50
369SNS-1658Z	1.00±6%	25	7.96
369SNS-1659Z	1.20±6%	25	7.96
369SNS-1660Z	1.50±6%	25	7.96
369SNS-1661Z	1.80±6%	25	7.96
369SNS-1662Z	2.20±6%	25	7.96
369SNS-1663Z	2.70±6%	25	7.96
369SNS-1664Z	3.30±6%	25	7.96
369SNS-1665Z	3.90±6%	25	7.96
369SNS-1666Z	4.70±6%	25	7.96
369SNS-1667Z	5.60±5%	25	7.96
369SNS-1668Z	6.80±5%	25	7.96
369SNS-1676Z	8.20±5%	25	7.96
369SNS-1677Z	10.00±5%	25	7.96