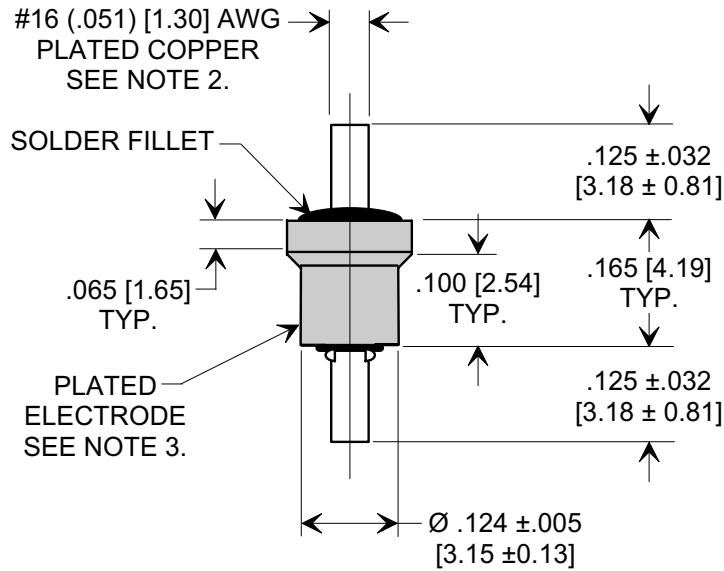
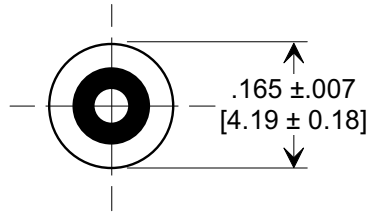
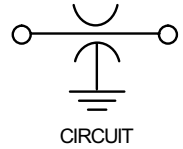
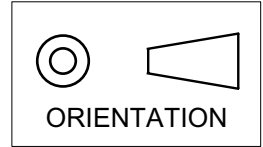


**MARKETING SALES DRAWING**

**DIMENSIONS IN INCHES - DO NOT SCALE THIS DRAWING**  
**DIMENSIONS IN METRIC - [ ]**

This drawing is the property of Tusonix, Inc., and may not be used, reproduced, published or disclosed to others without expressed authorization by Tusonix Inc.

**Electrical Testing**  
**per Tusonix standard**  
**test plans and Mil-Std-202**  
**Test Methods.**



**OPERATING INFORMATION**

STYLE NO.	2461-002
VALUE	1000 pF
VALUE TOL.	±20%
TEMP. COEF.	X7V
RATING	100VDC@+125°C
OPERATING RANGE	-55°C,+125°C
DWV	600
I.R. MIN @ 100VDC	10 GΩ
TO TUSONIX SPEC. UNLESS STATED OTHERWISE.	

**NOTES:**

1. TUSONIX STANDARD PART NUMBER: 2461-002-X7V0-102M.  
 TUSONIX RoHS COMPLIANT PART NUMBER:  
 2461-002-X7V0-102M. LF.  
 CUSTOMER MUST SPECIFY STANDARD OR RoHS PART NUMBER WHEN ORDERING.
2. LEAD FINISH: STANDARD PART #: 60/40 SOLDER PLATED. RoHS PART #: SILVER PLATED.
3. ELECTRODE FINISH: STANDARD PART #: 60/40 SOLDER PLATED. RoHS PART #: MATTE TIN PLATED.
4. PART MARKING: STANDARD PART: NO MARKING. RoHS PART: MARKING ON PACKAGING ONLY.

X-2015 Rev-0

<b>REVISION RECORD</b>	Original Release	0	SOLDER PLATED WAS TIN. S.M. 06-20-05	ADDED NOTES. S.M. 07-20-06	20060614-1-06	20050616-1-05	20040930-2-03	REVISED DRW. TO MATCH CATALOG DWG. S.M. 10-04-04	C.O. 20021112-1-04	Original Release	0	REVISION RECORD	--TOLERANCES-- Unless Otherwise Specified		Title <b>SHOULDER FEED-THRU</b>	
	DECIMAL ± .015 [38]												Drawn	S.M. 11-18-02	Scale	4 X
	ANGLES ±												Approved	B.Mc. 11-18-02		
	<b>TUSONIX</b> TUCSON, ARIZONA												<b>A</b>	<b>2461-002-X7V0-102M</b>		