

PLEASE CHECK WWW.MOLEX.COM FOR LATEST PART INFORMATION

Part Number: [0352720210](#)
Status: **Active**
Description: 6.00mm (.236") Tab Wire-to-Wire Plug Housing, Secondary Lock, 2 Circuits

Documents:

[Drawing \(PDF\)](#) [RoHS Certificate of Compliance \(PDF\)](#)
[Product Specification PS-35270-001 \(PDF\)](#)

General

Product Family	Crimp Housings
Series	35272
Comments	Polarized to Mating Part
Product Name	N/A

Physical

Circuits (maximum)	2
Color - Resin	Natural
Gender	Male
Glow-Wire Compliant	No
Keying to Mating Part	None
Lock to Mating Part	Yes
Material - Resin	Polyester
Number of Rows	2
Packaging Type	Bag
Panel Mount	Yes
Pitch - Mating Interface (in)	0.236 In
Pitch - Mating Interface (mm)	6.00 mm
Pitch - Term. Interface (in)	0.354 In
Pitch - Term. Interface (mm)	9.00 mm
Polarized to Mating Part	Yes
Stackable	No
Temperature Range - Operating	-40°C to +80°C

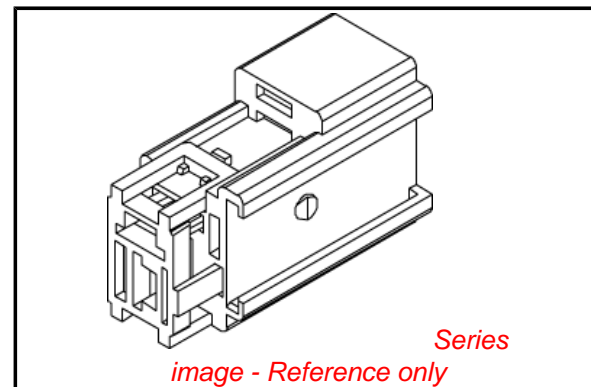
Electrical

Current - Maximum per Contact	6A
-------------------------------	----

Material Info

Reference - Drawing Numbers

Product Specification	PS-35270-001
Sales Drawing	SD-35272-0210



EU RoHS

**ELV and RoHS
Compliant**
REACH SVHC
 Not Reviewed
**Halogen-Free
Status**

China RoHS



**Need more information on product
environmental compliance?**

Email productcompliance@molex.com
 For a multiple part number RoHS Certificate of
 Compliance, [click here](#)

Please visit the [Contact Us](#) section for any
 non-product compliance questions.

Search Parts in this Series

[35272Series](#)

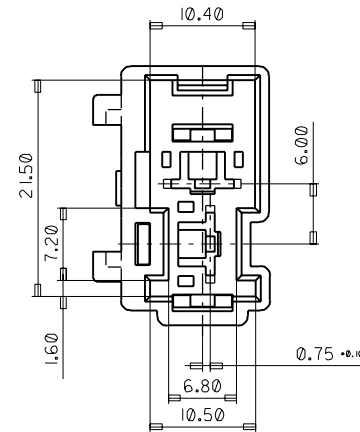
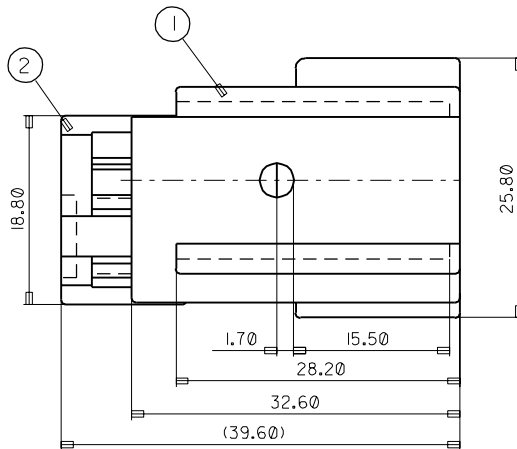
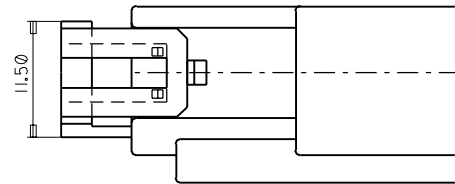
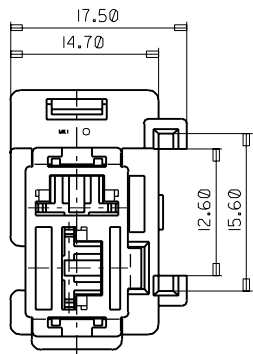
Mates With

[35270](#) Wire-to-Wire Receptacle Housing

Use With

[35725](#) Slip-In Wire-to-Wire Terminal

PROJECT NO. SIMILAR ITEM EDP NO. ENG. NO. SD 35272-0210



	P/NO.	PART NAME	MATERIAL
①	35272-0290	POWERMATE MALE HSG 2P	PBT (LUPOX GP 1000M) NATURAL
②	35271-0690	POWERMATE MALE TPA 2P	PBT (LUPOX GP 1000M) NATURAL

* APPLICABLE TERMINAL : 35725-30**, 18**, 19**

			MATERIAL SEE TABLE		MOLEX-KOREA CO.,LTD.	
			GENERAL TOLERANCE		DRAWN BY	
			DIMENSION : *0.20		961120 J.K.OH	
			ANGLE :		CHK'D BY	
			DIMENSION CLASSIFICATION		APP'D BY	
			▽ : CRITICAL ▼ : MAJOR		SCALE 2 : 1	
			() : REFERENCE		TITLE :	
A	NEW RELEASE	KOR1997-0153	971119	ASS'Y PART		SHEET
LTR	REVISION RECORD	ECN	DATE	DESCRIPTION ENG. NO.		POWERMATE MALE ASSY 2P 1/1
REVISE ONLY ON CAD SYSTEM				ENG. NO.		REV
				SD 35272-0210		A