

# Customer Information Sheet

DRAWING No.: M80-753XXXX

SHEET 2 OF 2

IF IN DOUBT - ASK

©

NOT TO SCALE

THIRD ANGLE PROJECTION

ALL DIMENSIONS IN mm

ORDER CODE:

**M80-753XXXX**

TOTAL No. OF WAYS

04, 06, 08, 10, 12, 14,  
16, 18, 20, 26, 34, 44

FINISH:

22 - GOLD ON CONTACT AREA  
TIN/LEAD ON TAILS  
42 - GOLD ON CONTACT AREA  
100% TIN ON TAILS

SPECIFICATIONS:

MATERIAL:

MOULDING = POLYAMIDE 46 UL94V-0, BLACK  
CONTACTS = PHOSPHOR BRONZE  
LATCHES = BERYLLIUM COPPER

FINISH:

CONTACTS:  
22 = 0.75µ GOLD ON CONTACT AREA.  
3.0µ TIN/LEAD ON TAILS  
42 = 0.75µ GOLD ON CONTACT AREA.  
3.0µ 100% TIN ON TAILS  
LATCH = 1.25µ NICKEL

ELECTRICAL:

CURRENT RATING (25°C) = 3.0A MAX.  
CURRENT RATING (85°C) = 2.2A MAX.  
WORKING VOLTAGE = 120V AC/DC  
VOLTAGE PROOF = 360V AC/DC

CONTACT RESISTANCE:

INITIAL = 20 mΩ MAX.  
AFTER CONDITIONING = 25 mΩ MAX.  
INSULATION RESISTANCE:  
INITIAL = 1000 MΩ MIN.  
AFTER CONDITIONING = 100 MΩ MIN.

MECHANICAL:

DURABILITY = 500 OPERATIONS

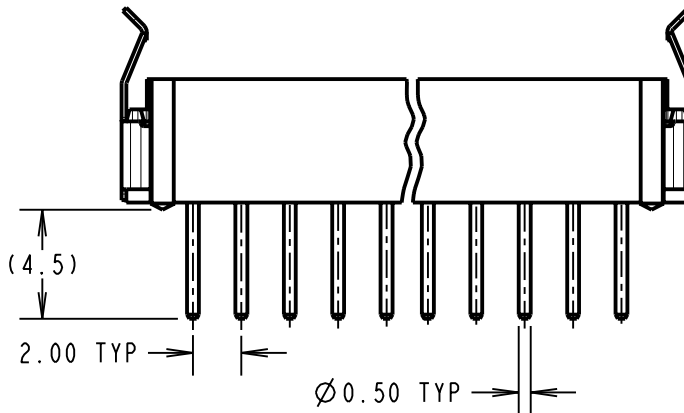
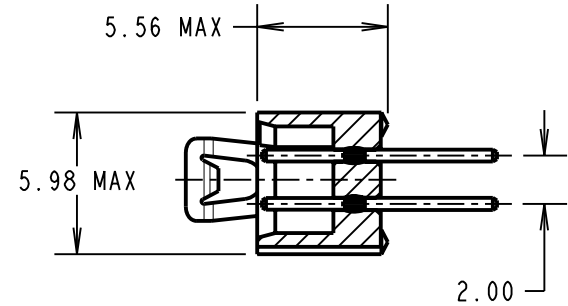
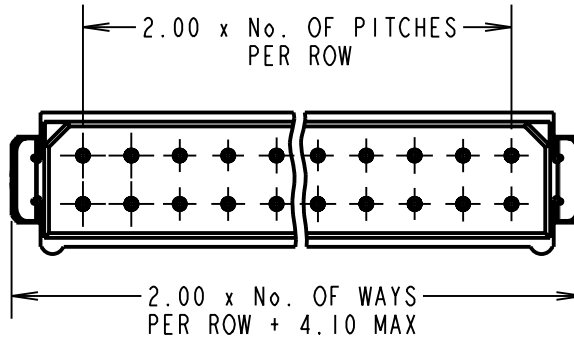
ENVIRONMENTAL:

TEMPERATURE RANGE = -55°C TO +125°C

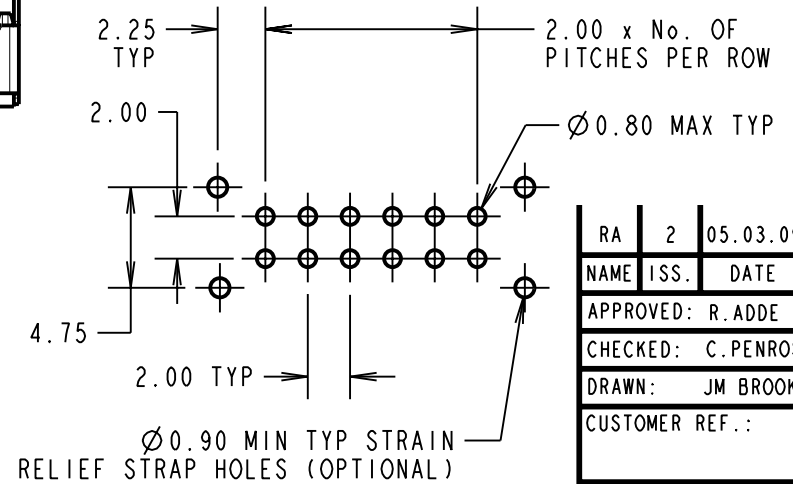
PACKING:

TUBE

FOR COMPLETE SPECIFICATION, SEE  
COMPONENT SPEC C005XXX (LATEST ISSUE)



RECOMMENDED PCB LAYOUT



NOTES:

1. 2-OFF STRAIN RELIEF STRAPS  
M80-0030006 MAY BE USED  
WITH THIS CONNECTOR.

RA	2	05.03.09	10303
NAME	ISS.	DATE	C/NOTE
APPROVED: R.ADDE			
CHECKED: C.PENROSE			
DRAWN: JM BROOKES			
CUSTOMER REF.:			
ASSEMBLY DRG:			

**HARWIN**

HARWIN USA  
TEL: 603 893 5376  
FAX: 603 893 5396  
mis@harwin.com

HARWIN Europe (UK)  
TEL: 023 9231 4545  
FAX: 023 9231 4590  
mis@harwin.co.uk

HARWIN Asia  
TEL: +65 6 779 4909  
FAX: +65 6 779 3868  
mis@harwin.com.sg

THIS DRAWING AND ANY  
INFORMATION OR DESCRIPTIVE  
MATTER SET OUT HEREON ARE  
CONFIDENTIAL AND COPYRIGHT  
PROPERTY OF THE HARWIN  
GROUP AND MUST NOT BE  
DISCLOSED, LOANED, COPIED  
OR USED FOR MANUFACTURING,  
TENDERING OR FOR ANY  
OTHER PURPOSE WITHOUT  
THEIR WRITTEN PERMISSION.

TOLERANCES

X. = ±1mm  
X.X = ±0.25mm  
X.XX = ±0.10mm  
X.XXX = ±0.01mm

ANGLES = ±5°

UNLESS STATED

MATERIAL:

SEE ABOVE

FINISH: SEE ABOVE

S/AREA:

mm<sup>2</sup>

TITLE:

DATAMATE DIL  
VERTICAL MALE PC TAIL  
ASSEMBLY - LATCHED

DRAWING NUMBER:

**M80-753XXXX**

SHT  
2 OF 2