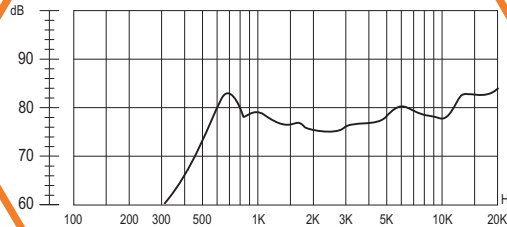
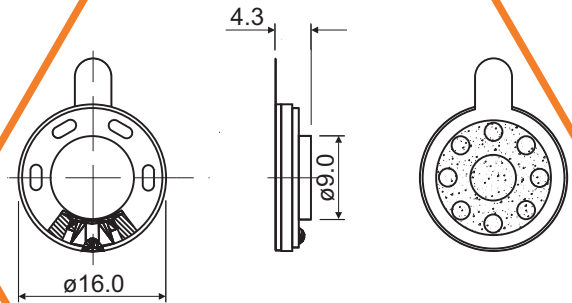


SoniCrest SPEAKER SOUND GENERATORS

HSB16C



Dimension

Unit : mm
Tolerance : ± 0.3 mm

Frequency Response

Normalized to 1W Input Power and
1m Measuring Distance

- **Specification** (all data taken at 25°C unless otherwise specified)

Coil Impedance (Ω)	Rated Power (W)	Maximum Input Power (W)	Resonance Frequency (Hz)	★Frequency Range (Hz)	★Sound Output at 1kHz (dB)	Operating Temperature (°C)	Storage Temperature (°C)
16 \pm 15%	0.2	0.5	700 \pm 20%	700 ~ 20000	77 \pm 3	-20 ~ +60	-20 ~ +70

HSB16C-16

The specification are only for 16 Ω version. Specification for other impedance is available upon request.
★Value normalized to 1W input power and 1m measuring distance.