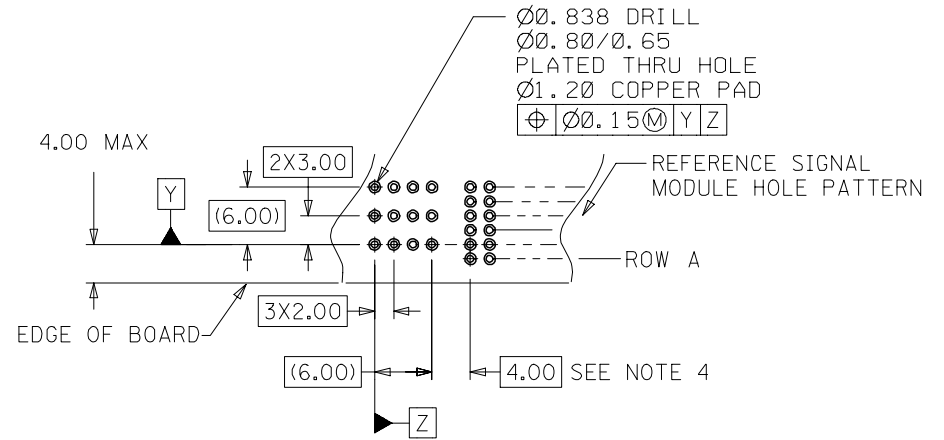


NOTES:

1. MATERIALS:
HOUSING - LIQUID CRYSTAL POLYMER (LCP), GLASS-FILLED, UL 94V-0, COLOR BLACK
TERMINAL - COPPER ALLOY
2. FINISH:
ASSEMBLIES WITH PRESSFIT TAILS:
0.76 MINIMUM SELECTIVE GOLD (Au) IN CONTACT AREA,
SELECTIVE TIN/LEAD (Sn/Pb) ON PC TAILS
OVER NICKEL (Ni) UNDERPLATE OVERALL.
ASSEMBLIES WITH SOLDER TAILS:
0.76 MINIMUM SELECTIVE GOLD (Au) IN CONTACT AREA,
SELECTIVE TIN (Sn) ON PC TAILS
OVER NICKEL (Ni) UNDERPLATE OVERALL.
3. THIS PART CONFORMS TO MOLEX PRODUCT SPECIFICATION PS-73670-9999.
4. THIS DIMENSION MUST BE A MULTIPLE OF 4.00mm.
5. DIMENSIONS ARE IN MILLIMETERS AND ARE FOR LAYOUT PURPOSES ONLY.
6. DIMENSIONS AND TOLERANCES SUBJECT TO CHANGE WITHOUT NOTICE.

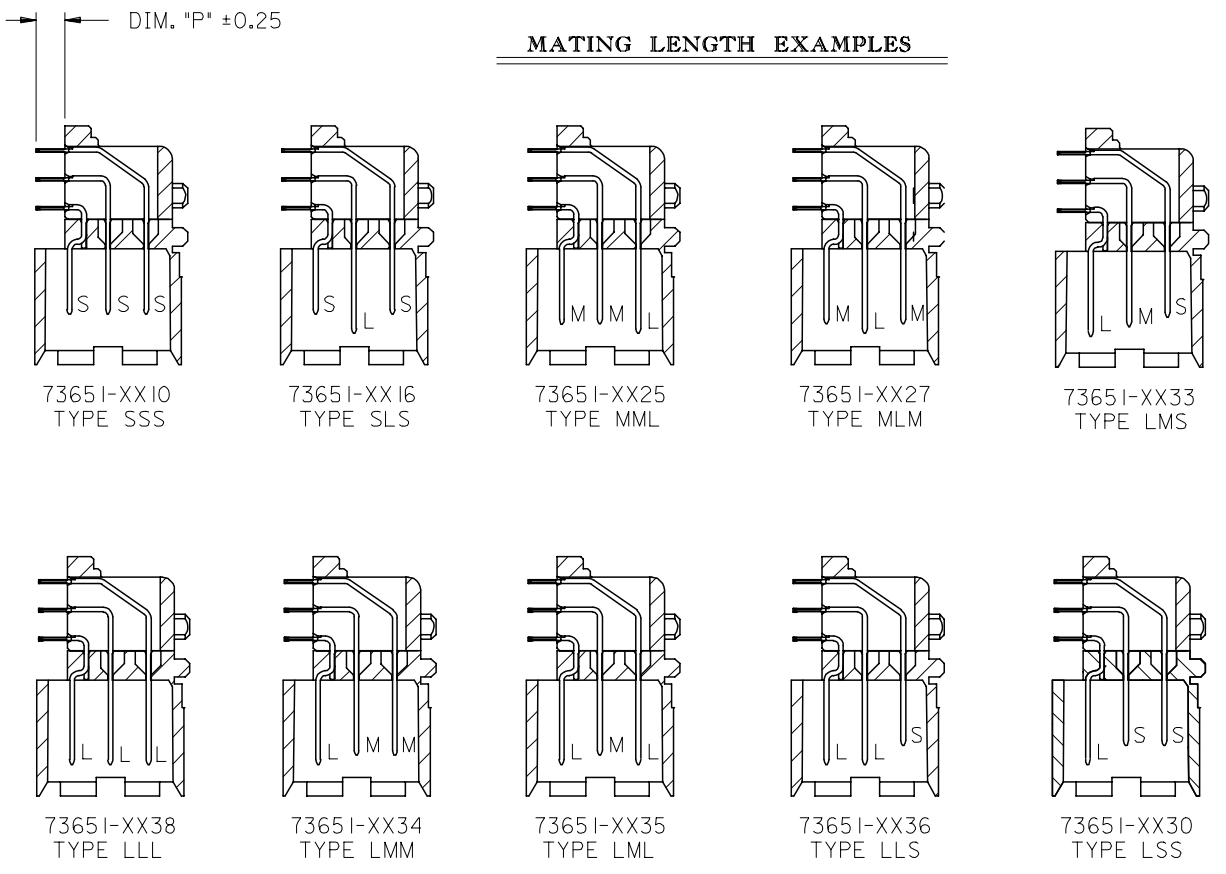


PCB LAYOUT: COMPONENT SIDE
RECOMMENDED PCB THICKNESS: 1.60 MIN
(FOR SOLDER TAIL AND PRESS FIT)

MODIFY FINISH EC NO: UCP2007-1348 TDRWNMSIBARRA 2006/12/29 CHKD:BBARKER 2007/01/04 APPR:SMILLER 2007/01/05	QUALITY SYMBOLS ▽=0 ▽=0	GENERAL TOLERANCES (UNLESS SPECIFIED)		DIMENSION STYLE MM ONLY		SCALE 2:1	DESIGN UNITS METRIC	THIRD ANGLE PROJECTION	
			mm	INCH	DRAWN BY JRP	DATE 199/07/22	TITLE SALES ASSEMBLY HDM DAUGHTERCARD POWER MODULE		
					CHECKED BY PAR	DATE 1996/07/22			
					APPROVED BY CAB	DATE 1996/07/22	MATERIAL NO. SEE SHEET 2		
			DRAFT WHERE APPLICABLE MUST REMAIN WITHIN DIMENSIONS		DOCUMENT NO. SDA-73651-****		SHEET NO. 1 OF 2		
			THIS DRAWING CONTAINS INFORMATION THAT IS PROPRIETARY TO MOLEX INCORPORATED AND SHOULD NOT BE USED WITHOUT WRITTEN PERMISSION						

MATING LENGTH EXAMPLES

DIM. "P" ±0.25



MATERIAL NUMBER ASSIGNMENT

TAIL TYPE
 0 = SOLDER
 1 = PRESS FIT

73651- * * * *

PC TAIL LENGTH

CODE	DIM "P"
0	2.00
1	2.50
2	3.00
3	3.50
4	4.00
5	2.75

MATING LENGTH		
10 = SSS	20 = MSS	30 = LSS
11 = SSM	21 = MSM	31 = LSM
12 = SSL	22 = MS�	32 = LSL
13 = SMS	23 = MMS	33 = LMS
14 = SMM	24 = MMM	34 = LMM
15 = SML	25 = MML	35 = LML
16 = SLS	26 = MLS	36 = LLS
17 = SLM	27 = MLM	37 = LLM
18 = SLL	28 = MLL	38 = LLL

PRESSFIT TAILS AVAILABLE IN THESE LENGTHS ONLY

UPDATE BORDER EC NO: UCP2007-1348 TTD:RWMSIBARRA 2006/12/29 CHKD:BBARKER 2007/01/04 APPR:SMILLER 2007/01/05	QUALITY SYMBOLS ▽=0 ▽=0	GENERAL TOLERANCES (UNLESS SPECIFIED)		DIMENSION STYLE MM ONLY		SCALE 2:1	DESIGN UNITS METRIC	THIRD ANGLE PROJECTION	
						DRAWN BY JRP		DATE 199/07/22	
						CHECKED BY PAR		DATE 1996/07/22	
						APPROVED BY CAB		DATE 1996/07/22	
		ANGULAR ±1/2°		MATERIAL NO. SEE CHART		DOCUMENT NO. SDA-73651-****		SHEET NO. 2 OF 2	
		DRAFT WHERE APPLICABLE MUST REMAIN WITHIN DIMENSIONS		SIZE B		THIS DRAWING CONTAINS INFORMATION THAT IS PROPRIETARY TO MOLEX INCORPORATED AND SHOULD NOT BE USED WITHOUT WRITTEN PERMISSION			

MATERIAL NUMBER ASSIGNMENT

TAIL TYPE

- Ø = SOLDER
- I = PRESS FIT

73651- * * * *

PC TAIL LENGTH

CODE	DIM "P"
Ø	2.00
1	2.50
2	3.00
3	3.50
4	4.00
5	2.75

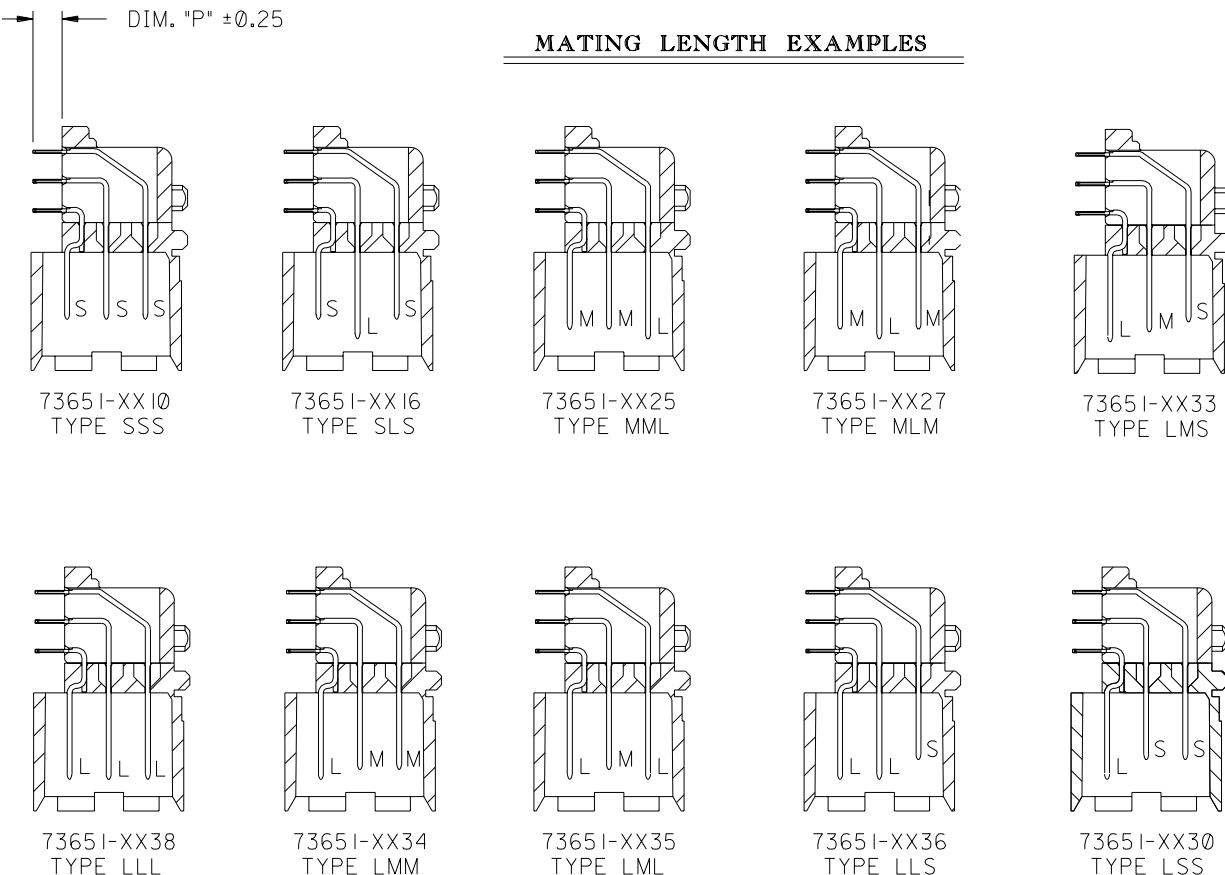
MATING LENGTH

10 = SSS	20 = MSS	30 = LSS
11 = SSM	21 = MSM	31 = LSM
12 = SSL	22 = MSL	32 = LSL
13 = SMS	23 = MMS	33 = LMS
14 = SMM	24 = MMM	34 = LMM
15 = SML	25 = MML	35 = LML
16 = SLS	26 = MLS	36 = LLS
17 = SLM	27 = MLM	37 = LLM
18 = SLL	28 = MLL	38 = LLL

PRESSFIT TAILS AVAILABLE IN THESE LENGTHS ONLY

DIM. "P" ±0.25

MATING LENGTH EXAMPLES



DIMENSIONS SHOWN (METRIC) INCH

UNLESS OTHERWISE SPECIFIED TOLERANCES: ANGULAR ± 1/2°

	INCH	METRIC
3 PLACE	± N/A	---
2 PLACE	± N/A	± ---
1 PLACE	---	± ---

DRAFT WHERE APPLICABLE MUST REMAIN WITHIN DIMENSIONS

DRWG. BY: JRR CHK'D. BY: SMR
APP'D. BY: CAB SCALE: 2 : 1

▽ = 0 ▼ = 0 REVISE ONLY ON CAD SYSTEM

TITLE

SALES ASSY, HDM DAUGHTER CARD POWER MODULE

MOLEX INCORPORATED SHEET NO. 2 DATE 96/07/22
LISLE, ILL. 60532 U.S.A.

FILE NAME SDA-73651-***
SEE CHART

THIS DRAWING CONTAINS INFORMATION THAT IS PROPRIETARY TO MOLEX INC. AND SHOULD NOT BE USED WITHOUT WRITTEN PERMISSION. DIV. DA SIZE B

LTR.	REVISIONS	LTR.	REVISIONS
		A	SEE SHEET I
		B	SEE SHEET I
		C	SEE SHEET I
		D	SEE SHEET I
		E	SEE SHEET I