

FEATURES AND SPECIFICATIONS

Features and Benefits

- Sizes 4 to 25 circuits
- Used primarily for remote interconnections
- Locking crown secures positive latch to connector
- Polarization slots guide front ribs of mating connector to prevent pin damage
- Mounting ears for insertion into .030 to .090" thick panels
- Mates single or modular branch pin assemblies with modular branch connector assemblies in an interim clip

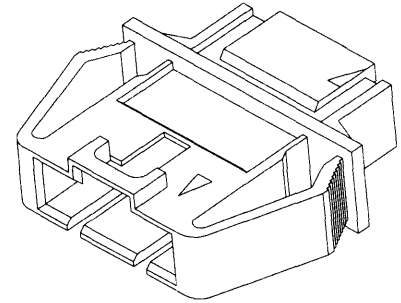
Reference Information

Packaging: Bag
 UL File No.: E29179
 CSA File No.: LR19980
 Mates With: 70004 front side, and 70066D and 70475D pin assemblies back side
 Designed In: Inches

molex® 2.54mm (.100") Pitch
SL™

**Wire-to-Wire
 Panel Mount Connector**

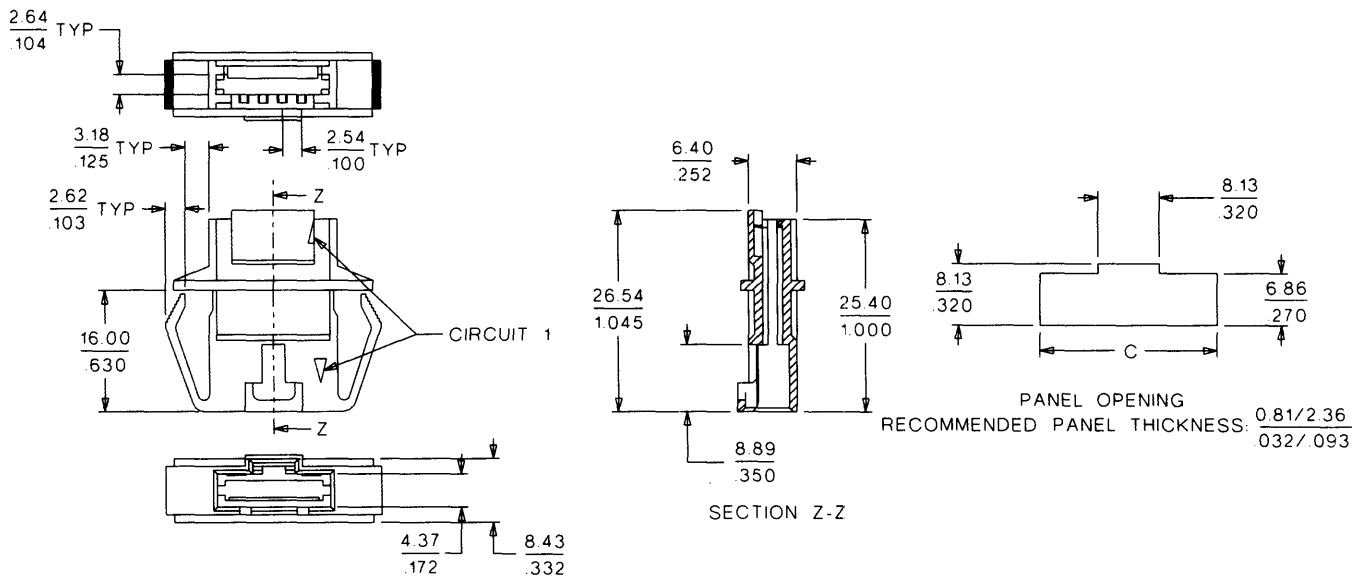
**70104
 Single Row
 Modular Branch**



2.54mm (.100") Pitch

CATALOG DRAWING (FOR REFERENCE ONLY)

Not For Use With Molex C-Grid III™ Components



ORDERING INFORMATION AND DIMENSIONS

Circuits	Order No.	Dimension
		Panel Opening C
4	• 50-65-0104	20.95 (1.825)
5	• 50-65-0105	23.49 (.925)
6	• 50-65-0106	26.03 (1.025)
7	• 50-65-0107	28.57 (1.125)
8	• 50-65-0108	31.11 (1.225)
9	• 50-65-0109	33.65 (1.325)
10	• 50-65-0110	36.19 (1.425)
11	• 50-65-0111	38.73 (1.575)
12	• 50-65-0112	41.27 (1.625)
13	• 50-65-0113	43.81 (1.725)
14	• 50-65-0114	46.35 (1.825)

Circuits	Order No.	Dimension
		Panel Opening C
15	• 50-65-0115	48.89 (1.925)
16	• 50-65-0116	51.43 (2.025)
17	• 50-65-0117	53.97 (2.125)
18	• 50-65-0118	56.51 (2.225)
19	• 50-65-0119	59.05 (2.325)
20	• 50-65-0120	61.59 (2.425)
21	• 50-65-0121	64.13 (2.525)
22	• 50-65-0122	66.67 (2.625)
23	• 50-65-0123	69.21 (2.725)
24	• 50-65-0124	71.75 (2.825)
25	• 50-65-0125	74.79 (2.925)

• US Standard Product, available through Molex franchised distributors