

**PLEASE CHECK WWW.MOLEX.COM FOR LATEST PART INFORMATION**

**Part Number:** [0393740903](#)  
**Status:** **Active**  
**Description:** 7.50mm (.295") Beau™ Eurostyle™ Pluggable PCB Terminal Block, 270° Wire Entry, 3 Circuits

**Documents:**

[Drawing \(PDF\)](#) [RoHS Certificate of Compliance \(PDF\)](#)

**Agency Certification**

UL E48521

**General**

Product Family	Terminal Blocks
Series	39374
Application	Wire-to-Board
Component Type	Plug
Product Literature Order No	USA-261
Product Name	Eurostyle™ Pluggable
Type	Euro Block

**Physical**

Circuits (Loaded)	3
Entry Angle	270° Angle
Flammability	94V-0
Lock to Mating Part	None
Number of Rows	1
Orientation	Vertical
PCB Retention	N/A
Panel Mount	No
Pitch - Mating Interface (in)	0.295 In
Pitch - Mating Interface (mm)	7.50 mm
Polarized to Mating Part	Yes
Stackable	Yes
Temperature Range - Operating	110°C
Wire Size AWG	12, 14, 16, 18, 20, 22, 24, 26, 28, 30
Wire Size mm²	0.05 - 2.50

**Electrical**

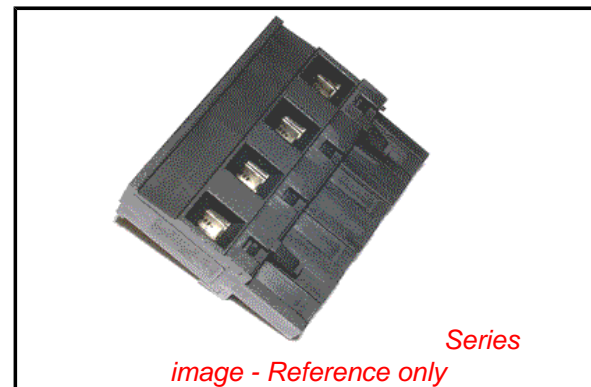
Current - Maximum per Contact	15A
Voltage - Maximum	300V

**Material Info**

Old Part Number	370903
-----------------	--------

**Reference - Drawing Numbers**

Sales Drawing	SD-39374-002
---------------	--------------



**EU RoHS**

**ELV and RoHS  
Compliant**  
**REACH SVHC**  
 Not Reviewed  
**Halogen-Free  
Status**  
**Not Reviewed**

**China RoHS**



**Need more information on product  
environmental compliance?**

Email [productcompliance@molex.com](mailto:productcompliance@molex.com)  
 For a multiple part number RoHS Certificate of  
 Compliance, [click here](#)

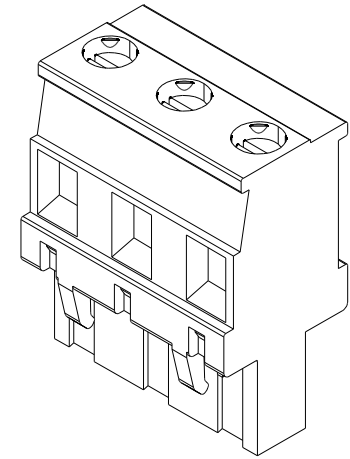
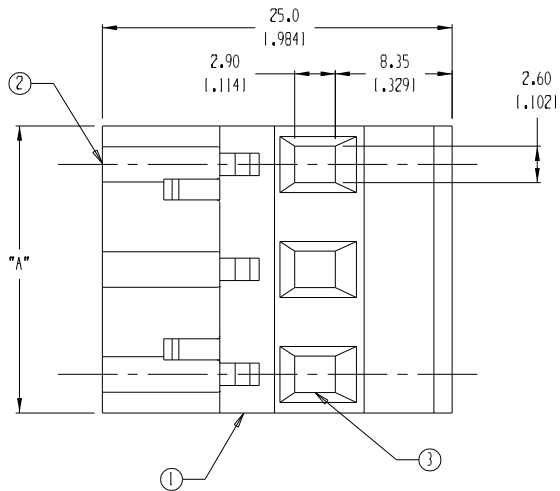
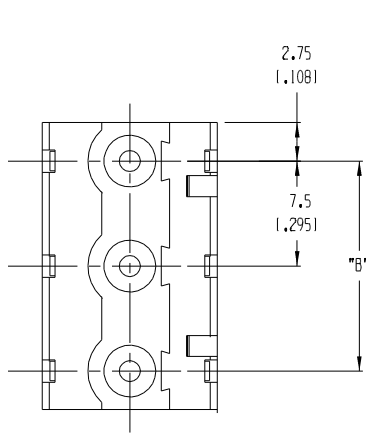
Please visit the [Contact Us](#) section for any  
 non-product compliance questions.

**Search Parts in this Series**

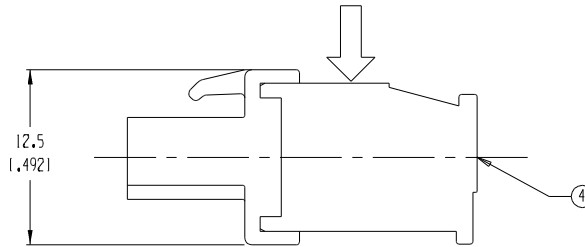
39374Series

**Mates With**

39372 & 39373 Headers



MATERIAL NUMBER	NUMBER OF CIRCUITS "XX"	A		B	
039374-0902	2	13.0	1.511	7.50	1.2951
039374-0903	3	20.5	10.811	15.00	1.5911
039374-0904	4	28.0	11.101	22.50	1.8861
039374-0905	5	35.5	11.401	30.00	1.1811
039374-0906	6	43.0	11.691	37.50	1.4761
039374-0907	7	50.5	11.991	45.00	1.7721
039374-0908	8	58.0	12.281	52.50	1.20671
039374-0909	9	65.5	12.581	60.00	1.23621
039374-0910	10	73.0	12.871	67.50	1.26571
039374-0911	11	80.5	13.171	75.00	1.29531
039374-0912	12	88.0	13.461	82.50	1.32481



- NOTES:
1. MATERIAL: SEE TABLE
  2. FINISHES: SEE TABLE
  3. PRODUCT SPECIFICATION: NOT REQUIRED
  4. PACKAGING: NOT REQUIRED
  5. MATES WITH: 7.5MM HEADER
  6. "XX" - REFERS TO THE NUMBER OF CIRCUIT POSITIONS

ITEM	QTY.	DESCRIPTION	MATERIAL	FINISH
4	XX	SCREW	COPPER ALLOY	NICKEL-PLATED
3	XX	CAGE CLAMP	COPPER ALLOY	NICKEL-PLATED
2	XX	TERMINAL	PHOS. BRONZE	TIN-PLATED
1	1	HOUSING	POLYAMIDE	BLACK

EC NO. 3846 DRWN: CY 09-03-04 CH: K APPR:	QUALITY SYMBOLS MAJOR CRITICAL SPC	GENERAL TOLERANCES: (UNLESS SPECIFIED) mm      INCH		SCALE 3:1 DESIGN UNITS <input type="checkbox"/> mm <input checked="" type="checkbox"/> INCH	THIRD ANGLE PROJECTION	PROJECT NO. - DIMENSIONS: <input checked="" type="checkbox"/> mm <input type="checkbox"/> INCH <input type="checkbox"/> mm ONLY	SHT REV
		4 PLACES ±.0015 3 PLACES ±.038 ±.005 2 PLACES ±.13 ±.01 1 PLACE ±.3	DRAWN BY & DATE W HOWARD 07/21/03	TITLE: 7.5MM VERT PLUG, FRONT WIRE ENTRY		REVISE ON CAD ONLY	
		ANGULAR: ±2°	CHECKED BY & DATE R. KEMP 07/23/03	APPROVED BY & DATE P. WALTZ 07/23/03		MOLEX INCORPORATED	
		DRAFT WHERE APPLICABLE MUST REMAIN WITHIN DIMENSIONS	CAD FILENAME 3709XX	MATERIAL NO. SEE CHART	DRAWING NO. SD-39374-002	SHEET NO. 1 OF 1	
THIS DRAWING CONTAINS INFORMATION THAT IS PROPRIETARY TO MOLEX INCORPORATED AND SHOULD NOT BE USED WITHOUT WRITTEN PERMISSION.						SIZE B	