

PLEASE CHECK WWW.MOLEX.COM FOR LATEST PART INFORMATION

Part Number: [0393740803](#)
Status: **Active**
Description: 7.50mm (.295") Beau™ Eurostyle™ Pluggable PCB Terminal Block, 90° Wire Entry, 3 Circuits

Documents:

[Drawing \(PDF\)](#) [RoHS Certificate of Compliance \(PDF\)](#)

Agency Certification

UL E48521

General

Product Family	Terminal Blocks
Series	39374
Application	Wire-to-Board
Component Type	Plug
Product Literature Order No	USA-261
Product Name	Eurostyle™ Pluggable
Type	Euro Block

Physical

Circuits (Loaded)	3
Entry Angle	90° Angle
Flammability	94V-0
Lock to Mating Part	None
Number of Rows	1
Orientation	Vertical
PCB Retention	N/A
Panel Mount	No
Pitch - Mating Interface (in)	0.295 In
Pitch - Mating Interface (mm)	7.50 mm
Polarized to Mating Part	Yes
Stackable	Yes
Temperature Range - Operating	110°C
Wire Size AWG	12, 14, 16, 18, 20, 22, 24, 26, 28, 30
Wire Size mm²	0.05 - 2.50

Electrical

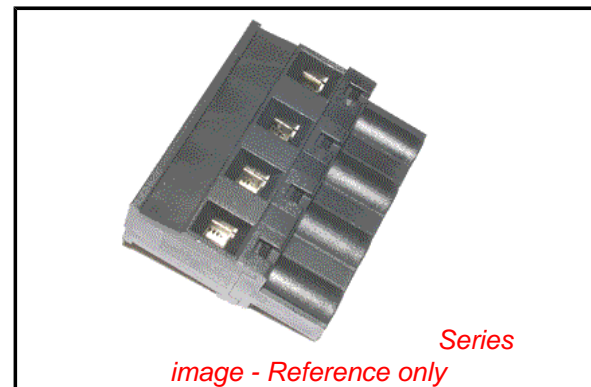
Current - Maximum per Contact	15A
Voltage - Maximum	300V

Material Info

Old Part Number	370803
-----------------	--------

Reference - Drawing Numbers

Sales Drawing	SD-39374-001
---------------	--------------



EU RoHS

**ELV and RoHS
Compliant**
REACH SVHC
 Not Reviewed
**Halogen-Free
Status**
Not Reviewed

China RoHS



**Need more information on product
environmental compliance?**

Email productcompliance@molex.com
 For a multiple part number RoHS Certificate of
 Compliance, [click here](#)

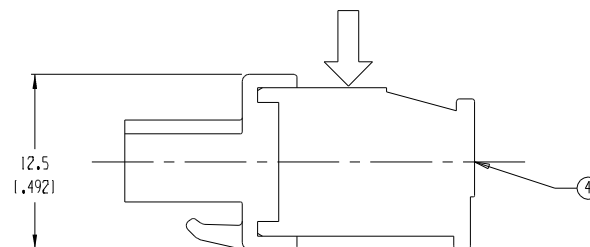
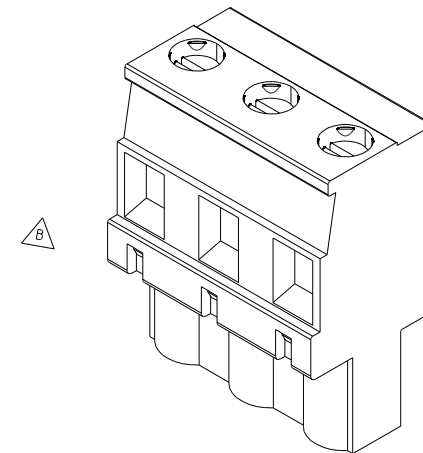
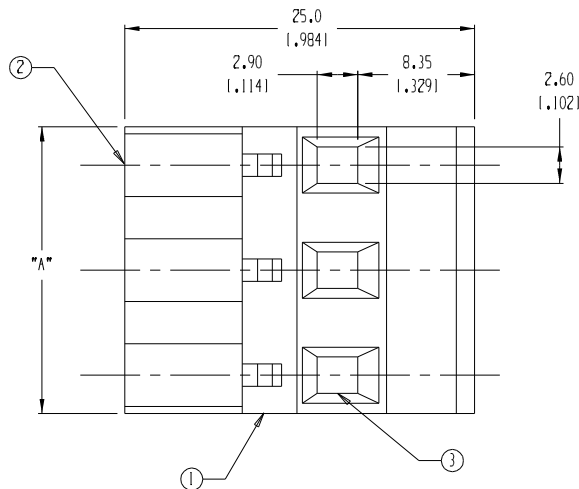
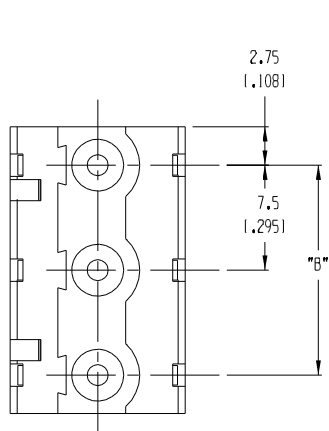
Please visit the [Contact Us](#) section for any
 non-product compliance questions.

Search Parts in this Series

[39374Series](#)

Mates With

39372 & 39373 Headers



MATERIAL NUMBER	NUMBER OF CIRCUITS "XX"	A	B
039374-0802	2	13.0 (1.511)	7.50 (1.2951)
039374-0803	3	20.5 (1.081)	15.00 (1.5911)
039374-0804	4	28.0 (1.110)	22.50 (1.8861)
039374-0805	5	35.5 (1.401)	30.00 (1.1811)
039374-0806	6	43.0 (1.691)	37.50 (1.4761)
039374-0807	7	50.5 (1.991)	45.00 (1.7721)
039374-0808	8	58.0 (2.281)	52.50 (2.0671)
039374-0809	9	65.5 (2.581)	60.00 (2.3621)
039374-0810	10	73.0 (2.871)	67.50 (2.6571)
039374-0811	11	80.5 (3.171)	75.00 (2.9531)
039374-0812	12	88.0 (3.461)	82.50 (3.2481)

NOTES:

1. MATERIAL: SEE TABLE
2. FINISHES: SEE TABLE
3. PRODUCT SPECIFICATION: NOT REQUIRED
4. PACKAGING: NOT REQUIRED
5. MATES WITH: 7.5MM HEADER
6. "XX" - REFERS TO THE NUMBER OF CIRCUIT POSITIONS

ITEM	QTY.	DESCRIPTION	MATERIAL	FINISH
4	XX	SCREW	COPPER ALLOY	NICKEL-PLATED
3	XX	CAGE CLAMP	COPPER ALLOY	NICKEL-PLATED
2	XX	TERMINAL	PHOS. BRONZE	TIN-PLATED
1	1	HOUSING	POLYAMIDE	BLACK

EC NO. ECN# 3846 DRWN: CY 09-03-04 CHK: K1 APPR:	QUALITY SYMBOLS MAJOR : CRITICAL : SPC : S :	GENERAL TOLERANCES: (UNLESS SPECIFIED)		SCALE 3:1	DESIGN UNITS <input type="checkbox"/> mm <input checked="" type="checkbox"/> INCH	THIRD ANGLE PROJECTION	PROJECT NO. - DIMENSIONS: <input checked="" type="checkbox"/> mm <input type="checkbox"/> INCH <input type="checkbox"/> mm ONLY	SHT - REV -
		4 PLACES ±.0015 3 PLACES ±.038 ±.005 2 PLACES ±.13 ±.01 1 PLACE ±.3	DRAWN BY & DATE W HOWARD 07/21/03	TITLE: 7.5MM VERT PLUG, REAR WIRE ENTRY				
		ANGULAR: ±2°	CHECKED BY & DATE R. KEMP 07/23/03	MOLEX INCORPORATED				
		DRAFT WHERE APPLICABLE MUST REMAIN WITHIN DIMENSIONS	APPROVED BY & DATE P. WALTZ 07/23/03	CAD FILENAME 3708XX	MATERIAL NO. SEE CHART	DRAWING NO. SD-39374-001	SHEET NO. 1 OF 1	

THIS DRAWING CONTAINS INFORMATION THAT IS PROPRIETARY TO MOLEX INCORPORATED AND SHOULD NOT BE USED WITHOUT WRITTEN PERMISSION.

SIZE B