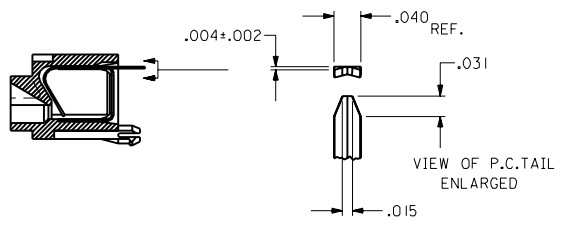
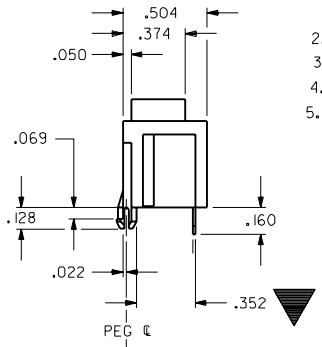
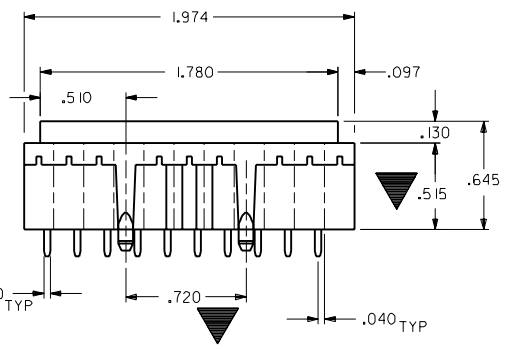
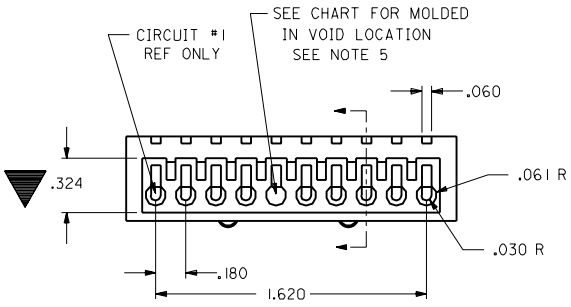
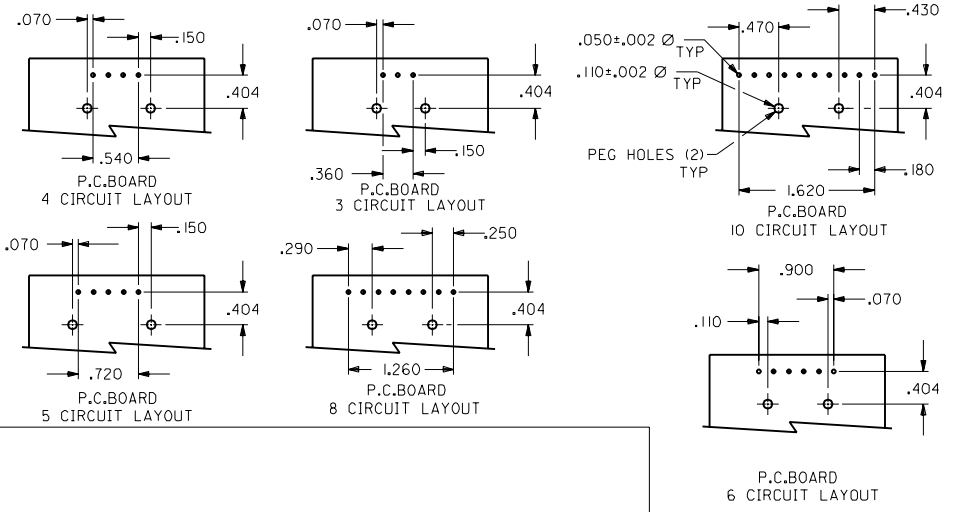


HOUSING TO BE MOLDED IN 3,4,5,6,8&10 CIRCUITS AS SHOWN  
NOTE P.C.BOARD LOCKING PEG LOCATIONS



- NOTES:
- FOR USE WITH 16AWG SOLID & 18AWG SOLID OR STRANDED WIRE WITH TIN TOP COAT OR 20AWG STRANDED WIRE WITH TIN TOP COAT. INSULATION O.D. .079/.118.
  - SUGGESTED STRIP LENGTH OF MATED WIRE TO BE WITHIN .320-.380 LONG.
  - MONITORED OR CHARTED DIMENSIONS.
  - FOR PRODUCT SPECIFICATIONS SEE PS-42732.
  - TUBE PACK PER: PK-44743-003

MATERIAL:  
HOUSING- POLYESTER (7½% GLASS FILLED); COLOR- WHITE  
TERMINAL- .013 THICK PHOS. BRONZE PRE-TIN PLATE

UNLESS OTHERWISE SPECIFIED TOLERANCES: ANGULAR ± 1°		DIMENSIONS SHOWN METRIC (INCH)		▽ = 0 ▼ = 9 REVISE ONLY ON CAD SYSTEM	
INCH		METRIC		TITLE	
3 PLACE ± .006	---	3 PLACE ± .006	---	WIRE TRAP ASSEMBLY	
2 PLACE ± .001	± .023	2 PLACE ± .001	± .023	PART NO. SEE CHART	
1 PLACE ---	± .085	1 PLACE ---	± .085	MFG. SHL. REV.	
DRAFT WHERE APPLICABLE MUST REMAIN WITHIN DIMENSIONS		DRAFT WHERE APPLICABLE MUST REMAIN WITHIN DIMENSIONS		MOLEX INCORPORATED SHEET NO. DATE	
DRG. BY: EDGLEY LENZ		CHKD. BY: LENZ		LISLE, ILL. 60532 U.S.A. 1 OF 2 10/26/90	
APP'D. LENZ		SCALE: 2:1		FILE NAME: S42732X1	
LTR. REVISIONS		LTR. REVISIONS		THIS DRAWING CONTAINS INFORMATION THAT IS PROPRIETARY TO MOLEX INC. AND SHOULD NOT BE USED WITHOUT WRITTEN PERMISSION.	
				DIV. SIZE C C	

42732

R4  
S

10/26/90

SDA-42732-0

