



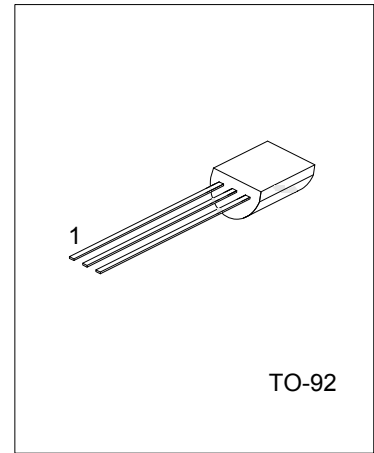
PCR406

SCR

SCRS

DESCRIPTION

The UTC **PCR406** silicon controlled rectifiers are high performance planar diffused PNP devices. These parts are intended for low cost high volume applications.



Lead-free: PCR406L
Halogen-free: PCR406G

ORDERING INFORMATION

Ordering Number			Package	Pin Assignment			Packing
Normal	Lead Free Plating	Halogen Free		1	2	3	
PCR406-5-x-T92-B	PCR406L-5-x-T92-B	PCR406G-5-x-T92-B	TO-92	K	G	A	Tape Box
PCR406-5-x-T92-K	PCR406L-5-x-T92-K	PCR406G-5-x-T92-K	TO-92	K	G	A	Bulk
PCR406-6-x-T92-B	PCR406L-6-x-T92-B	PCR406G-6-x-T92-B	TO-92	K	G	A	Tape Box
PCR406-6-x-T92-K	PCR406L-6-x-T92-K	PCR406G-6-x-T92-K	TO-92	K	G	A	Bulk

Note: Pin Assignment: K: Cathode G: Gate A: Anode

<p>PCR406L-5-x-T92-B</p>	<p>(1) B: Tape Box, K: Bulk (2) T92: TO-92 (3) x: refer to Classification of I_{GT} (4) G: Halogen Free, L: Lead Free, Blank: Pb/Sn</p>
--------------------------	---

■ ABSOLUTE MAXIMUM RATING

PARAMETER		SYMBOL	RATINGS	UNIT
Repetitive Peak Off-State Voltage ($T_{OPR} = -40 \sim +125^{\circ}C$, $R_{GK} = 1k\Omega$)	PCR406-5	V_{DRM}	300	V
	PCR406-6		400	V
On State Current ($T_C=40^{\circ}C$)		$I_{T(RMS)}$	0.8	A
Average On State Current (Half Cycle=180, $T_C=40^{\circ}C$)		$I_{T(AV)}$	0.5	A
Peak Reverse Gate Voltage ($I_{GR}=10\mu A$)		V_{GRM}	1	V
Peak Gate Current (10us Max.)		I_{GM}	0.1	A
Gate Dissipation (20ms Max.)		$P_{G(AV)}$	150	mW
Operating Temperature		T_{OPR}	-40~ +125	$^{\circ}C$
Storage Temperature		T_{STG}	-40~ +125	$^{\circ}C$

Note Absolute maximum ratings are those values beyond which the device could be permanently damaged.
 Absolute maximum ratings are stress ratings only and functional device operation is not implied.

■ ELECTRICAL CHARACTERISTICS ($T_a=25^{\circ}C$, unless otherwise specified)

PARAMETER		SYMBOL	TEST CONDITIONS	MIN	TYP	MAX	UNIT
Off State Leakage Current	$T_J=125^{\circ}C$	I_{DRM}	$V_{DRM}(R_{GK}=1K\Omega)$			0.1	mA
	$T_J=25^{\circ}C$		$V_{DRM}(R_{GK}=1K\Omega)$			1.0	μA
On State Voltage		V_T	$I_T=0.4A$			1.4	V
			$I_T=0.8A$			2.2	V
On State Threshold Voltage	$T_J=125^{\circ}C$	$V_{T(TO)}$				0.95	V
On State Slops Resistance	$T_J=125^{\circ}C$	R_t				600	m
Gate Trigger Current		I_{GT}	$V_D=7V$			200	μA
Gate Trigger Voltage		V_{GT}	$V_D=7V$			0.8	V
Holding Current		I_H	$R_{GK}=1K\Omega$			5	mA
Latching Current		I_L	$R_{GK}=1K\Omega$			6	mA
Gate Controlled Delay Time		T_{GD}	$I_G=10mA, dI_G/dt=0.1A/\mu s,$			2.2	μs
Commutated Turn-Off Time	$T_J=85^{\circ}C$	T_G	$V_D=0.67 \times V_{DRM}, V_R=35V, I_T=I_{T(AV)}$			200	μs

■ CLASSIFICATION OF I_{GT}

RANK	B	C	AA	AB	AC	AD
RANGE	50-100 μA	100-200 μA	8-15 μA	15-20 μA	20-25 μA	25-50 μA

UTC assumes no responsibility for equipment failures that result from using products at values that exceed, even momentarily, rated values (such as maximum ratings, operating condition ranges, or other parameters) listed in products specifications of any and all UTC products described or contained herein. UTC products are not designed for use in life support appliances, devices or systems where malfunction of these products can be reasonably expected to result in personal injury. Reproduction in whole or in part is prohibited without the prior written consent of the copyright owner. The information presented in this document does not form part of any quotation or contract, is believed to be accurate and reliable and may be changed without notice.