



SANYO Semiconductors

DATA SHEET

LA8160V — Monolithic Linear IC AGC Amplifier and Pre Amplifier

Overview

The LA8160V is an AGC amplifier for the digital ADC and a pre amplifier for the analog SAW filter.

Features

- VCC = 5V
- IF Input Frequency Range 30 to 100MHz
- AGC Amplifier Gain 30dB
- AGC Gain Reduction 40dB
- AGC Amplifier Output Amplitude 2Vp-p (differential)

- Pre Amplifier Gain 29dB
- Pre Amplifier Output Amplitude 2Vp-p

Functions

- IF AGC control
- IF AGC amplifier for AD Converter
- Pre Amplifier for SAW Filter
- Function mode switch

Notes : This device is ESD sensitive. So, the device should be treated carefully.

■ Any and all SANYO Semiconductor Co.,Ltd. products described or contained herein are, with regard to "standard application", intended for the use as general electronics equipment (home appliances, AV equipment, communication device, office equipment, industrial equipment etc.). The products mentioned herein shall not be intended for use for any "special application" (medical equipment whose purpose is to sustain life, aerospace instrument, nuclear control device, burning appliances, transportation machine, traffic signal system, safety equipment etc.) that shall require extremely high level of reliability and can directly threaten human lives in case of failure or malfunction of the product or may cause harm to human bodies, nor shall they grant any guarantee thereof. If you should intend to use our products for applications outside the standard applications of our customer who is considering such use and/or outside the scope of our intended standard applications, please consult with us prior to the intended use. If there is no consultation or inquiry before the intended use, our customer shall be solely responsible for the use.

■ Specifications of any and all SANYO Semiconductor Co.,Ltd. products described or contained herein stipulate the performance, characteristics, and functions of the described products in the independent state, and are not guarantees of the performance, characteristics, and functions of the described products as mounted in the customer's products or equipment. To verify symptoms and states that cannot be evaluated in an independent device, the customer should always evaluate and test devices mounted in the customer's products or equipment.

LA8160V

Maximum Ratings at Ta = 25°C

Parameter	Symbol	Conditions	Ratings	Unit
Maximum supply voltage	V _{CC} max	Pin 3, 4, 14	6.0	V
Maximum pin voltage	V max11	Pin 11	6.5	V
Circuit voltages	V max	Pin 8, 9	V _{CC}	V
Circuit current	I ₆	Pin 6 sink current	2	mA
	I ₇	Pin 7 sink current	2	mA
Allowable power dissipation	Pd max	Ta ≤ 85°C	430*	mW
Operating temperature	Topr		-20 to +85	°C
Storage temperature	Tstg		-55 to +150	°C

*On the board (60 × 70 × 1.6mm³ Double-Layers epoxy glass)

Recommended Operating Conditions at Ta = 25°C

Parameter	Symbol	Conditions	Ratings	Unit
Recommended supply voltage	V _{CC}	Pin 3, 4, 11, 14	5.0	V
Operating supply voltage range	V _{CC} op	Pin 3, 4, 11, 14	4.5 to 5.45	V

Electrical Characteristics

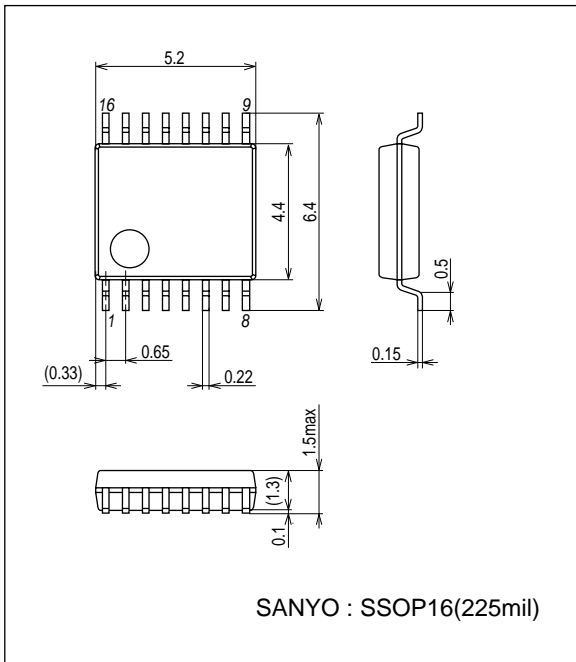
AC Characteristics at Ta = 25°C, V_{CC} = 5.0V

Parameter	Symbol	Pin No.	Conditions	Ratings			Unit	
				min	typ	max		
Input frequency range	f (in)	1, 16		*1	30		100	MHz
AGC amp section [V8 = Lo]								
AGC amp circuit current	I _{CC1}	3, 4	No signal	*1	29	39	48	mA
AGC amp maximum gain	G max	6/1, 16 7/1, 16	V ₉ = 2.5V f = 45.75MHz	*1	26	30	32	dB
AGC amp noise figure	NF1	6, 7	V ₉ = 2.5V, f = 45.75MHz			8		dB
Intermodulation	IM3	6/1, 16 7/1, 16	V _{IN} = 30dBmV, f = 45MHz, 50MHz Output level = 1Vp-p	*1	45	54		dB
AGC range	GR	6/1, 16 7/1, 16	Output level < ±1dB f = 45.75MHz	*1	40			dB
Output level 1	V _{O6}	6		*1		1.0		Vp-p
Output level 2	V _{O7}	7		*1		1.0		Vp-p
Maximum AGC voltage	V ₉ max	9	Maximum gain		2.5		V _{CC}	V
LO leakage	Lp	6, 7	Lp = 6, 7/11 AGC amp gain = max	*2		-48	-40	dBc
Pre amp section [V8 = Hi]								
Pre amp. circuit current	I _{CC2}	3, 11, 14	No signal	*3	50	67	79	mA
Pre amp gain	G2	11/1, 16	f = 45.75MHz	*3	25	29	31	dB
Pre amp noise figure	NF2	11	f = 45.75MHz			8		dB
920k beat level	B920	11	P/C = 15dB, P/S = 15dB Output level = 2Vp-p	*4		-78	-74	dBc
Output level	V _{O11}	11	V _{IN} = 27dBmV	*3	1.3	2.0	2.5	Vp-p
Function switch Section								
AGC amp active	V8L	8	I3, 4, 14 = ON, I11 = OFF				0.8	V
Pre amp active	V8H	8	I4 = OFF, I3, 11, 14 = ON		2.0			V
AGC amp active	I8L	8	V8 = 0V I3, 4, 14 = ON, I11 = OFF				5	μA
	I8H	8	V8 = 5V I4 = OFF, I3, 11, 14 = ON				200	μA

*1 : Test circuit (1), *2 : Test circuit (2), *3 : Test circuit (3), *4 : Test circuit (4)

Package Dimensions

unit : mm (typ)
3178B



Pin Description

Pin Number	Description	Equivalent circuit
1 16	IF Input	
2	AGC/Pre Amp. GND	
3	AGC/Pre Amp. V _{CC}	
4	Driver Amp. V _{CC}	
5	Driver Amp. GND	
10 12 13 15	Driver Amp. GND	
14	Driver Amp. V _{CC}	

Continued on next page.

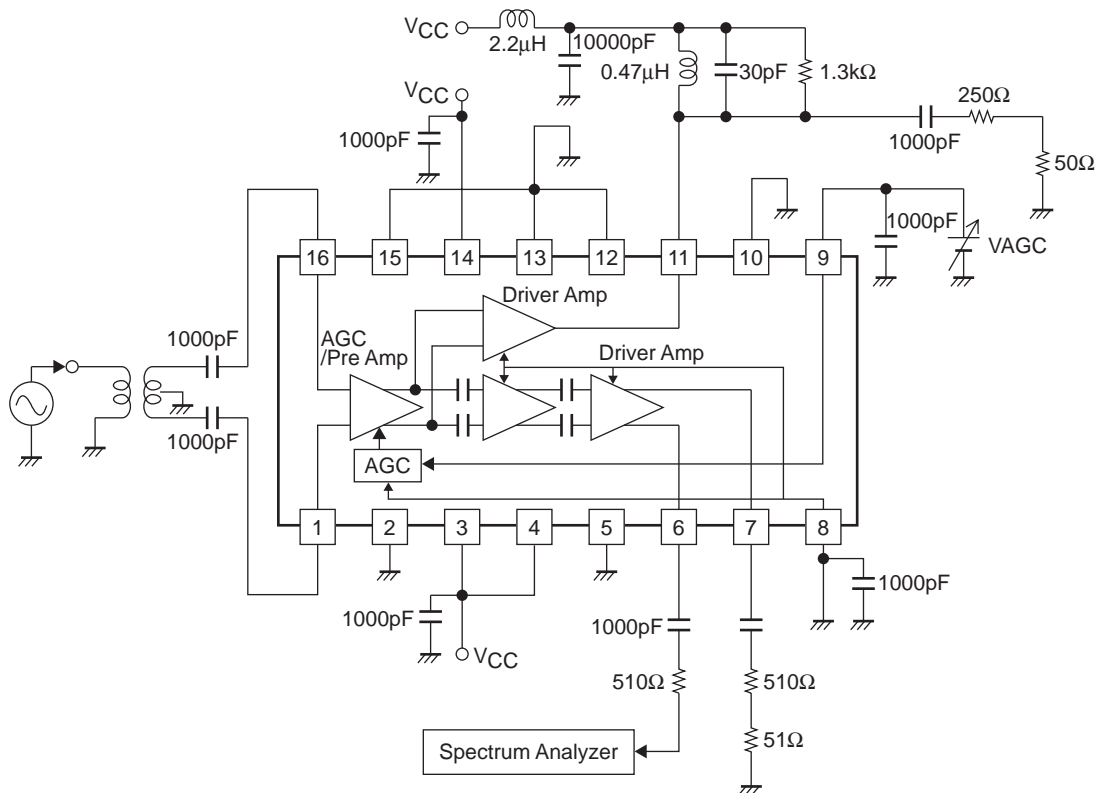
LA8160V

Continued from preceding page

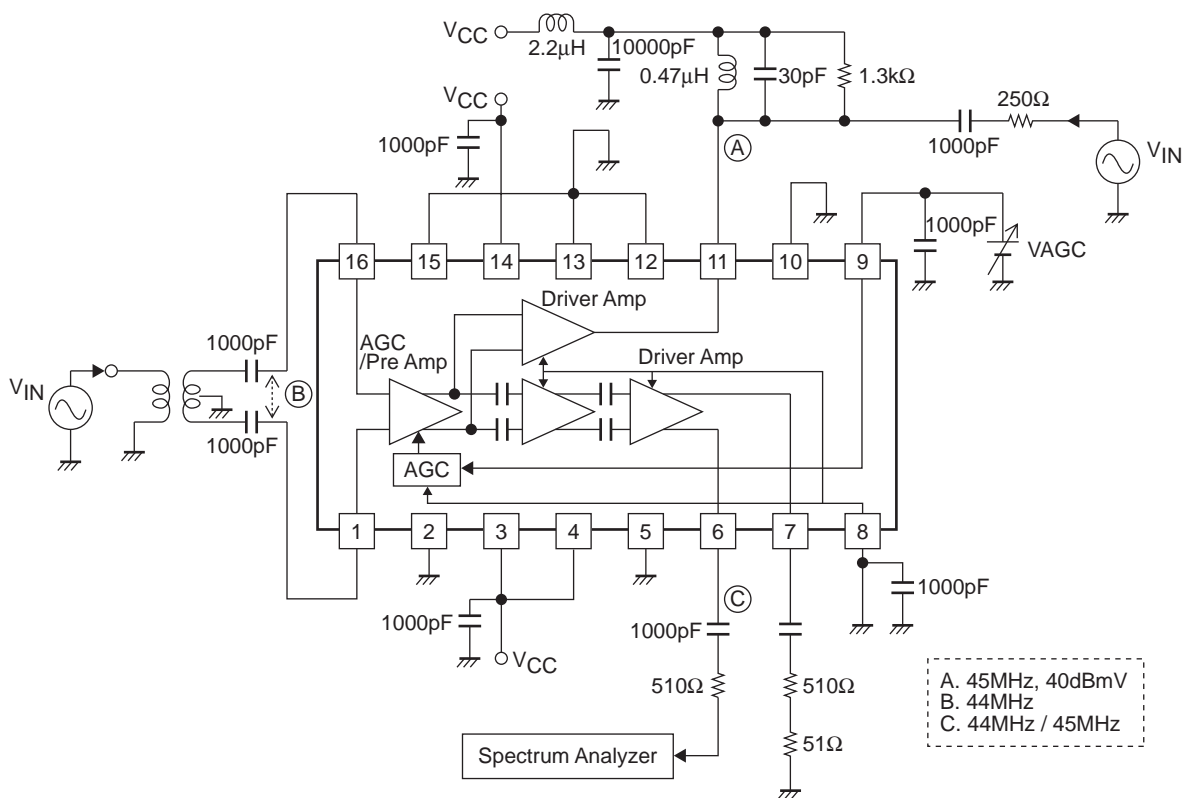
Pin Number	Description	Equivalent circuit
11	Driver Amp. Output	
6 7	Driver Amp. Output	
9	IF AGC Control	
8	Function switch	

LA8160V

Test Circuit (1)

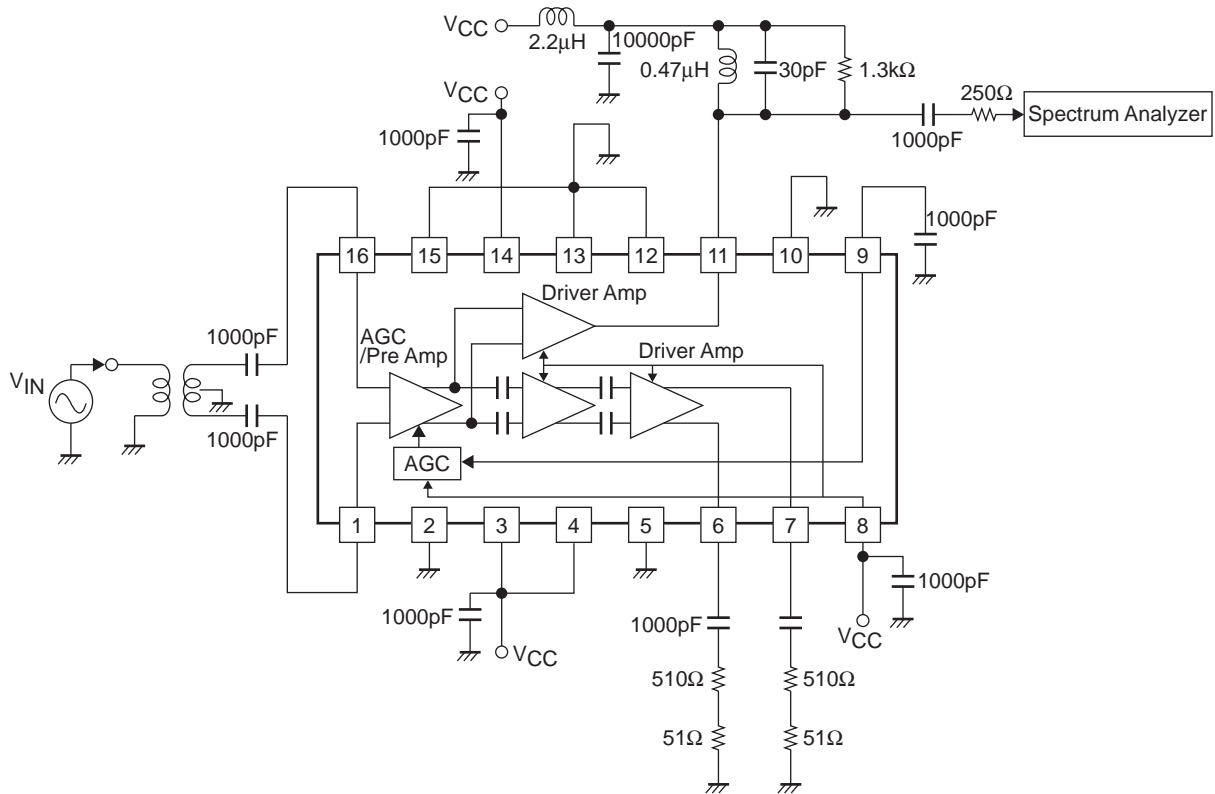


Test Circuit (2)

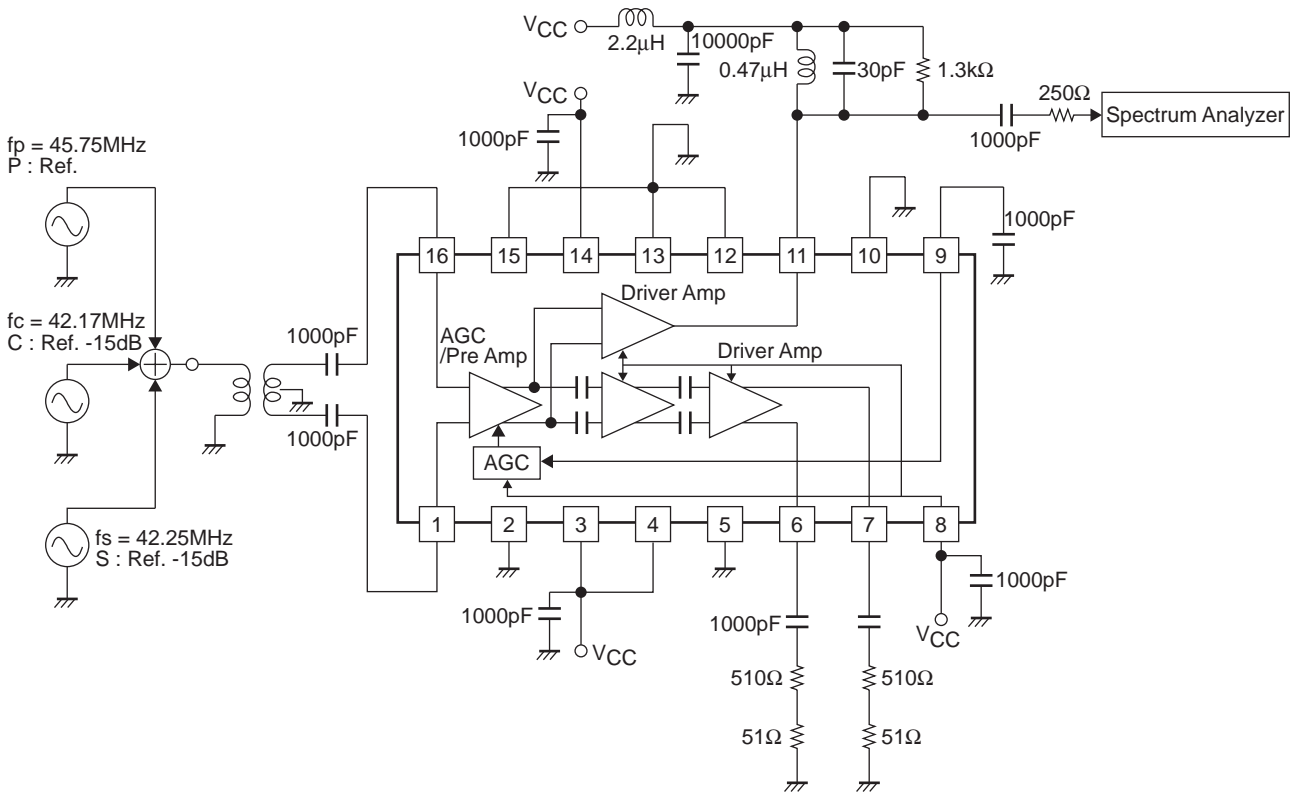


LA8160V

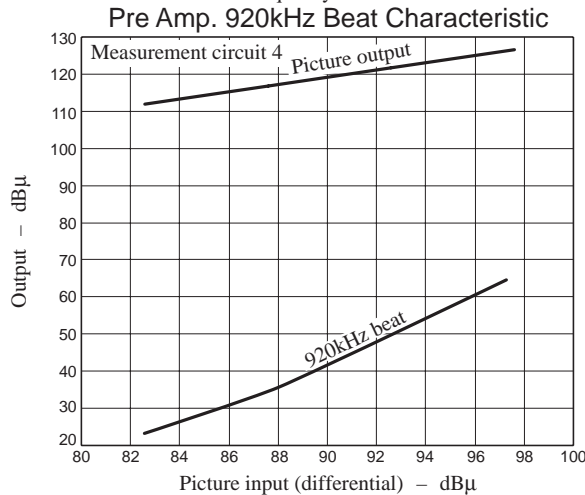
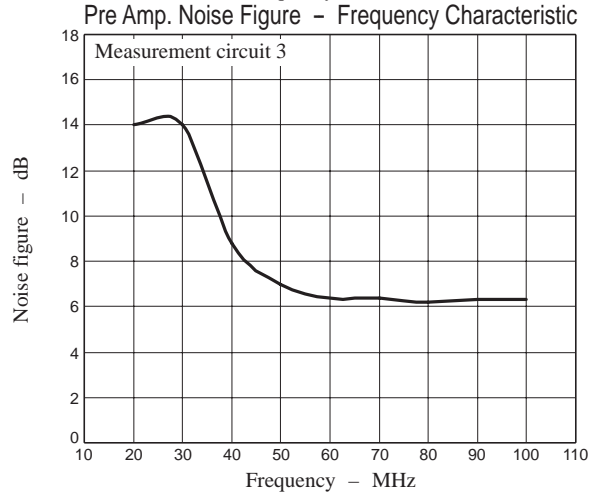
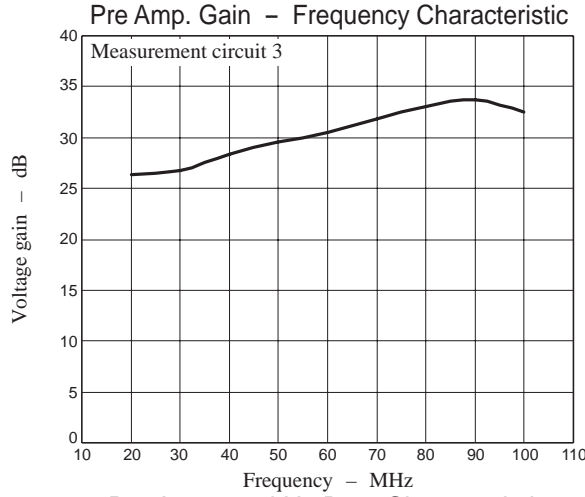
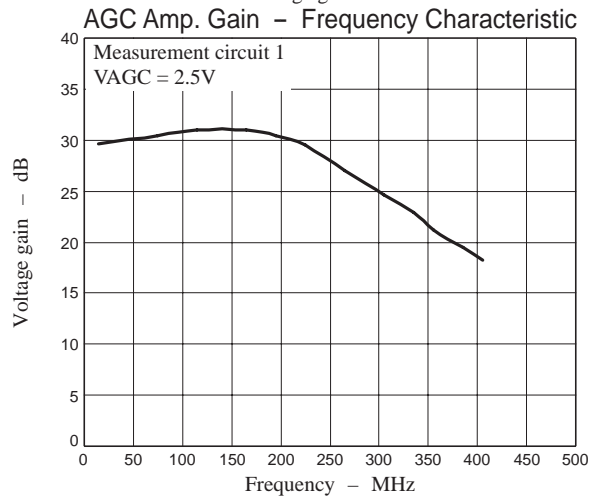
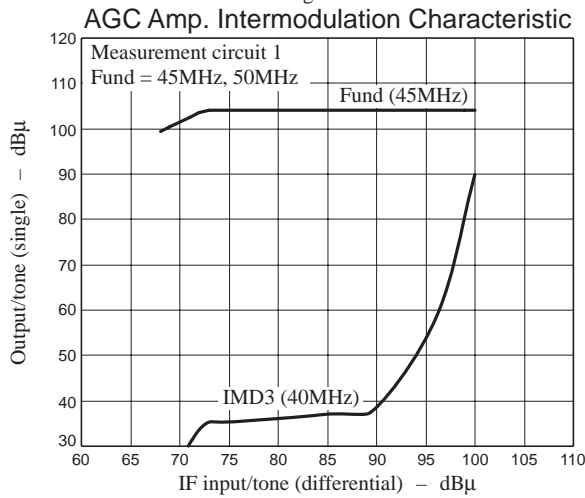
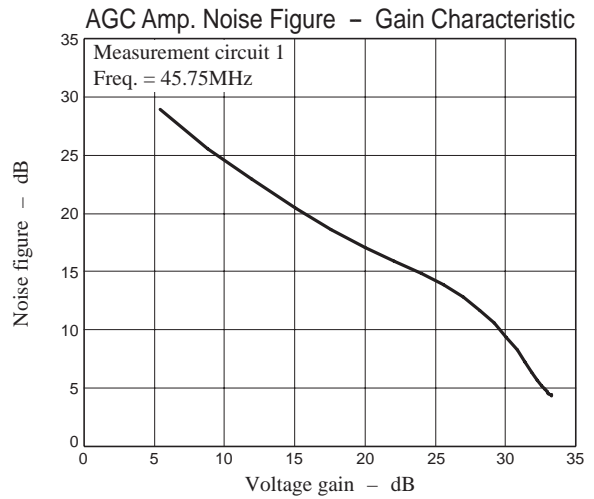
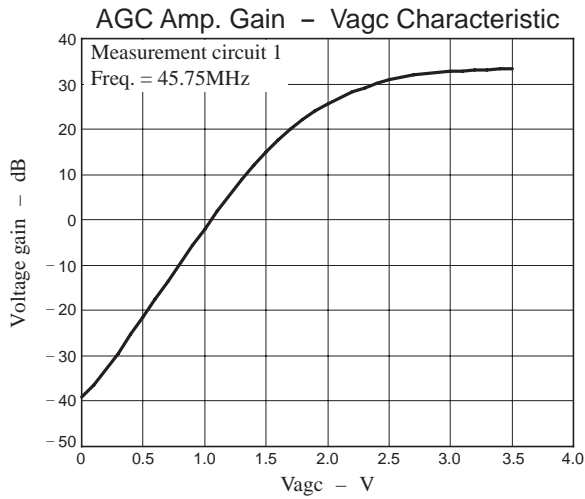
Test Circuit (3)



Test Circuit (4)



LA8160V



- SANYO Semiconductor Co.,Ltd. assumes no responsibility for equipment failures that result from using products at values that exceed, even momentarily, rated values (such as maximum ratings, operating condition ranges, or other parameters) listed in products specifications of any and all SANYO Semiconductor Co.,Ltd. products described or contained herein.
- SANYO Semiconductor Co.,Ltd. strives to supply high-quality high-reliability products, however, any and all semiconductor products fail or malfunction with some probability. It is possible that these probabilistic failures or malfunction could give rise to accidents or events that could endanger human lives, trouble that could give rise to smoke or fire, or accidents that could cause damage to other property. When designing equipment, adopt safety measures so that these kinds of accidents or events cannot occur. Such measures include but are not limited to protective circuits and error prevention circuits for safe design, redundant design, and structural design.
- In the event that any or all SANYO Semiconductor Co.,Ltd. products described or contained herein are controlled under any of applicable local export control laws and regulations, such products may require the export license from the authorities concerned in accordance with the above law.
- No part of this publication may be reproduced or transmitted in any form or by any means, electronic or mechanical, including photocopying and recording, or any information storage or retrieval system, or otherwise, without the prior written consent of SANYO Semiconductor Co.,Ltd.
- Any and all information described or contained herein are subject to change without notice due to product/technology improvement, etc. When designing equipment, refer to the "Delivery Specification" for the SANYO Semiconductor Co.,Ltd. product that you intend to use.
- Information (including circuit diagrams and circuit parameters) herein is for example only; it is not guaranteed for volume production.
- Upon using the technical information or products described herein, neither warranty nor license shall be granted with regard to intellectual property rights or any other rights of SANYO Semiconductor Co.,Ltd. or any third party. SANYO Semiconductor Co.,Ltd. shall not be liable for any claim or suits with regard to a third party's intellectual property rights which has resulted from the use of the technical information and products mentioned above.

This catalog provides information as of September, 2008. Specifications and information herein are subject to change without notice.