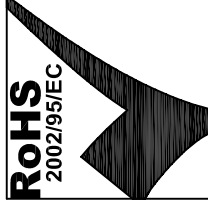
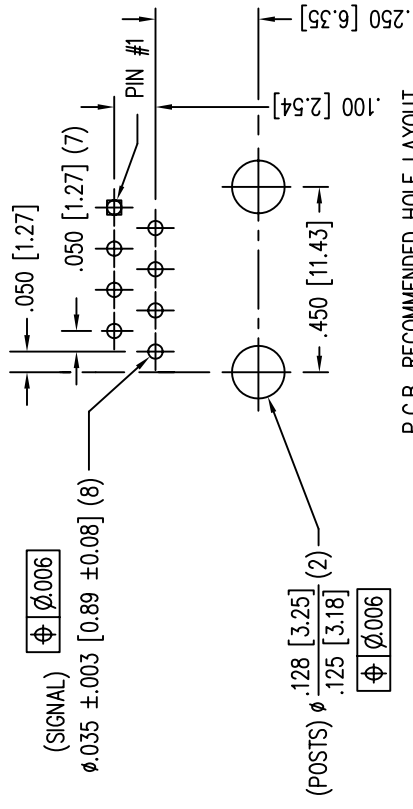


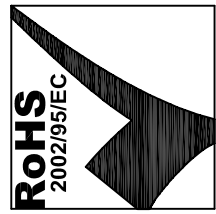
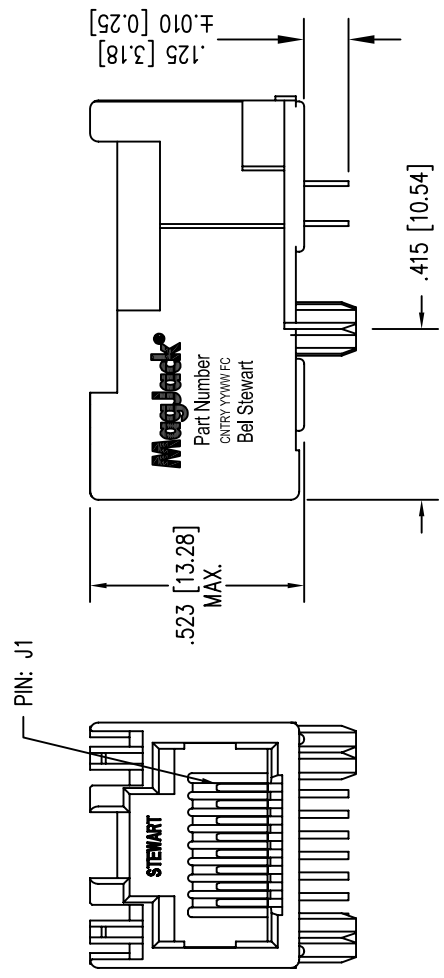
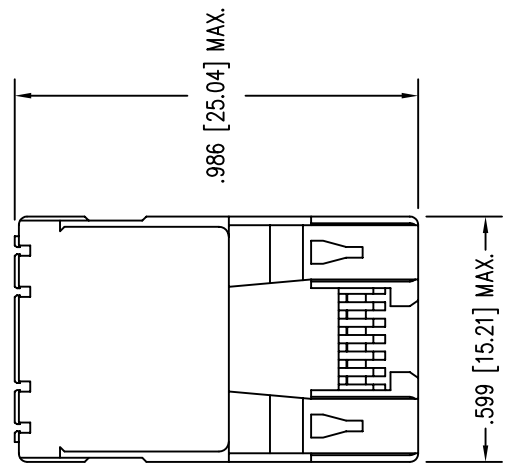
ELECTRICAL SPECIFICATIONS:

- 1.0 TURNS RATIO: { P8-P7-P6 } : { J3-J6 }
 { P5-P4-P3 } : { J1-J2 }
- 2.0 INDUCTANCE: { P8-P6 }
 { P5-P3 }
- 3.0 LEAKAGE INDUCTANCE: P8-P6 (WITH J6 AND J3 SHORT)
 P5-P3 (WITH J2 AND J1 SHORT)
- 4.0 INTERWINDING CAPACITANCE: { P8,P7,P6 } TO { J6,J3 }
 { P5,P4,P3 } TO { J2,J1 }
- 5.0 DC RESISTANCE: { J6-J3 }={ J2-J1 }
- 6.0 RETURN LOSS: { P8-P6 }=100 OHMS AND { J1-J2 }=100 OHM REF.
 1MHZ TO 30MHZ : 18dB MIN.
 30MHZ TO 80MHZ : 12dB MIN.
- NOTE: 100 OHMS CONNECTED TO { P5-P3 } OR { J6-J3 }.
- 7.0 DIELECTRIC WITHSTAND: { J1, J2 } TO { P5, P3 }
 { J3, J6 } TO { P8, P6 }
- 8.0 INSERTION LOSS: RS=RL=100 ohms
 100KHz TO 100MHZ : 1.1 dB TYP
- 9.0 RISE TIME: RS=100 OHMS AND RL = 100 OHMS
 OUTPUT VOLTAGE = 1 V peak : 3.0 nS MAX
 PULSE WIDTH= 112nS : 3.0 nS MAX
- 10.0 CROSS TALK: 1-100 MHZ : 30 dB TYP
- 11.0 COMMON TO COMMON MODE ATTENUATION: 1MHZ TO 100MHZ : 35dB TYP





ALL CENTERLINE DIMENSIONS ARE BASIC.



NOTES:

- CONNECTOR MATERIALS:
HOUSING: THERMOPLASTIC UL94 V-0
CONTACT: COPPER ALLOY
CONTACT PLATING: SELECTIVE GOLD.
50 MICRO-INCHES MIN. IN CONTACT AREA.
- PIN NOT ELECTRICALLY CONNECTED MAYBE OMITTED.
SEE ELECTRICAL DRAWING FOR OMITTED PINS.
- TOLERANCES COMPLY WITH F.C.C. DIMENSION REQUIREMENTS.
- ALL TOLERANCES NOT OTHERWISE SPECIFIED TO BE ±.005 [0.13]
- REFLOW AND WAVE SOLDER COMPATIBLE -260°C FOR 10 SECONDS MAX.

Bel Stewart Connector
11118 Susquehanna Trail, South
Glen Rock, Pa 17327-9199
717.234.7512
<http://www.stewartconnector.com>



THIS DRAWING AND THE SUBJECT MATTER SHOWN THEREON ARE CONFIDENTIAL AND PROPERTY OF BEL STEWART CONNECTOR AND SHALL NOT BE REPRODUCED, COPIED, OR USED IN ANY MANNER WITHOUT PRIOR WRITTEN CONTENT BEL STEWART CONNECTOR. THE SUBJECT MATTER SHOWN THEREON MAY BE PATENTED OR A PATENT MAY BE PENDING FOR BEL STEWART CONNECTOR.

SHEET 2 OF 2
DRAWING NO. SI-50217-F
REV. 01