

NOTE  
1.0 P  
CON  
2.0 A  
TOL

ELECTRICAL SPECIFICATIONS:

- |     |                           |                                 |  |
|-----|---------------------------|---------------------------------|--|
| 1.0 | URNS RATIO:               | (P2-P3-P1) : (J3-J6)            | : 1CT : 1CT ± 3%                         |
|     |                           | (P8-P6-P7) : (J1-J2)            | : 1CT : 1CT ± 3%                         |
| 2.0 | INDUCTANCE:               | (P7-P8)                         | : 350uH MIN. @ 0.1V, 100KHz, 8mA DC Bias |
|     |                           | (P1-P2)                         | : 350uH MIN. @ 0.1V, 100KHz, 8mA DC Bias |
| 3.0 | LEAKAGE INDUCTANCE:       | P1-P3-P2 (WITH J6 AND J3 SHORT) | : 0.3uH MAX. @ 1MHz                      |
|     |                           | P7-P6-P8 (WITH J2 AND J1 SHORT) | : 0.3uH MAX. @ 1MHz                      |
| 4.0 | INTERWINDING CAPACITANCE: | (P1,P3,P2) TO (J6,J3)           | : 30pf TYP @ 1MHz                        |
|     |                           | (P8,P6,P7) TO (J2,J1)           | : 30pf TYP @ 1MHz                        |
| 5.0 | DC RESISTANCE:            | (P2-P1)=(J2-J1)                 | : 1.4 ohms Max.                          |

**Bel Stewart**  
11116 Susquehanna  
Glen Rock, Pa 17327  
717.234.7512

THIS DRAWING AND THE SUBJECT MATTER SHOWN THEREON ARE CONFIDENTIAL AND PROPERTY OF BEL STEWART CONNECTOR AND SHALL NOT BE REPRODUCED, COPIED, OR USED IN ANY MANNER WITHOUT PRIOR WRITTEN CONTENT OF BEL STEWART CONNECTOR. THE SUBJECT MATTER MAY BE PATENTED OR A PATENT MAY BE PENDING.

RECEIVE

6.0 RETURN LOSS: (P7-P8)=100 OHMS AND (J6-J3) =100 OHM REF.  
1MHz TO 30MHz : -18dB MIN.  
30MHz TO 60MHz : -(19-20 LOG (f/30MHz))  
60MHz TO 80MHz : 12dB MIN.

NOTE: 100 OHMS CONNECTED TO (J2-J1) OR (J6-J3).

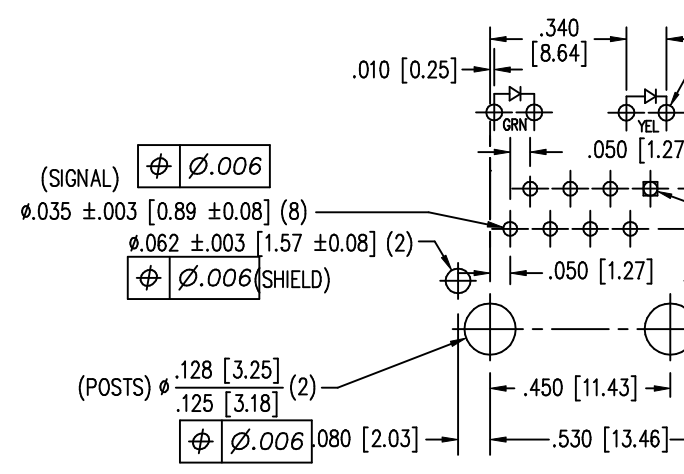
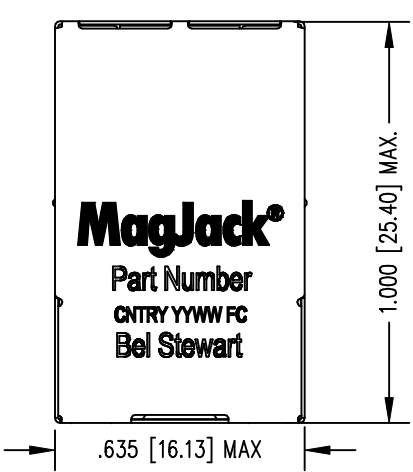
7.0 DIELECTRIC WITHSTAND: (J1, J2) TO (P7, P8) : 1500 VAC  
(J3, J6) TO (P1,P2) : 1500 VAC

8.0 INSERTION LOSS: RS=RL=100 ohms  
1-65MHz : -1 dB MAX

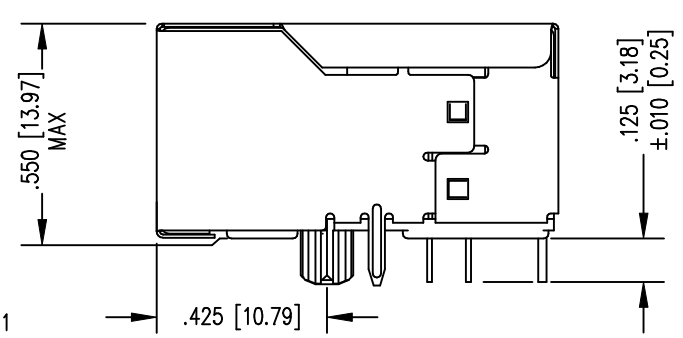
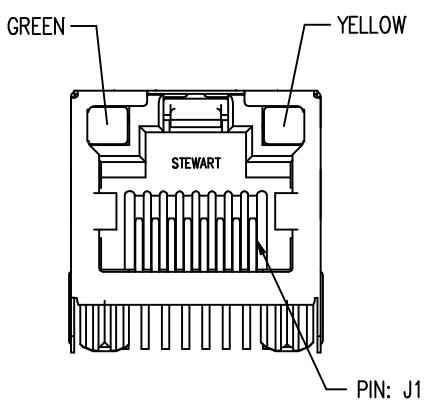
9.0 RISE TIME: RS=100 OHMS AND RL = 100 OHMS  
OUTPUT VOLTAGE = 1 V peak : 3.0 nS MAX  
PULSE WIDTH= 112nS : 3.0 nS MAX

10.0 CROSS TALK: 1-65MHz : -35 dB MIN

11.0 COMMON TO COMMON MODE ATTENUATION: 30MHz TO 100MHz : -30dB MAX  
100MHz TO 130MHz : -20dB MAX



P.C.B. RECOMMENDED HOLE SEEN FROM COMPONENT  
ALL CENTERLINE DIMENSIONS



- NOTES:
1. CONNECTOR MATE... HOUSING: THERM... CONTACT/SHIELD: SHIELD PLATING: CONTACT PLATING
  2. PIN NOT ELECTRIC... SEE ELECTRICAL
  3. TOLERANCES COM
  4. WAVE SOLDER CO

LED SPECIFICATION			
STANDARD LED	WAVELENGTH	* Forward V (MAX)	(TYP)
GREEN	565 nm	2.5 V	2.1 V
YELLOW	590 nm	2.5 V	2.1 V

\*WITH A FORWARD CURRENT OF 20 mA

**Bel Stewart**  
11116 Susquehanna  
Glen Rock, Pa 1732  
717.234.7512

THIS DRAWING AND THE SUBJECT MATTER SHOWN THEREON ARE CONFIDENTIAL AND PROPERTY OF BEL STEWART CONNECTOR AND SHALL NOT BE REPRODUCED, COPIED, OR USED IN ANY MANNER WITHOUT PRIOR WRITTEN CONTENT OF BEL STEWART CONNECTOR. THE SUBJECT MATTER MAY BE PATENTED OR A PATENT MAY BE PENDING.