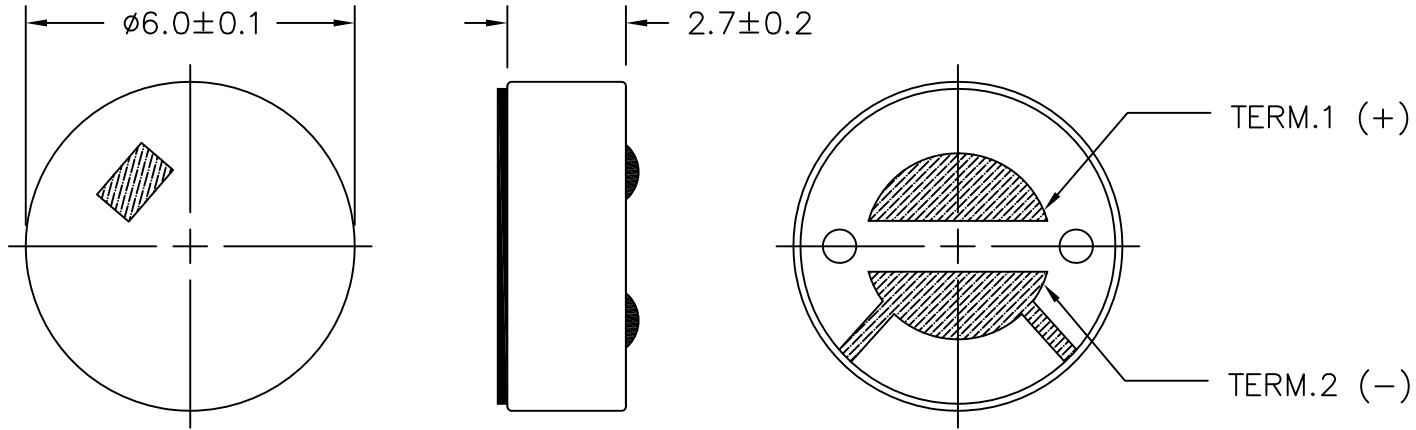


THIS DOCUMENT CONTAINS DATA PROPRIETARY TO PROJECTS UNLIMITED, INC. ANY USE OR REPRODUCTION, IN ANY FORM, WITHOUT PRIOR WRITTEN PERMISSION OF PROJECTS UNLIMITED, INC. IS PROHIBITED.
© 2005, Projects Unlimited Inc.

SPECIFICATIONS

PARAMETERS	VALUES	UNITS
DIRECTIVITY	NOISE CANCELLING	-
SENSITIVITY	-51±4	dB
STANDARD OPERATING VOLTAGE	2	Vdc
MAX OPERATING VOLTAGE	10	Vdc
CURRENT CONSUMPTION (MAX)	0.5	mA
IMPEDANCE	2.2	KOhm
SIGNAL TO NOISE RATIO (MIN.)	55	dB
MAXIMUM SOUND INPUT	110	dB
OPERATING TEMPERATURE	-20 ~ +70	°C
STORAGE TEMPERATURE	-40 ~ +85	°C
TERMINAL	SOLDER PADS	-
INTERNAL CAPACITOR	N/A	pF

REVISIONS			
LTR	DESCRIPTION	DATE	APPROVED
-	RELEASED FROM ENGINEERING	1/30/06	
A	ADDED TERMINAL POLARITY	2/1/07	D.F.
B	REVISED ELECTRICAL PARAMETERS	2/4/10	B.R.



NOTES:

ALL DIMENSIONS ARE IN MILLIMETERS.

SPECIFICATION SUBJECT TO CHANGE OR WITHDRAWAL WITHOUT NOTICE.

THIS PART IS RoHS 2002/95/EC COMPLIANT.

www.DataSheet4U.com

FILE NAME
PNM-2751L-R.DWG

UNLESS OTHERWISE SPECIFIED:
DIMENSIONS ARE IN MILLIMETERS, TOLERANCES ARE ± 0.5 AND ANGLES ARE $\pm 3^\circ$.

APPROVALS	DATE
DRAWN J.A.F.	1/06
CHECKED E.P.	1/06
APPROVED B.R.	1/06

DO NOT SCALE DRAWING



Dayton, Ohio

MICROPHONE

SIZE
A

DRAWING NO.
PNM-2751L-R

SCALE: N.T.S.

SHEET 1 OF 1