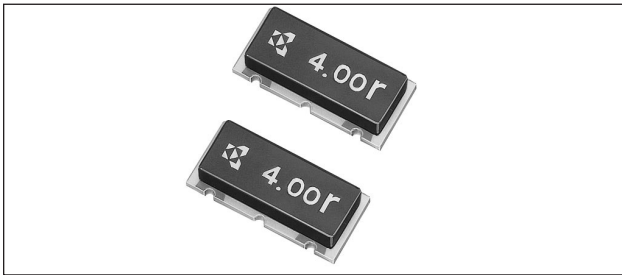
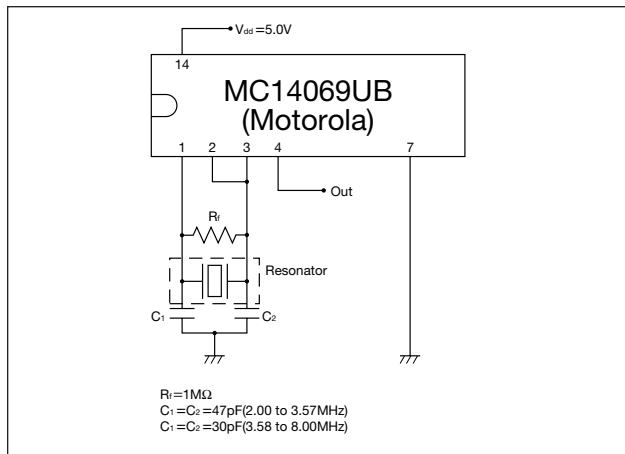


# MHz Band Ceramic Resonators (SMD) PBRC-J, PBRC-G Series

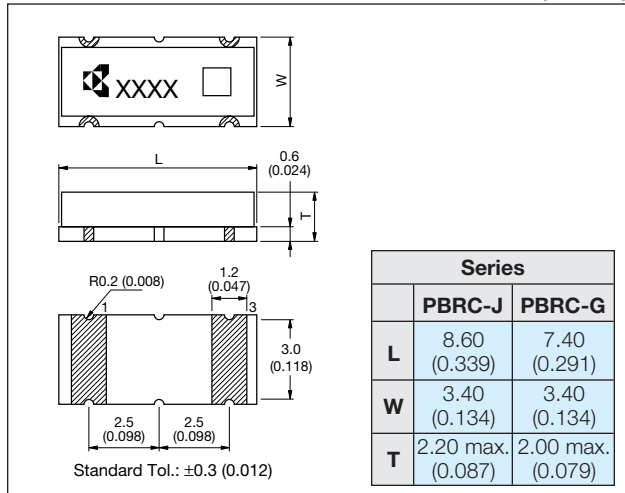


## TEST CIRCUIT



## DIMENSIONS

millimeters (inches)



## FEATURES

- High reliability, high temperature withstanding ceramic case
- Rectangular shape allows easy pick and placement
- Small & low profile PBRC-G Series = 2.0mm height max.
- Reflow solderable
- Excellent solderability (Nickel barrier + Au flush termination)

## APPLICATIONS

- Power Window Car Accessories
- Cam-corder
- Cellular phone/cordless phone
- FDD
- Mouse, CPU-clock

## HOW TO ORDER

PBRC - 4.00 G R □

### Tolerance

- =  $\pm 0.5\%$  (Standard)
- 03 =  $\pm 0.3\%$  (Option)

### Packaging

Tape and reel, 2,000 pcs/reel

### J, G: 2 Terminals Without Capacitor

- J = 2.00 to 3.57MHz
- G = 3.58 to 8.00MHz

### Oscillating Frequency (MHz)

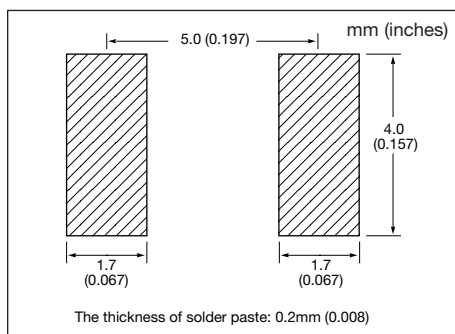
### Series

Note: C1 & C2 are referenced capacitance value to measure each parameter under. Test circuit (IC = MC14069UB).  
C1 & C2 values would be modified - depend upon various IC to be used.

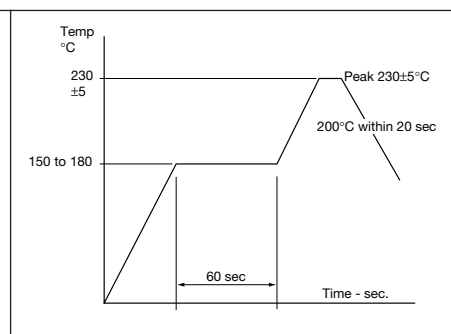
## SPECIFICATIONS

Series	Frequency Range	Frequency Tolerance (25°C)	Temperature Stability (-20 to 80°C)	IC	Standard Frequency (MHz)
PBRC-J	2.00 to 3.57	$\pm 0.5\%$	$\pm 0.5\%$	MC14069UB	2.00, 3.00
PBRC-G	3.58 to 8.00	(op. $\pm 0.3\%$ )	(-40 to 85°C)	MOTOROLA	3.58, 4.00, 4.19, 6.00, 8.00

## Recommended Land Pattern



## Recommended Reflow Profile



## Packaging - Taping

