

KXF SERIES

105°C Low profile, Snap-in Terminal Type

◆FEATURES

- Load Life : 105°C 3000 hours, with 20mm height.
- RoHS compliance.



◆SPECIFICATIONS

Items	Characteristics																					
Category Temperature Range	-40~+105°C	-25~+105°C																				
Rated Voltage Range	10~100V.DC	160~450V.DC																				
Capacitance Tolerance	±20% (20°C, 120Hz)																					
Leakage Current(MAX)	$I=3\sqrt{CV}$ (After 5 minutes application of rated voltage) $I=(\mu A)$ Leakage Current $C=(\mu F)$ Rated Capacitance $V=(V)$ Rated Voltage																					
(tanδ) Dissipation Factor(MAX)	<table border="1"> <thead> <tr> <th>Rated Voltage</th> <th>10</th> <th>16</th> <th>25</th> <th>35</th> <th>50</th> <th>63</th> <th>80</th> <th>100</th> <th>160~450</th> </tr> </thead> <tbody> <tr> <td>tanδ</td> <td>0.55</td> <td>0.50</td> <td>0.45</td> <td>0.40</td> <td>0.35</td> <td>0.30</td> <td>0.25</td> <td>0.20</td> <td>0.20</td> </tr> </tbody> </table> (20°C, 120Hz)		Rated Voltage	10	16	25	35	50	63	80	100	160~450	tanδ	0.55	0.50	0.45	0.40	0.35	0.30	0.25	0.20	0.20
Rated Voltage	10	16	25	35	50	63	80	100	160~450													
tanδ	0.55	0.50	0.45	0.40	0.35	0.30	0.25	0.20	0.20													
Endurance	After applying rated voltage with rated ripple current for 3000 hours at 105°C, the capacitors shall meet the following requirements. <table border="1"> <tbody> <tr> <td>Capacitance Change</td> <td>Within ±20% of the initial value.</td> </tr> <tr> <td>Dissipation Factor</td> <td>Not more than 200% of the specified value.</td> </tr> <tr> <td>Leakage Current</td> <td>Not more than the specified value.</td> </tr> </tbody> </table>		Capacitance Change	Within ±20% of the initial value.	Dissipation Factor	Not more than 200% of the specified value.	Leakage Current	Not more than the specified value.														
Capacitance Change	Within ±20% of the initial value.																					
Dissipation Factor	Not more than 200% of the specified value.																					
Leakage Current	Not more than the specified value.																					
Low Temperature Stability Impedance Ration(MAX)	<table border="1"> <thead> <tr> <th>Rated Voltage</th> <th>10~100</th> <th>160~250</th> <th>315~450</th> </tr> </thead> <tbody> <tr> <td>Z(-25°C)/Z(20°C)</td> <td>3</td> <td>3</td> <td>8</td> </tr> <tr> <td>Z(-40°C)/Z(20°C)</td> <td>12</td> <td>-</td> <td>-</td> </tr> </tbody> </table> (120Hz)		Rated Voltage	10~100	160~250	315~450	Z(-25°C)/Z(20°C)	3	3	8	Z(-40°C)/Z(20°C)	12	-	-								
Rated Voltage	10~100	160~250	315~450																			
Z(-25°C)/Z(20°C)	3	3	8																			
Z(-40°C)/Z(20°C)	12	-	-																			

◆MULTIPLIER FOR RIPPLE CURRENT

Frequency Coefficient

Coefficient	(Hz) Frequency	60 (50)	120	500	1k	10k≤
	10~100WV		0.90	1.00	1.05	1.10
160~250WV		0.80	1.00	1.20	1.30	1.50
315~450WV		0.80	1.00	1.20	1.25	1.40

◆OPTION

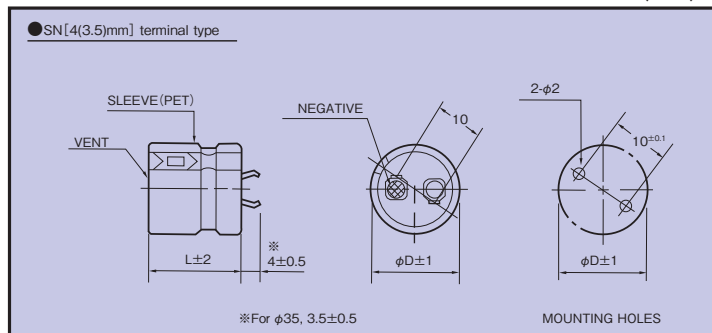
	Code
PET Sleeve without plate	EFC

◆PART NUMBER

$\square\square\square$ / KXF / $\square\square\square\square\square$ / M / $\square\square\square$ / SN / DXL
 Rated Voltage Series Rated Capacitance Capacitance Tolerance Option Terminal Code Case Size

◆DIMENSIONS

(mm)



◆STANDARD SIZE

Cap(μF) \ WV	10	16	25	35	50	63	80	100
330								20X20 0.60
390								20X20 0.71
470							20X20 0.65	22X20 0.78
560							20X20 0.70	25X20 0.95
680						20X20 0.83	22X20 0.84	25X20 1.09
820						22X20 0.99	25X20 1.04	30X20 1.32
1000					20X20 0.87	22X20 1.10	25X20 1.19	
1200					22X20 1.02	25X20 1.20	30X20 1.44	
1500				20X20 0.80	25X20 1.15	30X20 1.47		
1800				22X20 0.94	25X20 1.34	30X20 1.52		
2200			20X20 0.98	22X20 1.04	30X20 1.60			
2700			22X20 1.08	25X20 1.29				
3300		20X20 1.06	22X20 1.29	30X20 1.45				
3900		20X20 1.25	25X20 1.58					
4700	20X20 0.98	22X20 1.38	25X20 1.61					
5600	20X20 1.16	25X20 1.68						
6800	22X20 1.31	25X20 1.80						
8200	25X20 1.59							
10000	25X20 1.77							

Cap(μF) \ WV	160	180	200	220	250	315	350	385
39								20X20 0.35
47							20X20 0.38	20X20 0.38
56						20X20 0.41	20X20 0.40	22X20 0.42
68						22X20 0.48	22X20 0.45	25X20 0.50
82						22X20 0.51	25X20 0.54	25X20 0.52
100						25X20 0.57	25X20 0.57	30X20 0.61
120					20X20 0.65	30X20 0.65	30X20 0.65	30X20 0.64
150				20X20 0.70	22X20 0.74	30X20 0.70	35X20 0.78	35X20 0.80
180		20X20 0.80	20X20 0.80	22X20 0.80	22X20 0.77	35X20 0.85	35X20 0.85	
220	20X20 0.81	22X20 0.90	22X20 0.87	25X20 0.85	25X20 0.95	35X20 0.90		
270	22X20 0.98	22X20 0.95	25X20 0.95	25X20 1.02	30X20 1.00			
330	25X20 1.02	25X20 1.15	25X20 1.15	30X20 1.12	30X20 1.16			
390	25X20 1.25	25X20 1.20	30X20 1.20	30X20 1.25	35X20 1.25			
470	30X20 1.30	30X20 1.36	30X20 1.41	35X20 1.45				
560	30X20 1.46	30X20 1.43	35X20 1.43					
680	35X20 1.51	35X20 1.51						
820	35X20 1.55							

Cap(μF) \ WV	400	420	450
39			20X20 0.36
47	20X20 0.39	20X20 0.38	20X20 0.41
56	20X20 0.40	22X20 0.45	22X20 0.43
68	22X20 0.49	22X20 0.48	25X20 0.50
82	25X20 0.55	25X20 0.53	25X20 0.53
100	25X20 0.60	30X20 0.58	30X20 0.61
120	30X20 0.75	30X20 0.70	30X20 0.70
150	30X20 0.80	35X20 0.80	35X20 0.80
180	35X20 0.85		

↑ Ripple Current (A r.m.s./120Hz, 105°C)
 ↑ Case Size φD×L(mm)