

DO NOT SCALE FROM THIS PRINT

DESIGNED & DIMENSIONED IN MILLIMETERS [INCHES]

GRF1-J-P-XX-X-XX-XXX-X

GENDER
-J: JACK

PCB
-P: PCB MOUNT

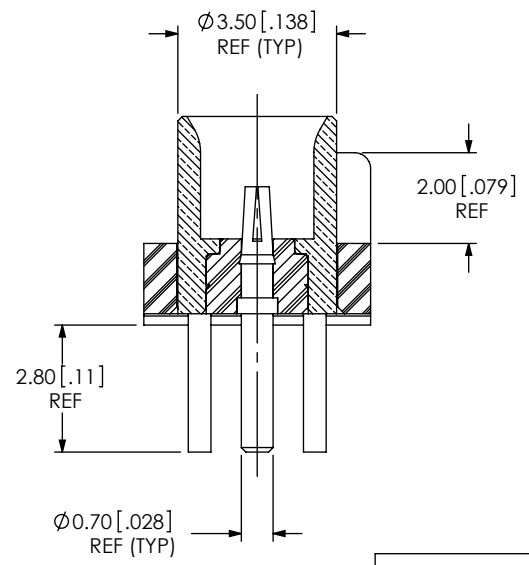
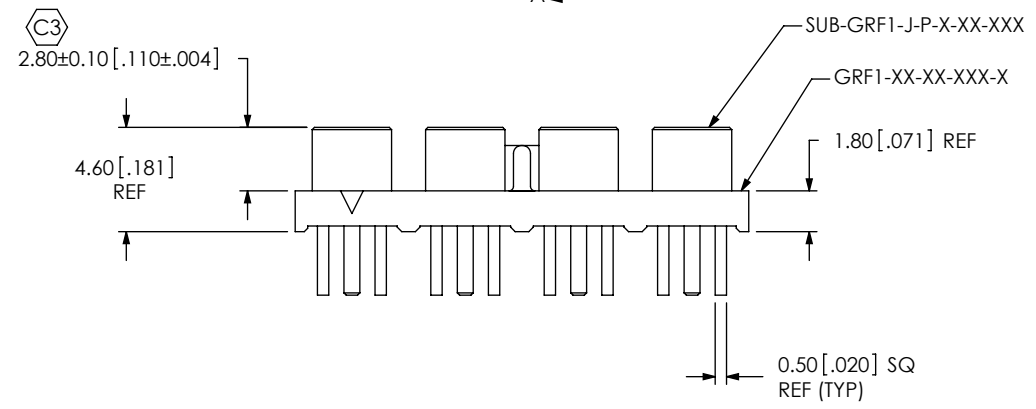
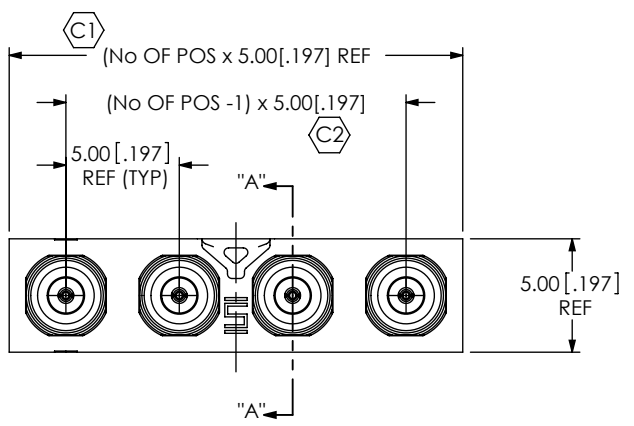
No OF POSITIONS
-02, -04, -06, -08

PLATING
-E: 50u" GOLD ON CENTER CONDUCTOR CONTACT AREA AND SOLDER TAIL.
3u" GOLD ON SHELL AND SHELL SOLDER TAILS

INSERT OPTIONS
-E: #1-64 THRU HOLE THREADED INSERT (SEE FIG. 2, SHT 2)

TERMINATION
-TH1: THRU HOLE

ORIENTATION
-ST: STRAIGHT



SECTION "A"- "A"
SCALE 6:1

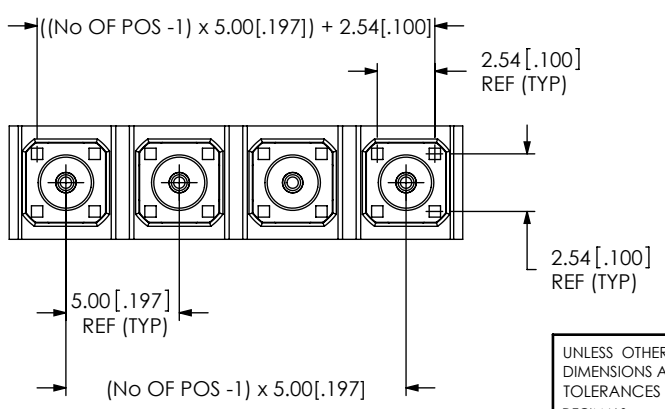
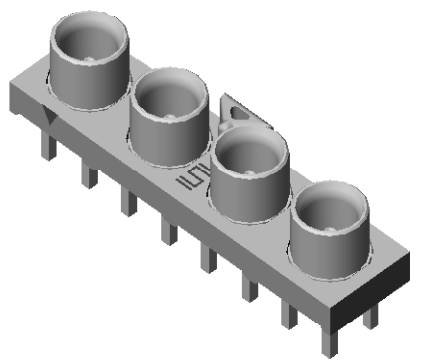
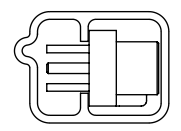


FIG. 1
GRF1-J-P-04-E-ST-TH1 SHOWN



PACKAGING VIEW
USE: PT 1-24-04-36-TP-09

- NOTES:
- ① REPRESENTS A CRITICAL DIMENSION.
 - MINIMUM PUSHOUT FORCE: 2.22N [.5 LB].

UNLESS OTHERWISE SPECIFIED, DIMENSIONS ARE IN MILLIMETERS. TOLERANCES ARE:
DECIMALS ANGLES
X.X: ±0.3 2°
X.XX: ±0.13
X.XXX: ±0.050

PROPRIETARY NOTE
THIS DOCUMENT CONTAINS INFORMATION CONFIDENTIAL AND PROPRIETARY TO SAMTEC, INC. AND SHALL NOT BE REPRODUCED OR TRANSFERRED TO OTHER DOCUMENTS OR DISCLOSED TO OTHERS OR USED FOR ANY PURPOSE OTHER THAN THAT WHICH IT WAS OBTAINED WITHOUT THE EXPRESSED WRITTEN CONSENT OF SAMTEC, INC.



520 PARK EAST BLVD, NEW ALBANY, IN 47150
PHONE: 812-944-6733 FAX: 812-948-5047
e-Mail: info@SAMTEC.com code: 55322

DO NOT SCALE DRAWING SHEET SCALE: 3:1
MATERIAL:
INSULATOR: L.C.P. COLOR: BLACK
SHELL: BRASS
PIN: BeCu
INSULATOR: TEFLON

DESCRIPTION: GANGED RF JACK CONNECTOR

DWG. NO. GRF1-J-P-XX-X-XX-XXX-X

BY: CHAD F 9/3/2004 SHEET 1 OF 2

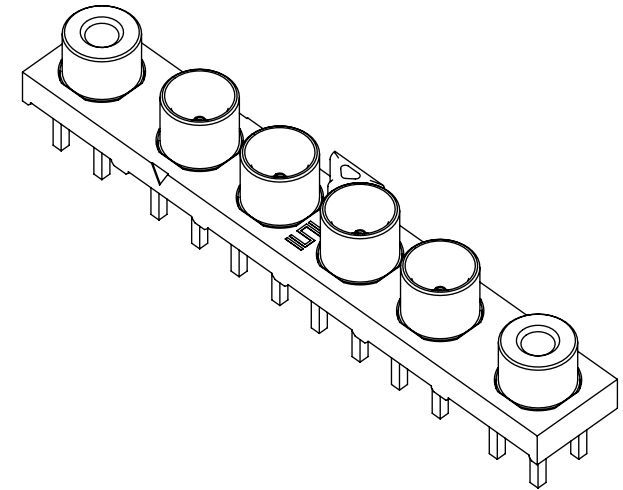
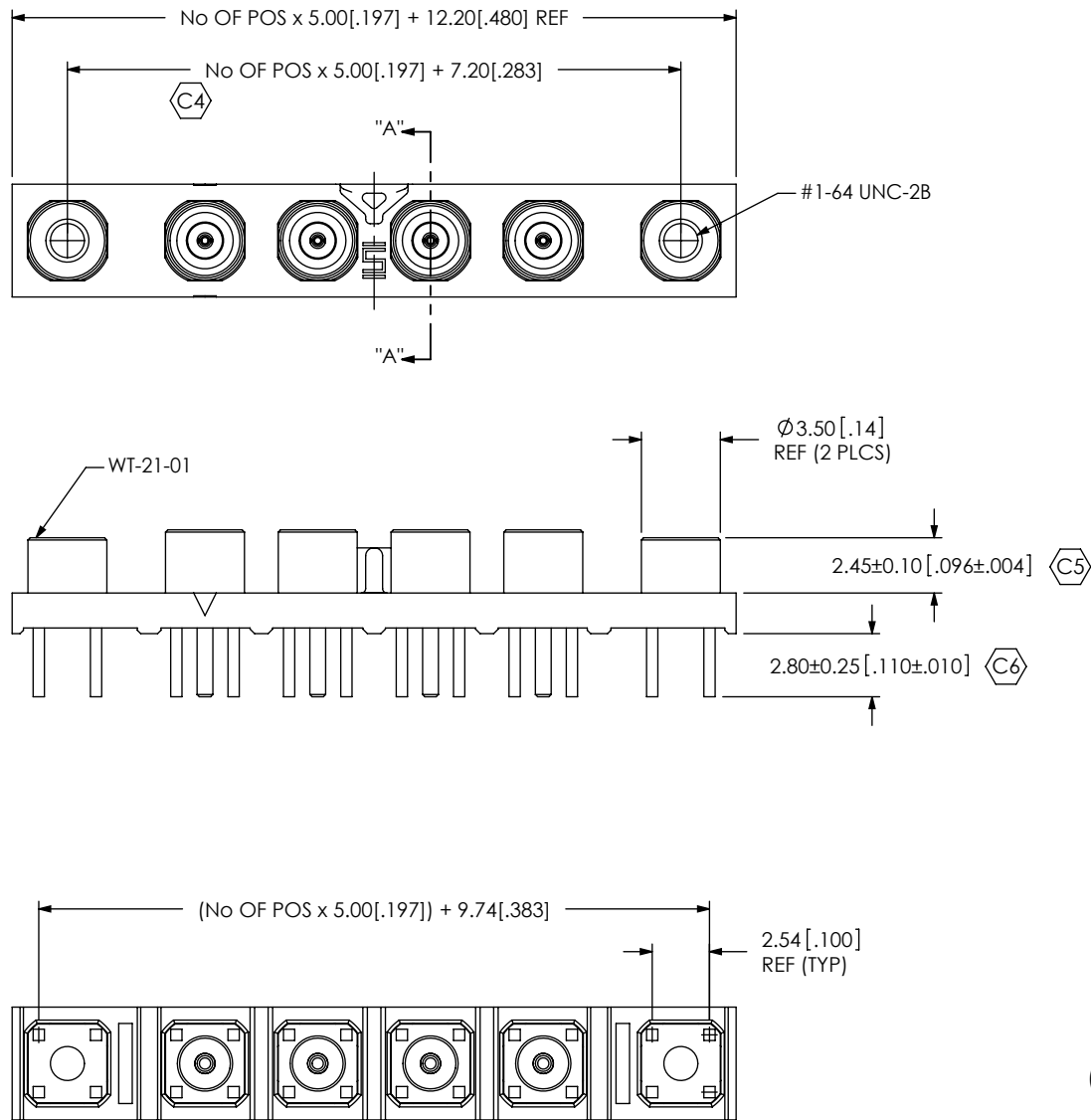


FIG. 2
GRF1-J-P-04-E-ST-TH1-E SHOWN
(SAME AS FIG.1, UNLESS OTHERWISE STATED)

PROPRIETARY NOTE
THIS DOCUMENT CONTAINS INFORMATION CONFIDENTIAL AND PROPRIETARY TO SAMTEC, INC. AND SHALL NOT BE REPRODUCED OR TRANSFERRED TO OTHER DOCUMENTS OR DISCLOSED TO OTHERS OR USED FOR ANY PURPOSE OTHER THAN THAT WHICH IT WAS OBTAINED WITHOUT THE EXPRESSED WRITTEN CONSENT OF SAMTEC, INC.

DO NOT SCALE DRAWING

SHEET SCALE: 3:1

samtec

520 PARK EAST BLVD, NEW ALBANY, IN 47150
PHONE: 812-944-6733 FAX: 812-948-5047
e-Mail: info@SAMTEC.com code: 55322

DESCRIPTION: **GANGED RF JACK CONNECTOR**

DWG. NO. **GRF1-J-P-XX-X-XX-XXX-X**

BY: CHAD F 9/3/2004 SHEET 2 OF 2