

## FEATURES AND SPECIFICATIONS

### Features and Benefits

- Sizes 3 to 8 circuits
- Same as 5279 but with second pin void
- Other plating options available

### Reference Information

Packaging: Bag  
 UL File No.: E29179  
 CSA File No.: LR19980  
 Mates With: 5198-NA housings  
 Designed In: Millimeters

### Electrical

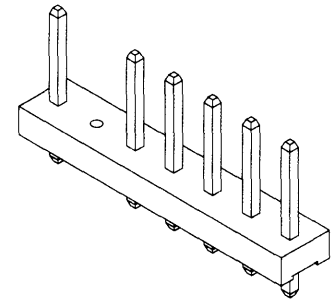
Voltage: 250V  
 Current: 7.0A  
 Contact Resistance: 10mΩ max.  
 Dielectric Withstanding Voltage: 1500V AC/1 min.  
 Insulation Resistance: 1000 MΩ min.

### Physical

Housing: 6/6 nylon, UL 94V-2  
 Contact: Brass, 1.14mm (.045") square  
 Plating: Tin  
 Operating Temperature: -40 to +105°C

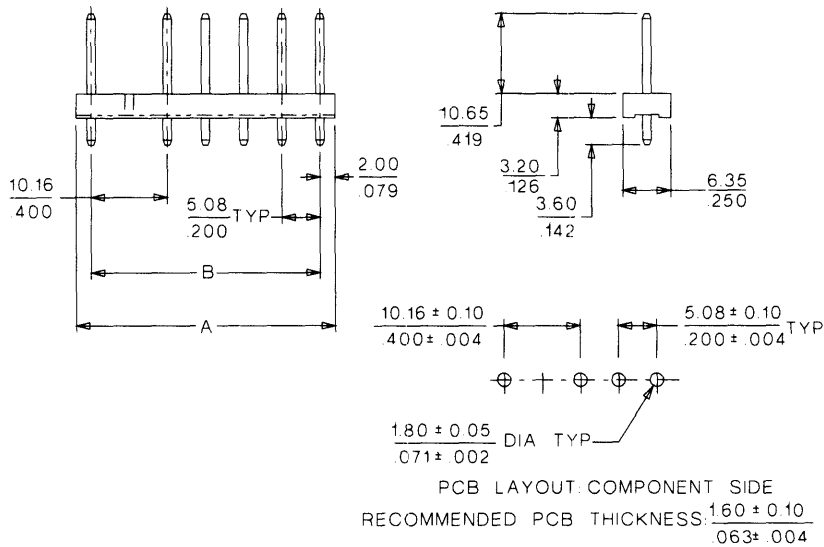
**molex**® 5.08mm (.200") Pitch  
**SPOX™**  
**Header**

**5283-NA**  
**Vertical**  
**With Void**



D  
 3.00 to 7.92mm (.118 to .312") Pitch

## CATALOG DRAWING (FOR REFERENCE ONLY)



## ORDERING INFORMATION AND DIMENSIONS

Circuits	Order No.	Dimension	
		A	B
3	10-63-1033	19.24 (.757)	15.24 (.599)
4	10-63-1043	24.32 (.957)	20.32 (.799)
5	10-63-1053	29.40 (1.157)	25.40 (1.000)
6	10-63-1063	34.48 (1.357)	30.48 (1.199)
7	10-63-1073	39.56 (1.557)	35.56 (1.399)
8	10-63-1083	44.64 (1.757)	40.64 (1.599)