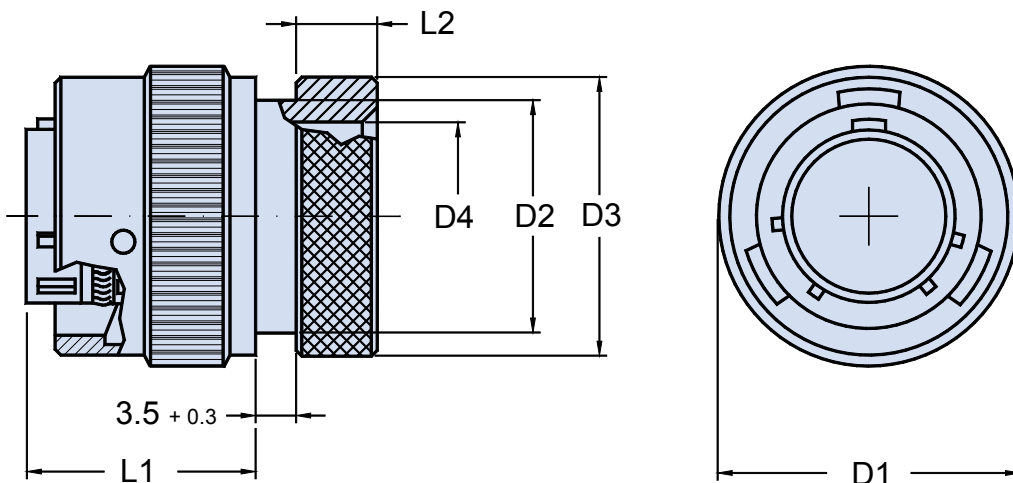
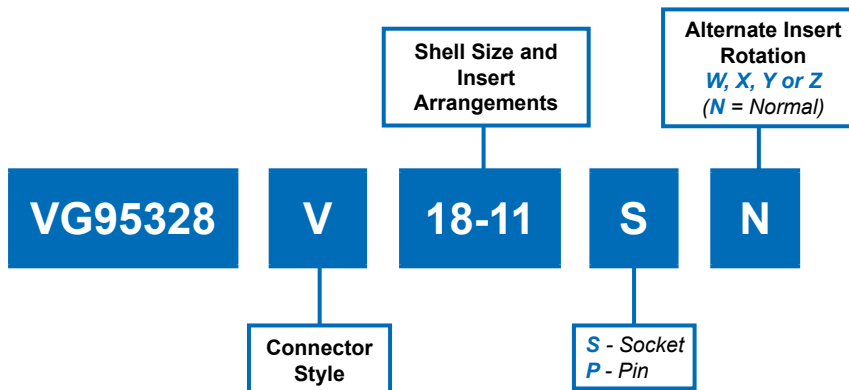


**VG95328 V**  
**Bayonet-Lock**  
**Straight Plug Connector**  
with Ground-Fingers and EMI/Shrinkboot Backshell



**TABLE I: DIMENSIONS**

Shell size	D1 Max.	D2 + 0.15 - 0	D3		D4		L1 Max.	L2 Min.	Maximum Weight in Grams
			Limit	Limit	Limit	Limit			
8	19.8	9.40	13.8	-2.00	7.0	+2.5	23	6.5	14
10	23.5	12.60	16.6	-1.60	10.4	+2.1	23	6.5	16
12	26.5	15.75	19.8	-1.65	13.9	+1.7	23	6.5	23
14	30.0	18.40	23.0	-2.20	16.5	+2.2	23	6.5	30
16	33.1	21.60	26.2	-2.20	19.7	+2.1	23	6.5	43
18	35.3	24.40	29.0	-2.20	22.3	+2.4	23	8.5	46
20	38.8	26.00	32.3	-2.30	25.5	+2.4	28	8.5	63
22	42.0	29.40	36.6	-2.20	28.7	+2.4	28	8.5	78
24	45.1	32.50	39.8	-3.30	31.8	+2.5	28	8.5	84

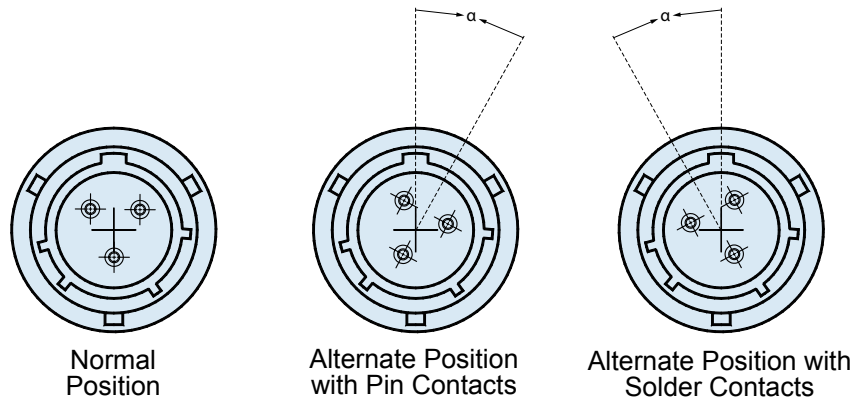
**VG95328 V**  
**Bayonet-Lock**  
**Straight Plug Connector**  
**with Ground-Fingers and EMI/Shrinkboot Backshell**



VG95328  
Connectors

Contact Arrangements			
Arrangement	Cl. Isol. Rating	Dim. contact size	
		20	16
8 - 3A	I	3	
10 - 6	I	6	
12 - 3	II		3
12 - 10	I	10	
14 - 5	II		5
14 - 12	I	8	4
14 - 15	I	14	1
14 - 19	I	19	
16 - 8	II		8
16 - 23	I	22	1
16 - 26	I	26	
18 - 11	II		11
18 - 32	I	32	
20 - 16	II		16
20 - 41	I	41	
22 - 21	II		21
22 - 55	I	55	
24 - 61	I	61	

Alternate Insert Orientations				
Arrangement	Degrees			
	W	X	Y	Z
8 - 3A	60	(120)		
10 - 6	90			
12 - 3			180	
12 - 10	60	155	270	295
14 - 5	40	92	184	273
14 - 12	43	90		
14 - 15	17	110	155	234
14 - 19	30	165	315	
16 - 8	54	152	180	331
16 - 23	158	270		
16 - 26	60		275	338
18 - 11	62	119	241	340
18 - 32	85	138	222	265
20 - 16	238	318	333	347
20 - 41	45	126	225	
22 - 21	16	135	175	349
22 - 55	30	142	226	314
24 - 61	90	180	270	324



MATERIALS	
<b>SHELLS</b>	<b>INSERTS (Temperature Range)</b>
Aluminum Alloy IAW QQ-A-591 Shells	High Insulation Synthetic Rubber (Chloroprene): -55°C/+125°C
Stainless Steel Coupling Pins	<b>CRIMP CONTACTS</b>
Stainless Steel Spring	Copper Alloy with Gold Plating Over Nickel

STANDARD FINISH (For QQ-A-591 Aluminum Shells)	
<b>Requirements</b>	<b>Cadmium with Olive Drab Passivation IAW QQ-P-416</b>
Thermal Shock	-55°C + 125°C
Salt Spray After Thermal Shock	500 hour
Electrical Conductivity	Very Good
Abrasion Resistance	Very Good