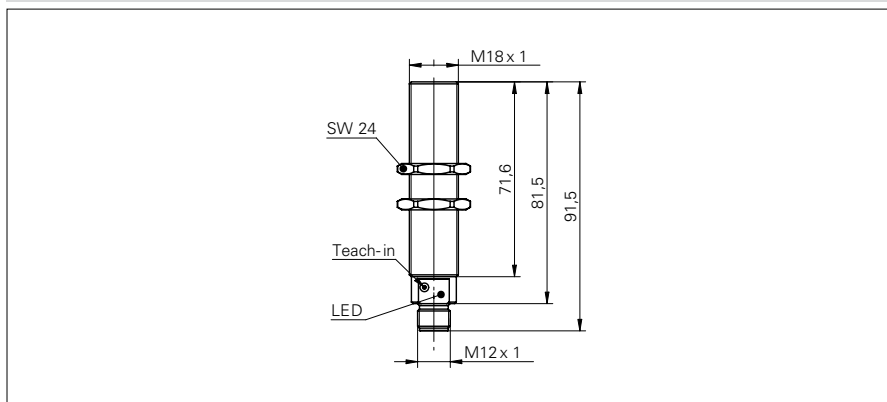


## Ultrasonic proximity sensors

## UNAR 18 (Sde = 400 mm)

## sample drawing



## general data

special type	chemically resistant
scanning range sd	60 ... 400 mm
scanning range far limit Sde	60 ... 400 mm
hysteresis typ.	4 % Sde
repeat accuracy	< 0,5 mm
temperature drift	< 0,18 % Sde/K
response time ton	< 25 ms
release time toff	< 25 ms
alignment aid	target indication flashing
sonic frequency	400 kHz
output indicator	LED green
adjustment	Teach-in

## electrical data

voltage supply range +Vs	12 ... 30 VDC
current consumption max.	35 mA
output current	< 200 mA
voltage drop Vd	< 2 VDC
residual ripple	< 10 % Vs
short circuit protection	yes
reverse polarity protection	yes

## mechanical data

coating active face	Parylene
material O-ring	FFKM
front of sensor durable against pressure	6 bar, 20'000 cycle
width / diameter	18 mm
height / length	91,5 mm
connection types	connector M12
type	cylindrical
housing material	stainless steel 1.4435 (V4A)

## ambient conditions

operating temperature	0 ... +60 °C
protection class	IP 67

## sample picture



**Ultrasonic proximity sensors****UNAR 18 (Sde = 400 mm)**

<b>order reference</b>	<b>output circuit</b>
<b>UNAR 18N6912/S14G</b>	NPN make function (NO)
<b>UNAR 18N7912/S14G</b>	NPN break function (NC)
<b>UNAR 18P6912/S14G</b>	PNP make function (NO)
<b>UNAR 18P7912/S14G</b>	PNP break function (NC)