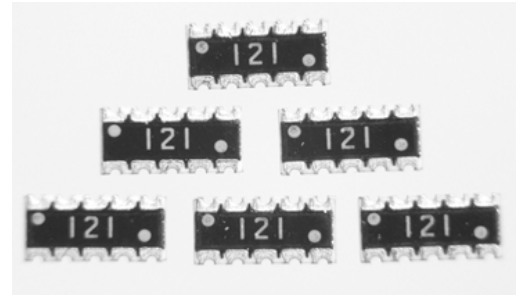
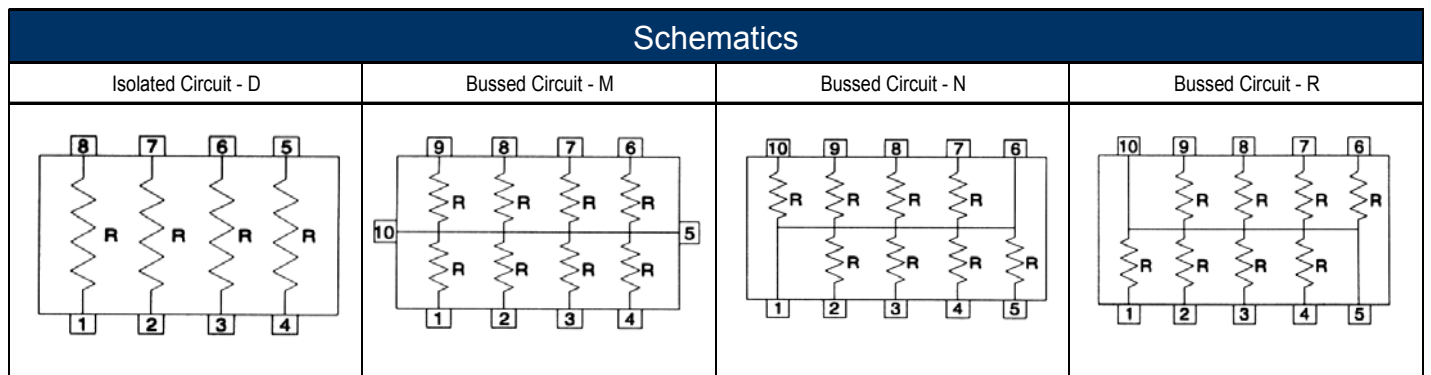


- Features:
- Thick film resistor element
  - Zero ohm available
  - Auto-placement capability
  - Multiple circuit types available
  - Ideal SMD substitute for leaded networks
  - RoHS compliant / lead-free available (RACF)

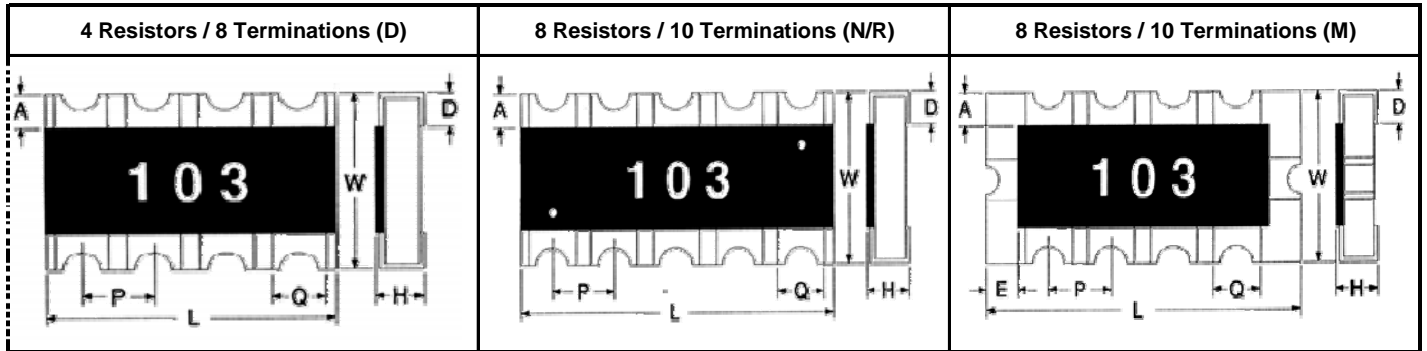


Electrical Specifications							
Type / Code / # of Elements / Circuit Type	Power Rating (per element) @ 70°C	Maximum Working Voltage (1)	Maximum Overload Voltage	Resistance Temperature Coefficient	Ohmic Range (Ω) and Tolerance		
					1%	2%	5%
RAC 16-4D	0.063W	50V	100V	±200 ppm/°C	1 - 1M	1 - 10M	1 - 10M
RAC 32-4D	0.125W	200V	400V	±200 ppm/°C	22 - 1M	-	10 - 1M
RAC 40-8M	0.063W	25V	50V	±200 ppm/°C	-	-	22 - 1M
RAC 64-8N	0.063W	50V	100V	±200 ppm/°C	-	-	22 - 1M
RAC 64-8R	0.063W	50V	100V	±200 ppm/°C	-	-	22 - 1M

(1) Lesser of  $\sqrt{PR}$  or maximum working voltage.  
 Operating Temperature: RAC 16-4D: -55°C to +155°C  
 All other types: -55°C to +125°C



How to Order										
SEI Type	Code	Number of Elements	Circuit Type	Nominal Resistance	Tolerance	Packaging				
<b>RAC</b>	<b>16</b>	<b>4</b>	<b>D</b>	<b>10K</b>	<b>5%</b>	<b>R</b>				
<b>Type</b>	<b>Description</b>	<b>Code</b>	<b>Elements</b>	<b>Circuit Type</b>	<b>Tolerance</b>	<b>Values</b>	<b>SEI Types</b>	<b>Pkg Qty</b>	<b>Description</b>	<b>Code</b>
RAC	Standard	16	4	D = Isolated	1%	E24	16	5,000	Paper	R
RACF	RoHS	32	8	M = Bussed	2%	E24	32, 40, 64	4,000	Emboss	R
		40		N = Bussed	5%	E24				
		64		R = Bussed						



Mechanical Specifications									
Type / Code / # of Elements / Circuit Type	L Body Length	W Body Width	H Body Height	P Element Spacing	Q Termination Width	D Bottom Termination	A Top Termination	E End Termination	Units
RAC 16-4D	0.126 ± 0.008 3.20 ± 0.20	0.063 ± 0.006 1.60 ± 0.15	0.024 ± 0.006 0.60 ± 0.15	0.031 0.80	0.016 ± 0.008 0.40 ± 0.2	0.016 ± 0.008 0.40 ± 0.20	0.012 ± 0.008 0.30 ± 0.20	-	inches mm
RAC 32-4D	0.200 ± 0.008 5.08 ± 0.20	0.118 ± 0.008 3.00 ± 0.20	0.024 ± 0.004 0.60 ± 0.10	0.050 1.27	0.031 ± 0.004 0.80 ± 0.10	0.020 ± 0.008 0.50 ± 0.20	0.022 ± 0.008 0.55 ± 0.20	-	inches mm
RAC 40-8M	0.157 ± 0.008 4.00 ± 0.20	0.083 ± 0.008 2.10 ± 0.20	0.024 ± 0.004 0.60 ± 0.10	0.031 0.80	0.020 ± 0.008 0.50 ± 0.20	0.016 ± 0.008 0.40 ± 0.20	0.010 ± 0.008 0.25 ± 0.20	0.012 ± 0.008 0.30 ± 0.20	inches mm
RAC 64-8N	0.252 ± 0.008 6.40 ± 0.20	0.122 ± 0.008 3.10 ± 0.20	0.024 ± 0.004 0.60 ± 0.10	0.050 1.27	0.028 ± 0.008 0.70 ± 0.20	0.020 ± 0.008 0.50 ± 0.20	0.014 ± 0.006 0.35 ± 0.15	-	inches mm
RAC 64-8R	0.252 ± 0.008 6.40 ± 0.20	0.122 ± 0.008 3.10 ± 0.20	0.024 ± 0.004 0.60 ± 0.10	0.050 1.27	0.028 ± 0.008 0.70 ± 0.20	0.020 ± 0.008 0.50 ± 0.20	0.014 ± 0.006 0.35 ± 0.15	-	inches mm

Performance Characteristics	
Test	Test Results (JIS C 5202)
Load Life in Moisture	±3%
Temperature cycle	±1%
Load Life	±3%
Resistance to Soldering heat	±1%
Terminal Adhesion	±1%
Short Time Overload	±2%

Power Derating Curve:

