

Shielded, SMT Power Inductors



Model PM528S Series is currently available, although not recommended for new designs. Model SRR5028 is preferred.

Special Features

- Magnetic shielded for low radiation
- Ferrite bobbin core
- Low core loss for high frequency power applications
- Low profile, compact size
- Large terminal surface for good PCB bonding
- Operating temperature -40 to +85 °C
- Tape & reel packaged 2000/reel

Typical Applications

- Desktop, notebook computers, servers
- Network hubs, bridges, routers
- xDSL, PBX base stations
- Cell phones, pagers, GPS systems
- PDAs, MP3 players, digital cameras
- Digital TVs, DVDs, cable modems, DSS set-top boxes
- Battery chargers
- High frequency wireless communication devices
- Electronic game devices

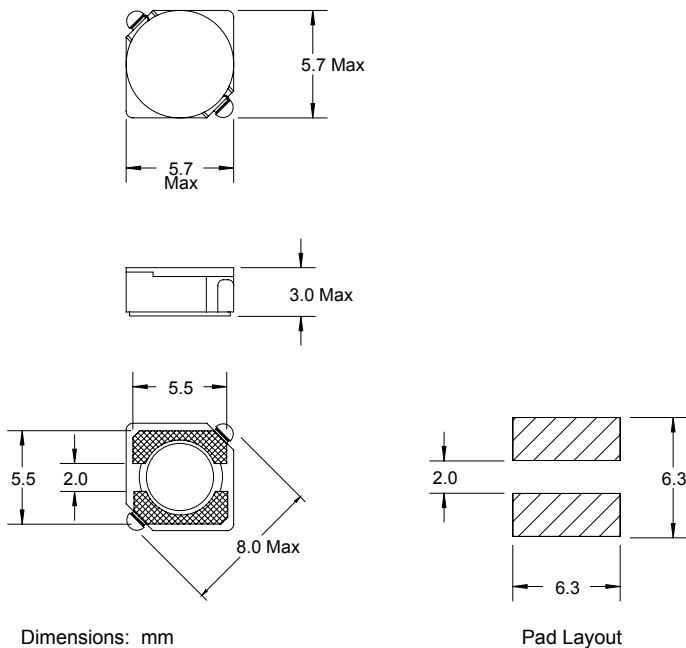
Notes

- * Rated current to cause max. 35 % of inductance drop and 30 °C temperature rise

† RoHS Directive 2002/95/EC Jan 27 2003 including Annex.

PM528S Series				
Part Number	L (μH) ± 30 % @ 10 KHz	DCR (Ω) Max.	I* (A)	Bourns Equivalent
PM528S-2R6-RC	2.6	0.018	2.60	SRR5028
PM528S-3R0-RC	3.0	0.024	2.40	
PM528S-4R2-RC	4.2	0.031	2.20	
PM528S-5R3-RC	5.3	0.038	1.90	
PM528S-6R2-RC	6.2	0.045	1.80	
PM528S-8R2-RC	8.2	0.053	1.60	
PM528S-100-RC	10	0.065	1.30	
PM528S-120-RC	12	0.076	1.20	
PM528S-150-RC	15	0.103	1.10	
PM528S-180-RC	18	0.110	1.00	
PM528S-220-RC	22	0.122	0.90	
PM528S-270-RC	27	0.175	0.85	
PM528S-330-RC	33	0.189	0.75	
PM528S-390-RC	39	0.212	0.70	
PM528S-470-RC	47	0.260	0.62	
PM528S-560-RC	56	0.305	0.58	
PM528S-680-RC	68	0.355	0.52	
PM528S-820-RC	82	0.463	0.46	
PM528S-101-RC	100	0.520	0.42	

“-RC” suffix indicates RoHS compliance.



Dimensions: mm

Pad Layout