

JC20 SERIES PCMCIA CARD CONNECTORS

The JC20-J68 Series connectors are designed in accordance with the latest PCMCIA and JEIDA standards for PC/IC Card Connectors.

Host (Pin Header) connectors are compatible with Type I, II and III card configurations and available for through-hole and surface mount circuit board styles. Host connectors offer the option of push button ejector mechanisms. Special "under-the-board" configurations are also available. Contact pin lengths are staggered for sequential mating and "first mate, last break" circuit assignments.

The JC20-M88 Series connectors are used for industry standard DRAM Memory Cards and Hosts.

Card connectors are available with a variety of substrate center-line off-sets.

■ MATERIALS AND FINISHES

Description	Material/Finish
Insulator	
Card Connector	Glass Filled Nylon
Pin Header (Host)	Glass Filled PPS
Contact	Phosphor Bronze / Selective Gold over Nickel Plating
Ejector Frame	PBT
Ejector Lever	Stainless Steel
Ejector Button	Glass Filled PPS

■ GENERAL SPECIFICATIONS

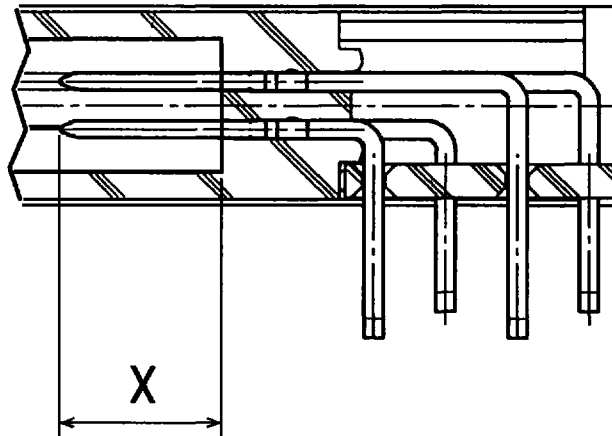
Operating Current	0.5 Amperes per contact
Dielectric Withstanding Voltage	500 VAC(r.m.s.)/ 1 Minute
Insulation Resistance	500 M Ω Minimum
Contact Resistance	40 m Ω Maximum
Operation Temperature	-40°C to +60°C
Contact Life Durability	10,000 Cycles min.

FEATURES:

- COMPLETE PCMCIA and JEIDA COMPATIBILITY.
- TYPE I, II OR III PC CARD COMPATIBLE.
- CARD FRAME KITS AVAILABLE
- AVAILABLE IN S.M.T. or THROUGH-HOLE CIRCUIT BOARD MOUNTING STYLES.
- HIGH TEMPERATURE MATERIALS FOR SMT VERSIONS.
- OPTIONAL EJECTOR MECHANISM FOR HOST CONNECTOR (PIN HEADER).
- UNDER-THE-BOARD MOUNTING AVAILABLE.
- 10,000 CYCLE CONTACT DURABILITY FOR OFFICE TYPE ENVIRONMENTS.
- HOST CONNECTOR WITH STAND-OFFS AVAILABLE. CONTACT JAE FOR DETAILS.

■ JC20 COMMON FEATURES

HOST CONNECTOR, PIN CONTACT LENGTHS



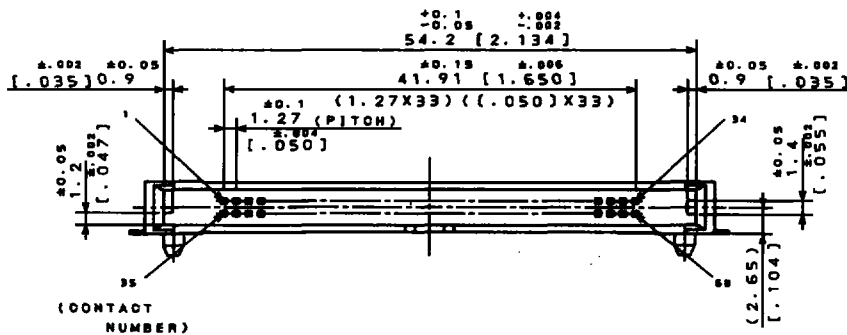
FOR 68 & 136 PIN CONNECTORS

FOR 88 PIN CONNECTORS

CONTACT NUMBER	DIMENSION X
1, 17, 34, 51, 68	5.00 ± 0.10mm
36, 37	3.50 ± 0.10mm
REMAINING PINS	4.25 ± 0.10mm

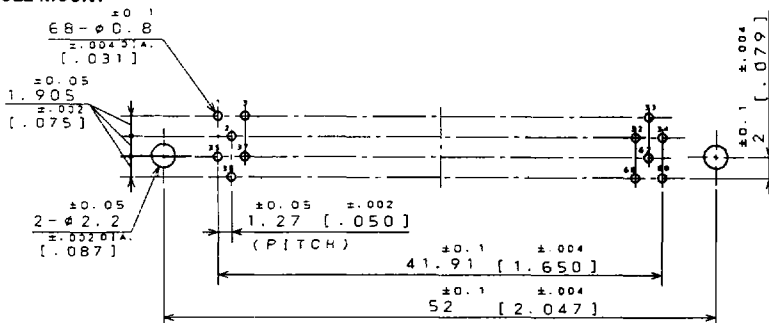
CONTACT NUMBER	DIMENSION X
1, 9, 11, 15, 17, 25, 27, 35,	4.6 ± 0.2mm
37, 44, 45, 56, 63, 67, 73, 88	
REMAINING PINS	3.8 ± 0.2mm

**HOST CONNECTOR
POLARIZATION AND PIN LOCATIONS**

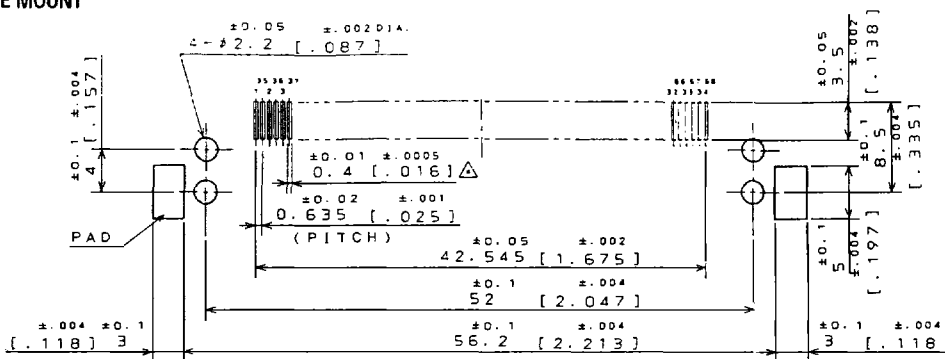


CIRCUIT BOARD LAYOUTS

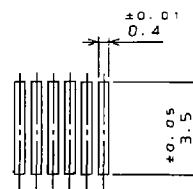
JC20-J68P-V4LT
RIGHT ANGLE, THROUGH-HOLE MOUNT



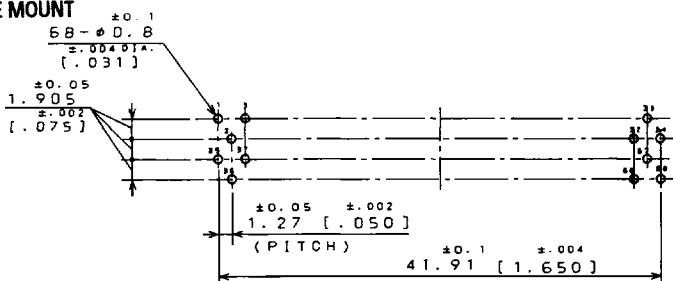
JC20-J68P-V4HF
RIGHT ANGLE, SURFACE MOUNT



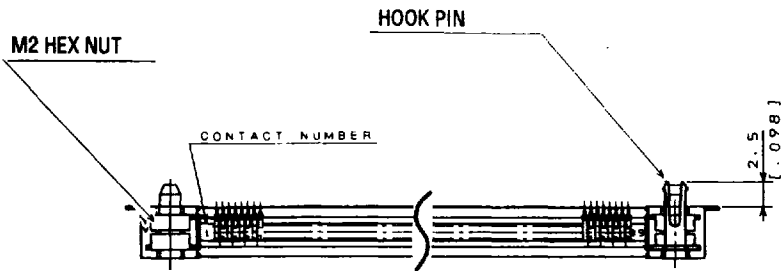
**SUGGESTED SURFACE MOUNT
PAD DIMENSIONS**



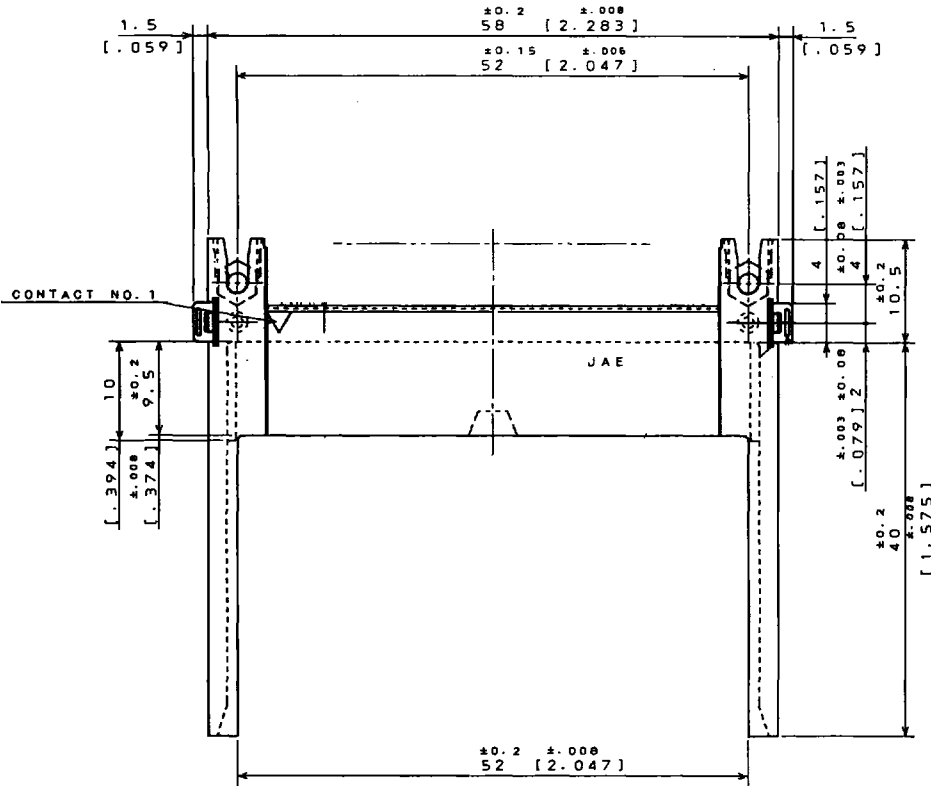
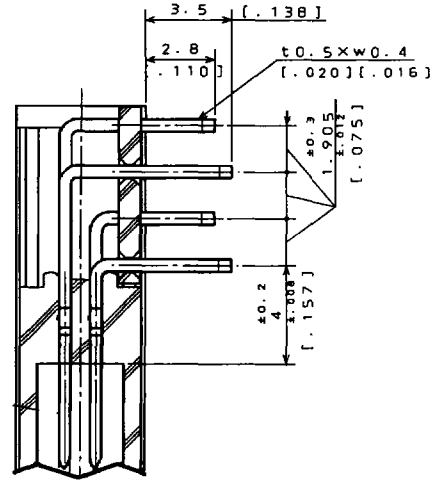
JC20-J68P-V4ST
STRAIGHT, THROUGH-HOLE MOUNT



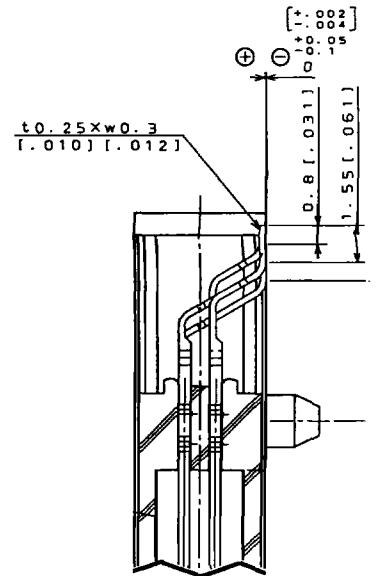
■ **HOST CONNECTOR, RIGHT ANGLE MOUNT**
JC20-J68P-V4



THROUGH-HOLE CONTACT TAILS



SURFACE MOUNT CONTACT TAILS



PART NUMBER:

JC20-J68P-V4HR-MH1

PCB MOUNTING
LT: THRU-HOLE TOP PCB
LR: THRU-HOLE BOTTOM PCB
HF: SMT TOP PCB
HR: SMT BOTTOM PCB

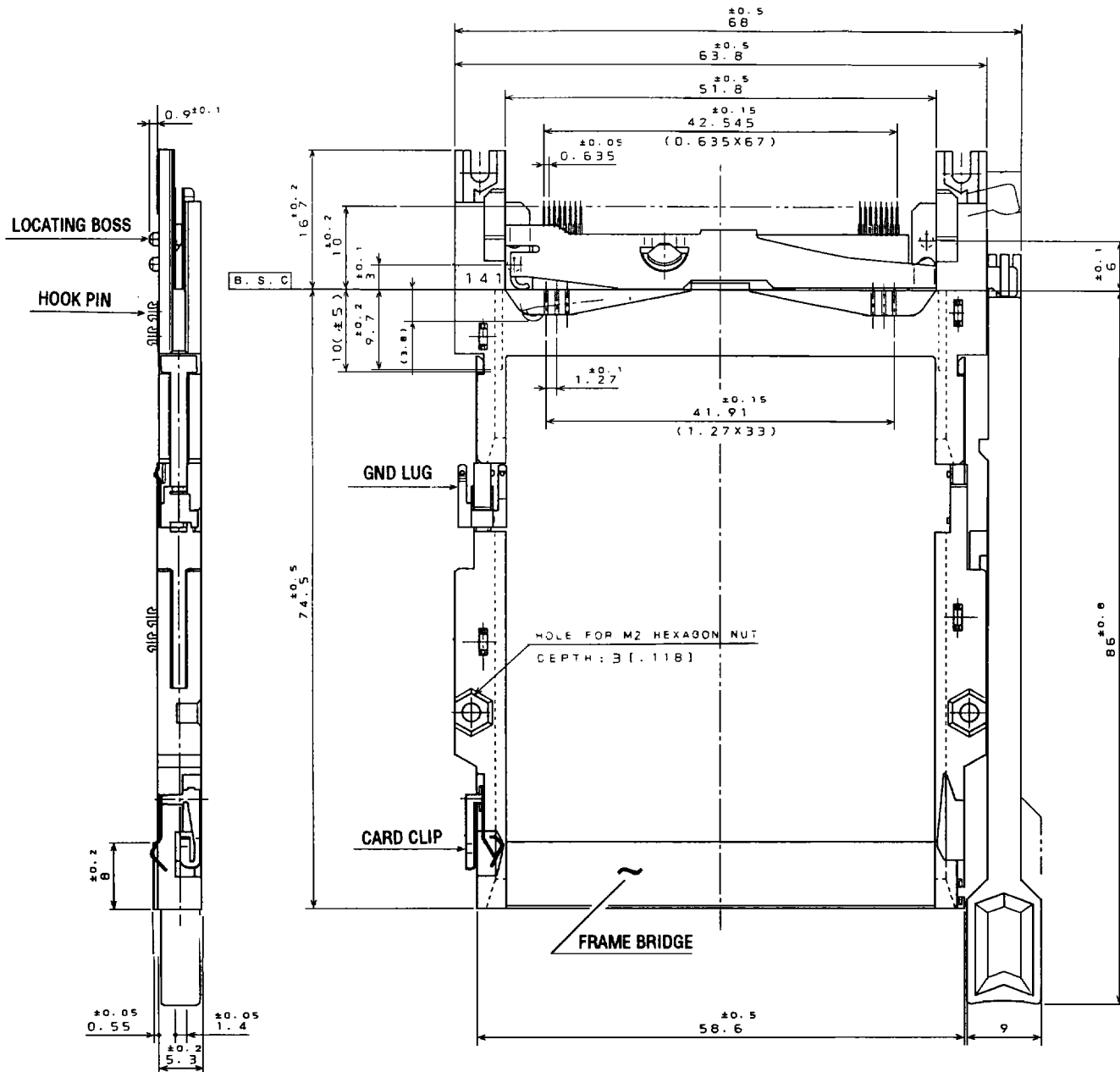
LENGTH OF GUIDE RAILS
S: 26mm
M: 40mm

CONTACT FINISH
1: 0.1 μm MIN. GOLD OVER NICKEL
2: 0.3 μm MIN. GOLD OVER NICKEL
3: 0.76 μm MIN. GOLD OVER NICKEL

H: HOOK PIN MOUNT
N: HEXAGONAL NUT M2

HOST CONNECTOR, RIGHT ANGLE MOUNT W/ EJECTOR BUTTON, SMT

JC20EB-J68PR-V4



PART NUMBER:

JC20EB-J68PR-V4HF1-LM1

POSITION OF EJECTOR BUTTON R: RIGHT L: LEFT

PCB MOUNTING
HR: SMT BOTTOM PCB
HF: SMT TOP PCB

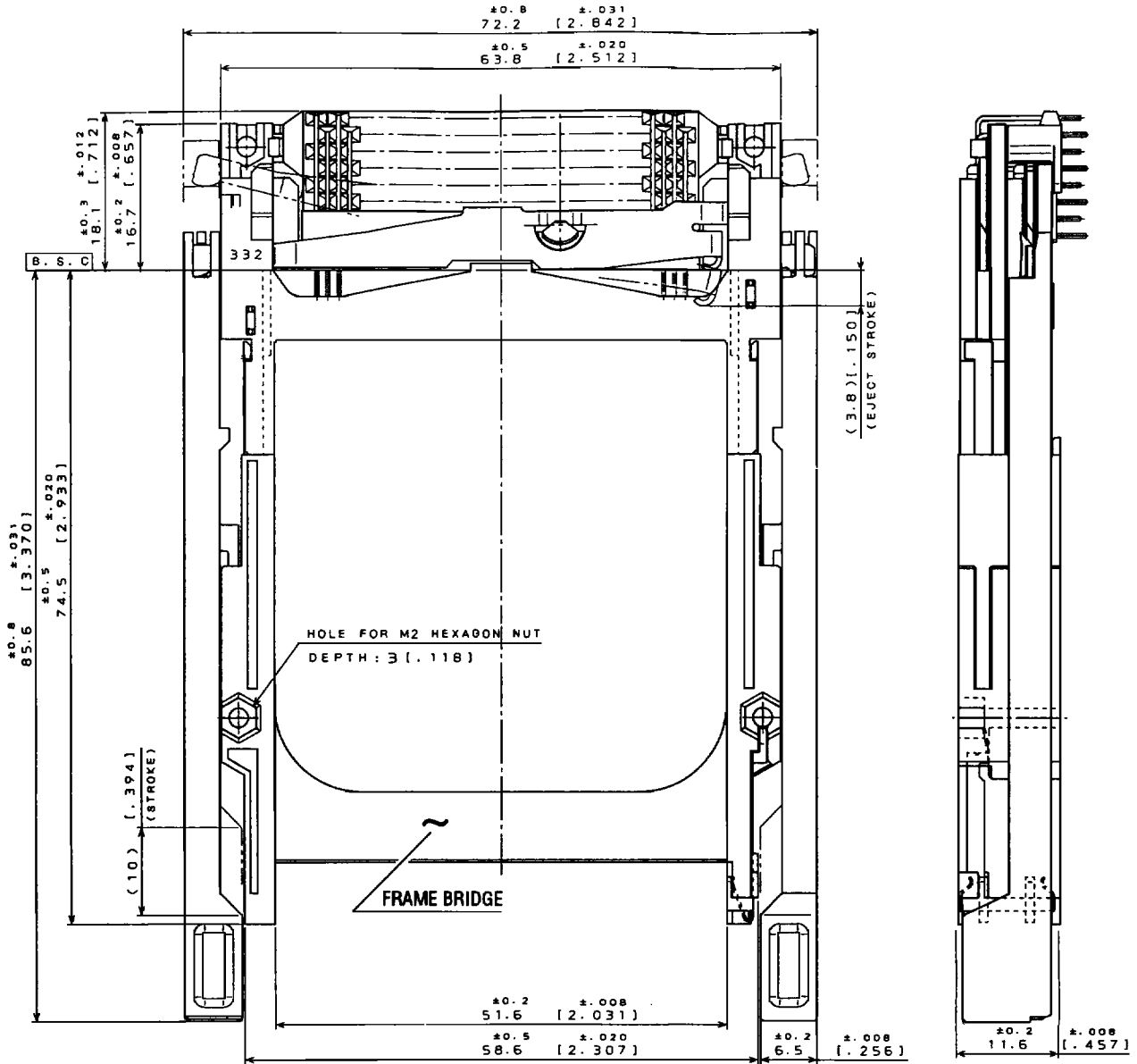
LOCATING BOSS
1: WITH BOSS
NO MARK: W/O BOSS

CONTACT FINISH
1: 0.1 μm MIN. GOLD OVER NICKEL
2: 0.3 μm MIN. GOLD OVER NICKEL
3: 0.76 μm MIN. GOLD OVER NICKEL

J: CARD CLIP AND FRAME GROUND LUG
M: CARD CLIP, FRAME GROUND LUG PLUS HOOK PIN

POSITION OF FRAME BRIDGE
L: BOTTOM
U: TOP

■ HOST CONNECTOR, DOUBLE STACK W/ EJECTOR BUTTONS, THROUGH HOLE
JC20ED-J136P-V4



PART NUMBER:

JC20ED-J126P-AS-E1

POSITION OF EJECTOR BUTTON
A: RIGHT AND LEFT
B: BOTH LEFT
C: BOTH RIGHT

MOUNTING POSITION
S: TOP PCB
R: BOTTOM PCB

CONTACT FINISH
1: 0.1 μ m MIN. GOLD OVER NICKEL
2: 0.3 μ m MIN. GOLD OVER NICKEL
3: 0.76 μ m MIN. GOLD OVER NICKEL

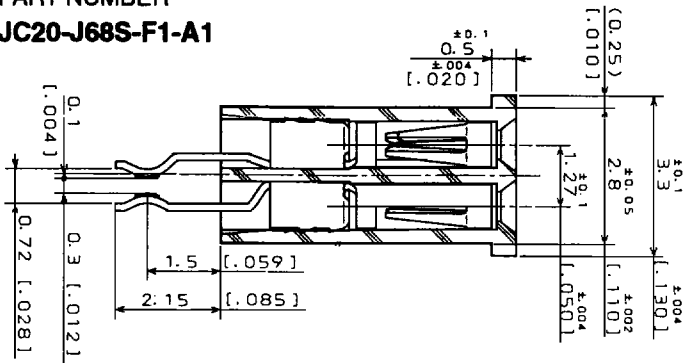
GROUND LUG
E: WITH LUG
NONE: W/O LUG

■ **CARD CONNECTOR**

JC20-J68S

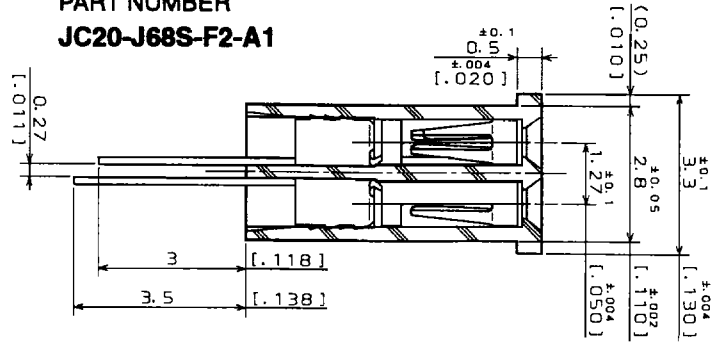
PART NUMBER

JC20-J68S-F1-A1



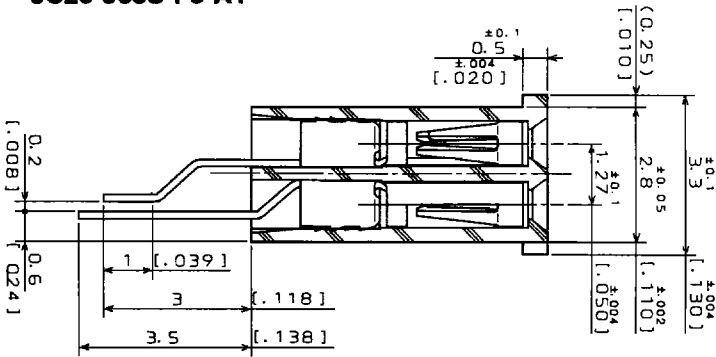
RECOMMENDED PWB THICKNESS: 0.5mm

PART NUMBER
JC20-J68S-F2-A1



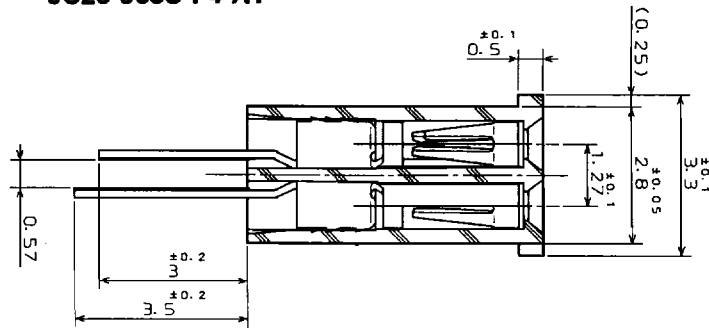
RECOMMENDED PWB THICKNESS: 0.2mm

PART NUMBER
JC20-J68S-F3-A1



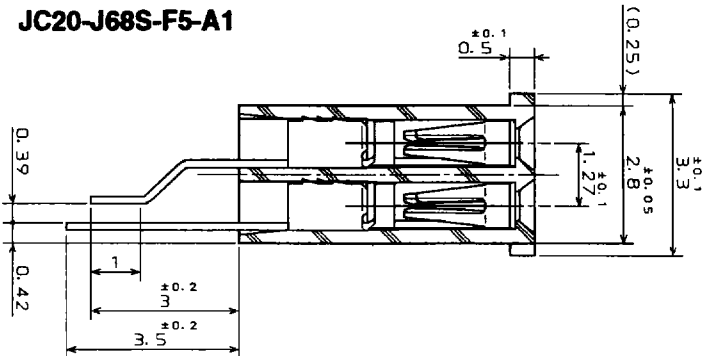
RECOMMENDED PWB THICKNESS: 0.2mm

PART NUMBER
JC20-J68S-F4-A1



RECOMMENDED PWB THICKNESS: 0.35mm - 0.45mm

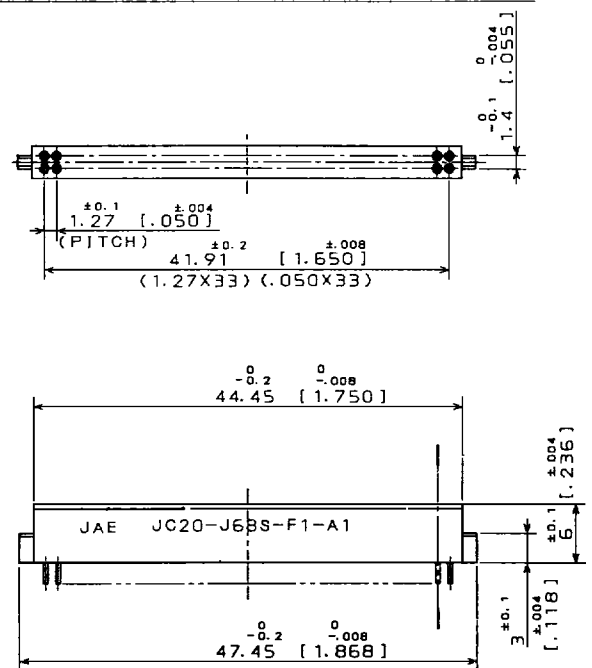
PART NUMBER
JC20-J68S-F5-A1



RECOMMENDED PWB THICKNESS: 0.35mm

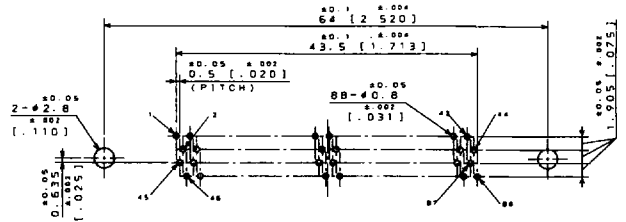
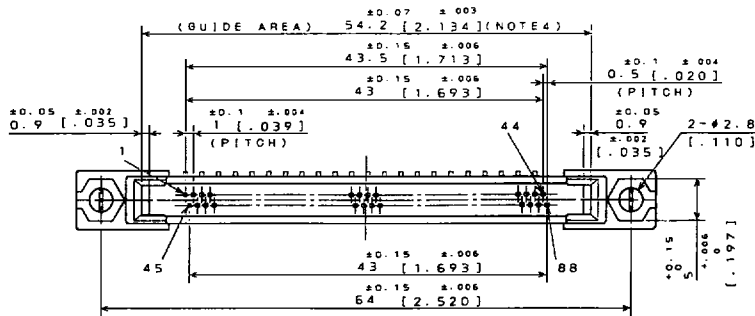
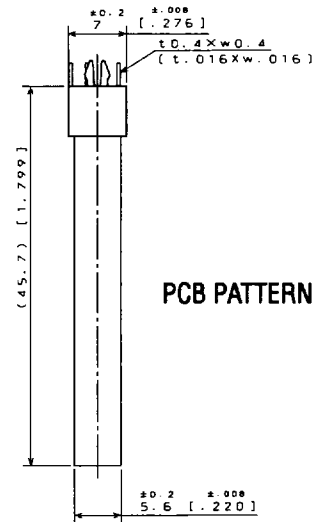
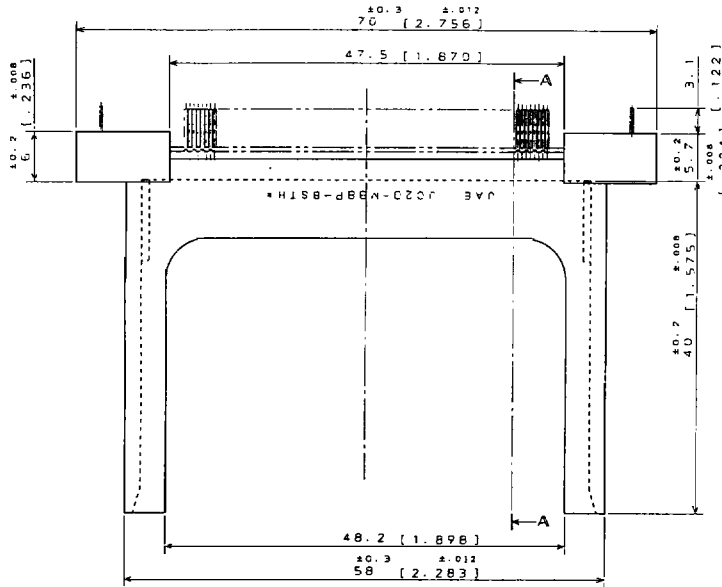
NOTE: PART NUMBER JC20-J68S-F6-A1;

CONTACT JAE FOR PHYSICAL SPECIFICATION.



88 PIN DRAM HOST CONNECTOR
JC20-M88P-BST1-A1

NOTE: 1. RIGHT ANGLE MOUNT AVAILABLE,
CONTACT JAE ELECTRONICS



88 PIN DRAM CARD CONNECTOR
JC20-M88S-F1-A1

RECOMMENDED PWB THICKNESS: 0.4mm

