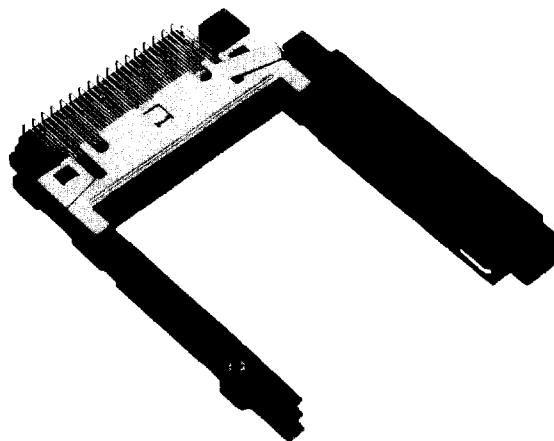
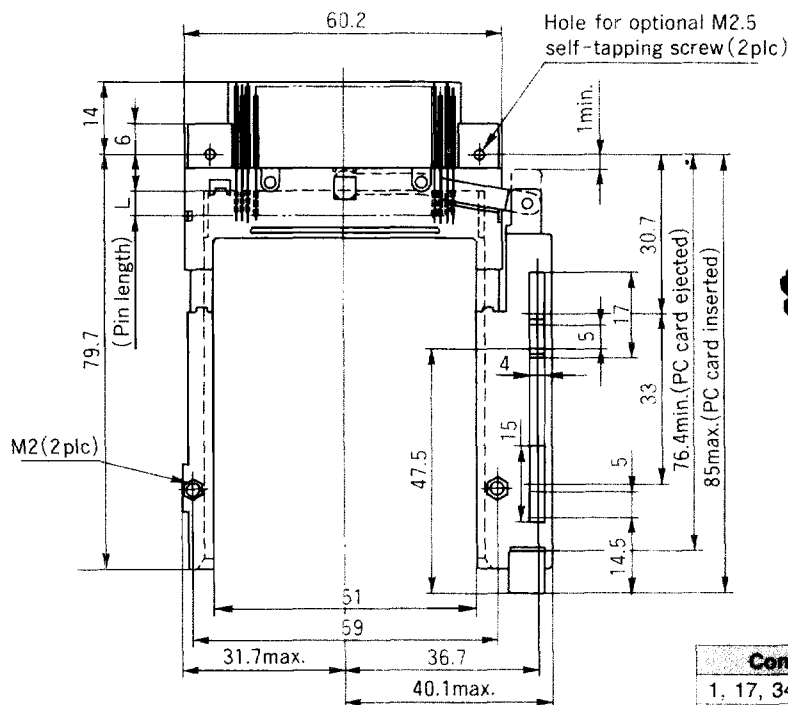
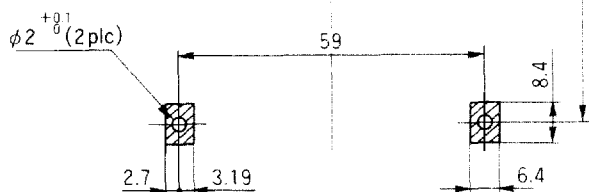
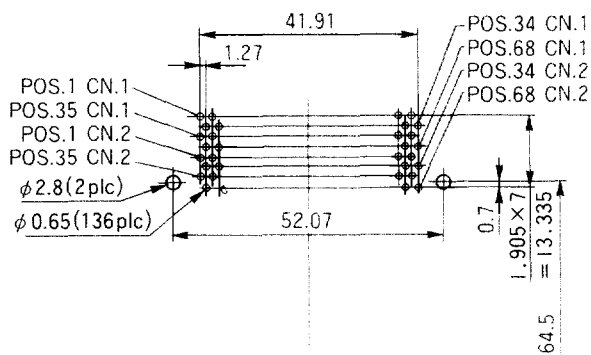
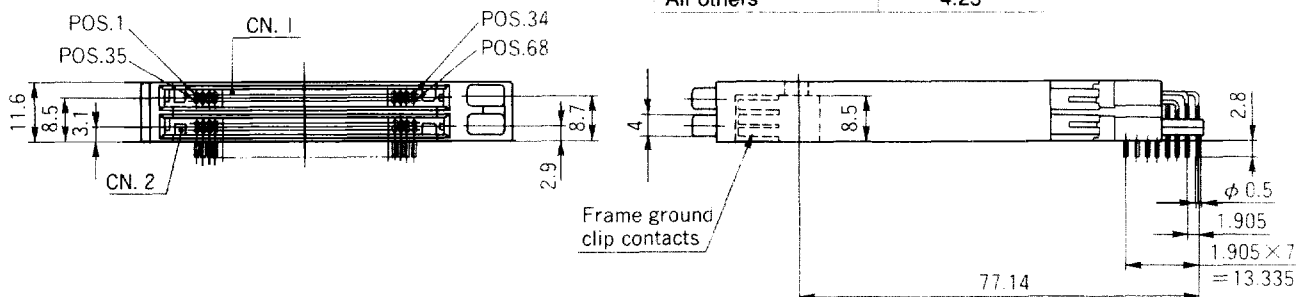


# PC Card Slot Connector, with Ejector, Dual Stack (Type I, II 5V PC Card)

Part Number ● ICM-J68WGLMD-EJ



Contact no.	L (Pin length)
1, 17, 34, 35, 51, 68	5.0
36, 67	3.5
All others	4.25



Recommended PCB layout