



# Self Leaded Power Inductors – HCT Series



This low cost toroidal inductor is designed for high current, low voltage applications, particularly the latest generation of low voltage microprocessors.

The toroid core offers compact size with minimal external magnetic fields.

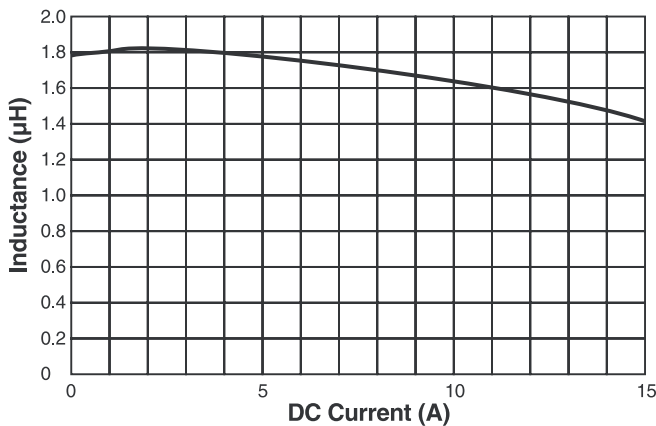
This part can be provided in either vertical or horizontal mounting style. Custom versions can be readily obtained in addition to the standard parts shown

For free evaluation samples, please contact Coilcraft.

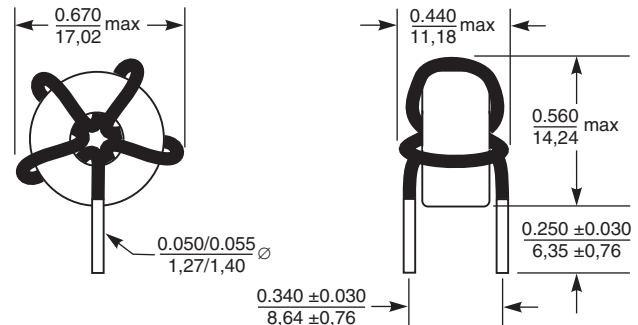
Part number	Mounting style	L at 0 A <sup>1</sup> +20%/-10% ( $\mu$ H)	L at 15 A <sup>1</sup> min ( $\mu$ H)	DCR max (Ohms)	I <sub>rms</sub> <sup>2</sup> (A)
HCT-1-152-15L	Vertical	1.875	1.24	0.0021	15
HCT-2-152-15L	Horizontal	1.875	1.24	0.0021	15

1. Inductance tested at 0.1 V<sub>rms</sub>, 100 kHz.
2. Average current for a 40°C rise above 25°C ambient.
3. Operating temperature -40°C to +85°C.
4. Specifications at 25°C.

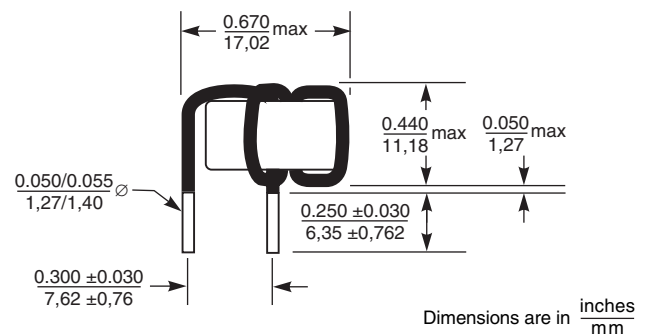
## Inductance vs Current



## Dimensions - Vertical Style



## Dimensions - Horizontal Style



Weight: 5.95 g  
Terminations: Tin-silver over copper

**Coilcraft**<sup>®</sup>

Specifications subject to change without notice.  
Please check our website for latest information.

Document 206 Revised 01/31/05

1102 Silver Lake Road Cary, Illinois 60013 Phone 847/639-6400 Fax 847/639-1469

E-mail [info@coilcraft.com](mailto:info@coilcraft.com) Web <http://www.coilcraft.com>