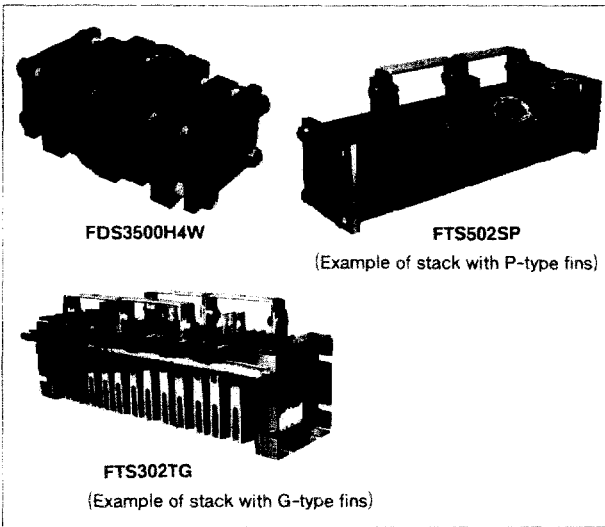


Mitsubishi stacks come in a variety of connection modes and voltage and current ratings so that they can be used in all kinds of DC and AC applications. Mitsubishi stacks include rectifier diode stacks, thyristor stacks, and stacks for welding machines. For cooling system, we offer self-cooled, air-cooled, and water-cooled systems. Stacks for low to medium power are designed specifically compact and lightweight so as to be self-cooled systems. High-power stacks are available in those which use copper cooling fins aimed at high cooling effects to improve current ratings or which use aluminum cooling fins intended for lower cost and lighter weight.



RECTIFIER DIODE STACKS

*1 Connection	Stack series name	DC output (A) *2		AC input voltage (V)	Fin material	
		Self-cooled	Air-cooled			
Single-phase full-wave	FDS402BE	98	310	55 to 220	Al	
	FDS402BG	155	450			
	FDS252BG	150	420			
3-phase full-wave	FDS402TE	145	450	55 to 220		Cu
	FDS402TG	225	635			
	FDS252TG	220	600	330 to 550		
	FDS402TN	215	1040			
3-phase half-wave	FDS602TX	215	1260	110 to 440	Al	
	FDS252SG	220	600			330 to 550
	FDS402SN	215	1040	110 to 440		
	FDS602ST	665	1570			110 to 685
	FDS602SP	360	1630	110 to 685		
	FDS1000ST	690	1850			110 to 685
	FDS1000SP	350	2140	110 to 685		
	FDS1600SJ	700	3300			110 to 685
	FDS3500SU	990	5550	110 to 685		

* 1 : Other available connection types of rectifier diode stacks are single-phase half-wave, double arm, center tap, and six-phase star connections.

* 2 : Values measured at an ambient temperature of 40°C

STACKS FOR WELDING MACHINES

(These offer single-phase inverse-parallel connection configurations.)

Stack series name	Effective control current (A) *1	AC input voltage (V)	Fin material	Device used
	Water-cooled			
FTS802PWK	1550	220, 440	Cu	Thyristor
FTS1201PWK (H, 2Hclass)	2280	220, 440		
FTS1201PWK (48class)	1955	220, 440, (440) 2		
FTS1500PWK	2400	220, 440		
FTS2500PWL	3800	220, 440		
FTS802PWZ	1220	220, 440		

* 1 : These values guarantee continuous use at a water temperature of 30°C and rated flow.

* 2 : For three-phase low-frequency applications

THYRISTOR STACKS

*1 Connection	Stack series name	DC output (A) *2		AC input voltage (V)	Fin material
		Self-cooled	Air-cooled		
Center tap	FTS302CG	105	300	55 to 440	Al
	FTS402CN	95	500	110 to 440	Cu
	FTS502CX	115	660	110 to 440	Al
	FTS502CT	340	840	110 to 440	
	FTS802CT	410	980	110 to 440	Cu
	FTS502CP	185	960	110 to 440	
	FTS802CP	220	1020	110 to 440	Al
	FTS1201CT	420	1130	550 to 685	
	FTS1201CP	220	1180	550 to 685	Cu
	FTS1000CJ	380	1500	110 to 685	
	FTS1500CJ	390	1760	110 to 330	Al
	FTS1500CR	350	1900	440 to 685	
	FTS2500CR	370	2400	110 to 330	Cu
	FTS1500CU	360	1800	825 to 1100	
	FTS2500CU	510	2600	440 to 685	Al
	FTS302TG	150	420	55 to 440	
3-phase full-wave	FTS402TN	140	720	110 to 440	Cu
	FTS502TX	165	950	110 to 440	
	FTS502ST	495	1180	110 to 440	Al
	FTS802ST	585	1370	110 to 440	
3-phase half-wave	FTS502SP	270	1340	110 to 440	Cu
	FTS802SP	320	1420	110 to 440	
	FTS1201ST	600	1580	550 to 685	Al
	FTS1201SP	310	1660	550 to 685	
	FTS1000SJ	550	2050	110 to 685	Cu
	FTS1500SJ	560	2430	110 to 330	
	FTS1500SR	475	2650	440 to 685	
	FTS2500SR	525	3300	110 to 330	
	FTS1500SU	525	2580	825 to 1100	
	FTS2500SU	750	3640	440 to 685	

* 1 : Other available connection types of thyristor stacks are single-phase half-wave, double arm, single-phase inverse-parallel, and six-phase star connections.

* 2 : Values measured at an ambient temperature of 40°C

Stack series name	DC output current (A) *1	AC input voltage (V)	Fin material	Device used
	Water-cooled			
FDS1600H1W-PA	1520	28	Cu	Diode
FDS1600H2W-PA	2520	28		
FDS1600H3W-PA	3950	28		
FDS1600H4W-PA	4620	28		
FDS1600H5W-PA	5590	28		
FDS1600H6W-PA	6510	28		
FDS1600H7W-PA	7380	28		
FDS1600H8W-PA	8200	28		
FDS3500H1W-P	3200	28		
FDS3500H2W-P	5180	28		
FDS3500H3W-P	7240	28		
FDS3500H4W-P	9090	28		
FDS3500H5W-P	10740	28		
FDS3500H6W-P	12290	28		

* 1 : These values guarantee continuous use at a cooling water temperature of 30°C and rated flow.

* We offer GTO thyristor stacks (FGS series) and HVIGBT module * stacks (FGC series) as custom products. For further information contact Mitsubishi.

* HVIGBT MODULE : High Voltage Insulated Gate Bipolar Transistor Modules