

**Silicon NPN Power Transistors**

**BU2525DX**

**DESCRIPTION**

- With TO-3PML package
- High voltage
- High speed switching
- Built-in damper diode

**APPLICATIONS**

- For use in horizontal deflection circuits of large screen color TV receivers

**PINNING**

PIN	DESCRIPTION
1	Base
2	Collector
3	Emitter

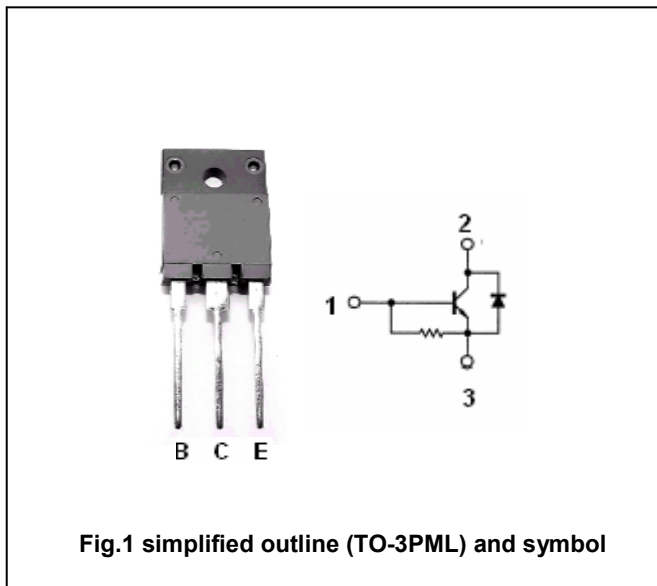


Fig.1 simplified outline (TO-3PML) and symbol

**Absolute maximum ratings(Ta=25°C)**

SYMBOL	PARAMETER	CONDITIONS	VALUE	UNIT
V <sub>CBO</sub>	Collector-base voltage	Open emitter	1500	V
V <sub>CEO</sub>	Collector-emitter voltage	Open base	800	V
V <sub>EBO</sub>	Emitter-base voltage	Open collector	7.5	V
I <sub>C</sub>	Collector current (DC)		12	A
I <sub>CM</sub>	Collector current -peak		30	A
I <sub>B</sub>	Base current (DC)		8	A
I <sub>BM</sub>	Base current -peak		12	A
P <sub>tot</sub>	Total power dissipation	T <sub>C</sub> =25°C	45	W
T <sub>j</sub>	Junction temperature		150	°C
T <sub>stg</sub>	Storage temperature		-55~150	°C

## Silicon NPN Power Transistors

## BU2525DX

## CHARACTERISTICS

T<sub>j</sub>=25 °C unless otherwise specified

SYMBOL	PARAMETER	CONDITIONS	MIN	TYP.	MAX	UNIT
V <sub>CEQ(SUS)</sub>	Collector-emitter sustaining voltage	I <sub>C</sub> =100mA ; I <sub>B</sub> =0, L=25mH	800			V
V <sub>(BR)EBO</sub>	Emitter-base breakdown voltage	I <sub>E</sub> =600mA ; I <sub>C</sub> =0	7.5	13.5		V
V <sub>CEsat</sub>	Collector-emitter saturation voltage	I <sub>C</sub> =8A ; I <sub>B</sub> =1.6 A			5.0	V
V <sub>BEsat</sub>	Base-emitter saturation voltage	I <sub>C</sub> =8A ; I <sub>B</sub> =1.6 A			1.1	V
I <sub>CES</sub>	Collector cut-off current	V <sub>CE</sub> =BV <sub>CEs</sub> ; V <sub>BE</sub> =0 T <sub>C</sub> =125 °C			1.0 2.0	mA
I <sub>EBO</sub>	Emitter cut-off current	V <sub>EB</sub> =6V; I <sub>C</sub> =0	72	110	218	mA
h <sub>FE-1</sub>	DC current gain	I <sub>C</sub> =1A ; V <sub>CE</sub> =5V		11		
h <sub>FE-2</sub>	DC current gain	I <sub>C</sub> =8A ; V <sub>CE</sub> =5V	5	7	9.5	
V <sub>F</sub>	Diode forward voltage	I <sub>F</sub> =8A		1.6	2.0	V
C <sub>C</sub>	Collector capacitance	I <sub>E</sub> =0 ; V <sub>CB</sub> =10V; f=1MHz		145		pF

Silicon NPN Power Transistors

BU2525DX

PACKAGE OUTLINE

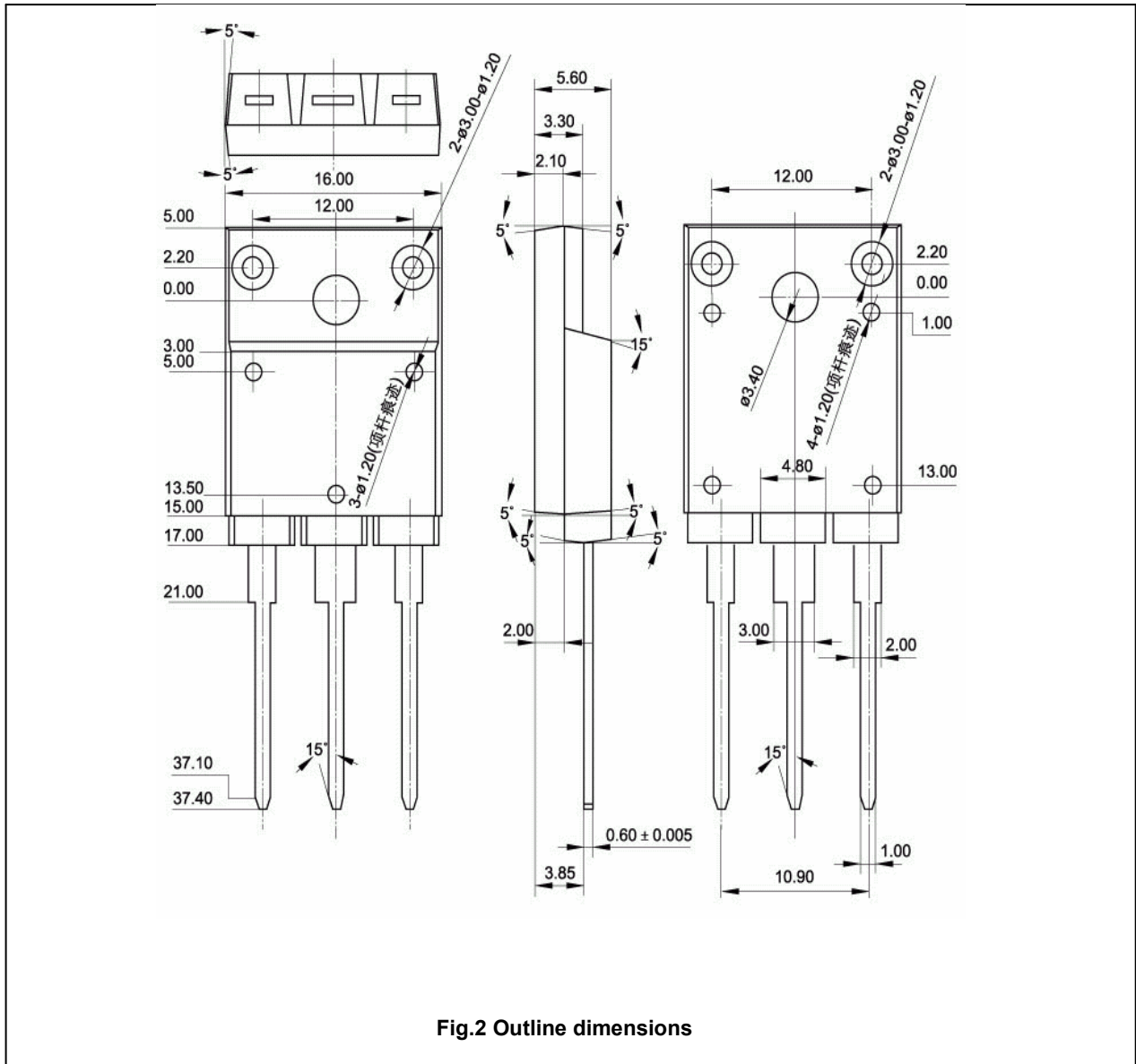


Fig.2 Outline dimensions