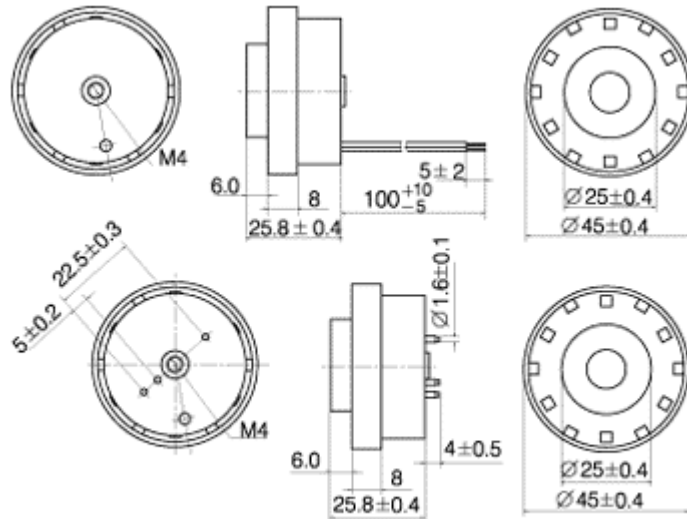




| Type | A | B | C | D |
|-------------------------------------|------------|-------|-------|--------------|
| Rated Voltage(V _{DC}) | 12 | 24 | 12 | |
| Operating Voltage(V _{DC}) | 1~13 | 1~28 | 1~13 | |
| ◆ Rated Current(mA) | < 35 | < 20 | | < 35/20 |
| ◆ Sound Output at 30cm(dB) | > 105 | > 100 | | < 105/100 |
| ◆ Resonant Frequency(Hz) | 2900 ± 500 | | | |
| ◆ Pulse Rated(Pulse/Sec) | NIL | | 2~7 | NIL/2~7 |
| Tone | SINGLE | | PULSE | SINGLE/PULSE |
| Terminal | LEAD/PN | | | 3LEADS |
| Operating Temperature(°C) | -20~+60 | | | |
| Storage Temperature(°C) | -30~+70 | | | |

◆ Value applying at rated voltage.



Unit:mm