

Photoelectric Sensor  
**S2 SERIES**

- S2T-1200 □ □      · S2R-350 □ □
- S2D-80 □ □        · S2D-60 □ □
- BGS-2S30 □ □ □ □ · BGS-2S15 □ □ □ □
- BGS-2S10 □ □ □ □ · BGS-2S25 □ □ □ □

**INSTRUCTION  
MANUAL**

- Confirm if the item meets your needs.
- Before the use, you should first thoroughly read this manual and operate correctly as mentioned.
- You should keep this manual at hand for proper use.

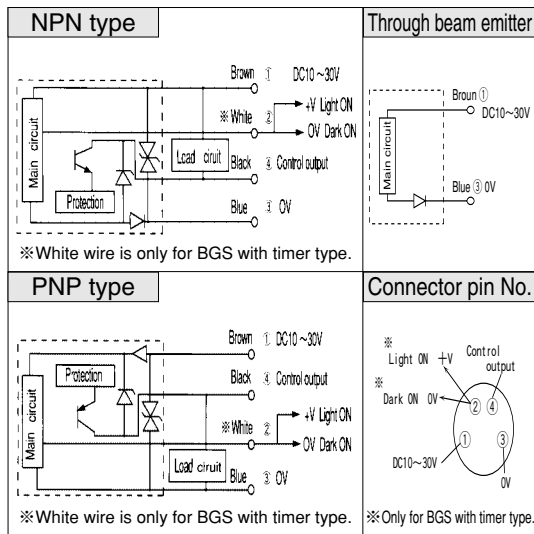
**SPECIFICATION 1**

	Through beam	Retro reflection	Diffused reflection		Limited function type		BGS Type	
					Through beam type	Retro reflection type	with timer function	without timer function
Cable type	S2T-1200N	S2R-350N	S2D-80N	S2D-60N	S2T-1200N/D	S2R-350N/D	BGS-2S30(N,P) T	BGS-2S30(N,P)
Connector type	S2T-1200CN	S2R-350CN	S2D-80CN	S2D-60CN			BGS-2S30C(N,P) T	BGS-2S30C(N,P)
Detecting distance	12m	3.5m	80cm	60cm	12m	3.5m	25~300mm (adjustable range)	
Supply voltage	DC10~30V Including ripple (P-P) 10%							
Current consumption	Sender : 20mA max. Receiver : 15mA max		20mA max.		Sender : 20mA max Receiver : 15mA max		20mA max.      30mA max.	
Light Source	Red LED			IR LED	Red LED			
Response time	0.5ms max.							
Control output	NPN/PNP Open collector 100mA max./DC30V							
Operation mode	Light ON/Dark ON Selectable by swi				Dark ON		Light ON/Dark ON Selectable by wiring	
Sensitivity adjustment	1 turn volume				Not equippend		6 turns endless volume	
Indicator	Out put indicator (orange LED) Stable indicator (green LED) (Green LED of BGS type is stable incident indicator)							
Ambient temp./humidity	-25~55°C / 35~85%RH							
Protection category/material	IP67 (IP65 for limited function type) / Case : ABS (glass included) Front cover : PMMA (PC for BGS type)							
Timer	Not equipped						0~100ms adjustable	Not equipped

**SPECIFICATION 2**

	BGS Type		
Cable type	BGS-2S25(N,P)	BGS-2S10(N,P)	BGS-2S15(N,P)
Connector type	BGS-2S25C(N,P)	BGS-2S10CP	BGS-2S15C(N,P)
Detecting distance	1~250mm	20~100mm	25~150mm
Supply voltage	DC10~30V Including 10% ripple (P-P)		
Current consumption	30mA max.		
Light Source	Red LED		
Response time	0.5ms max.		
Control output	NPN/PNP Open collector 100mA max./DC30V		
Operation mode	Light ON/Dark ON Selectable by wiring		
Sensitivity adjustment	6 turns endless volume		
Indicator	Out put indicator (orange LED) Stable incident indicator (green LED)		
Ambient temp./humid	-25~55°C / 35~85%RH		
Protection category/material	IP67 Case : ABS (glass included) Front cover : PC		
Timer	Not equipped		

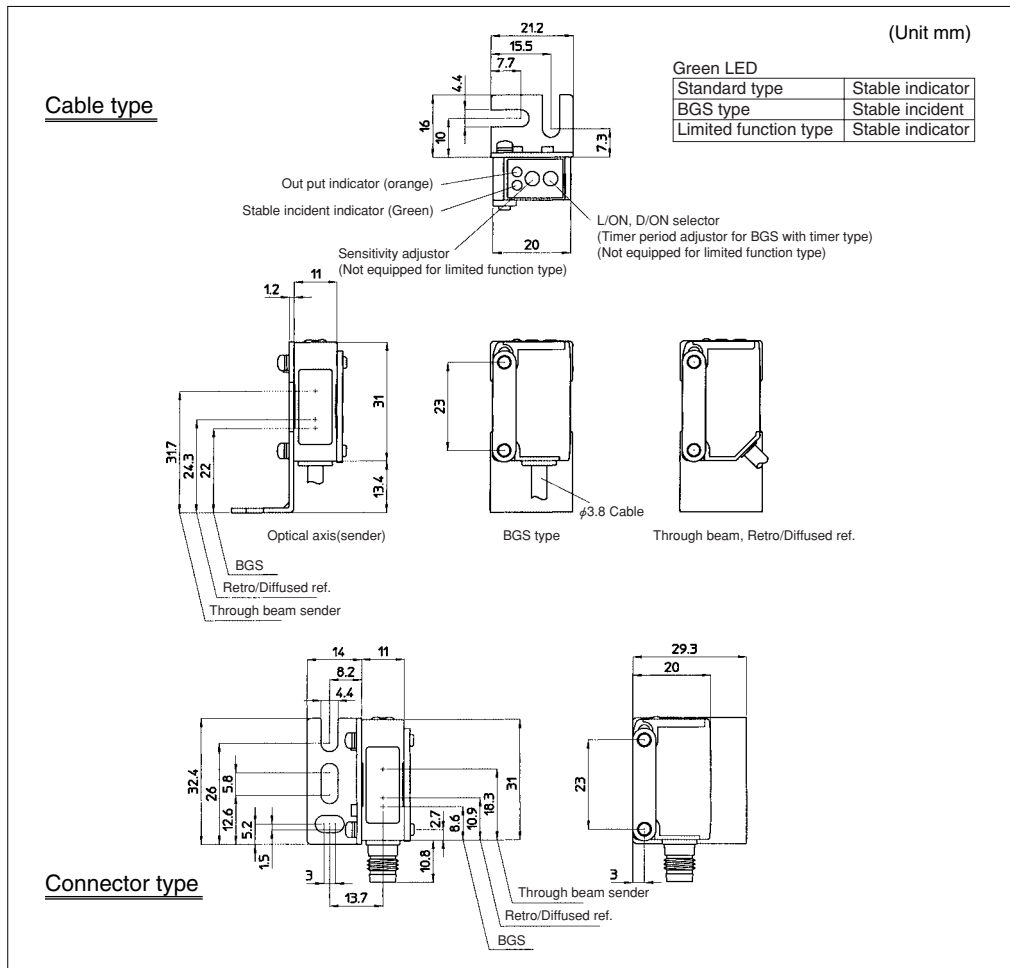
**INPUT AND OUTPUT CIRCUIT DIAGRAMS**



**ACCESSORIES**

- Standard reflector (for Retro-ref.)  
Detecting distance 3.5m      Type : V-6 1  
  
(Unit mm)
- Optional reflector  
Detecting distance 2m      Type : V-4 2  
  
(Unit mm)
- Optional reflector  
Detecting distance 1.2m      Type : P-4 5  
  
(Unit mm)
- Anti-interference filter for Through beam type (option)  
Type : B L-1 4 0-POLF  
Detecting distance : 5 m
- Bracket assy for vertical installation (option)  
Type : B E F-W 1 4 0-B

**DIMENSIONS**



⚠ Must not use this item as safety equipment for the purpose of human body protection.

- Specifications and equipment are subject to change without any obligations on the part of manufacture.
- For more information, questions and comments regarding products, please contact us below.

Manufactured and sold by :  
**OPTEx FA CO., LTD.**

607-8085 Kyoto, Yamashina, Takehanadonomaecho 46-1, JAPAN  
Tel: +81-(0)75-594-8123  
Fax: +81-(0)75-594-8124

www.DataSheet4U.com  
Website : <http://www.optex-fa.com>