

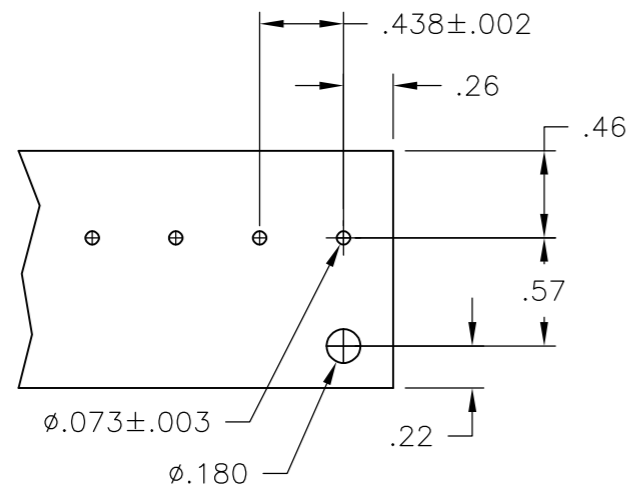
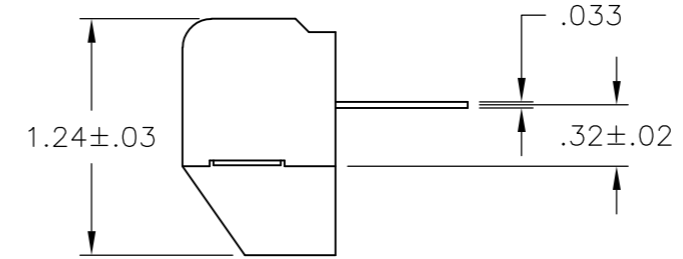
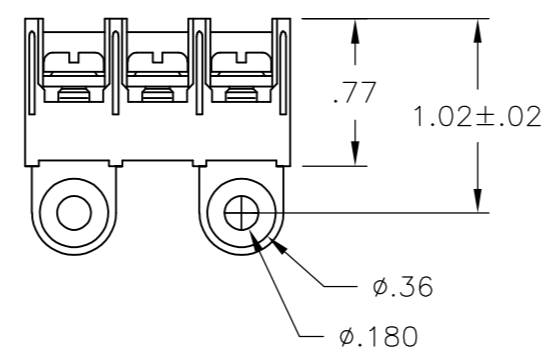
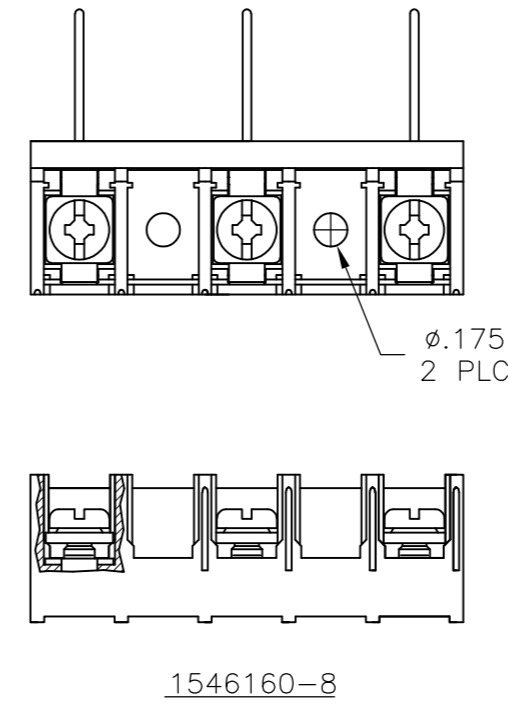
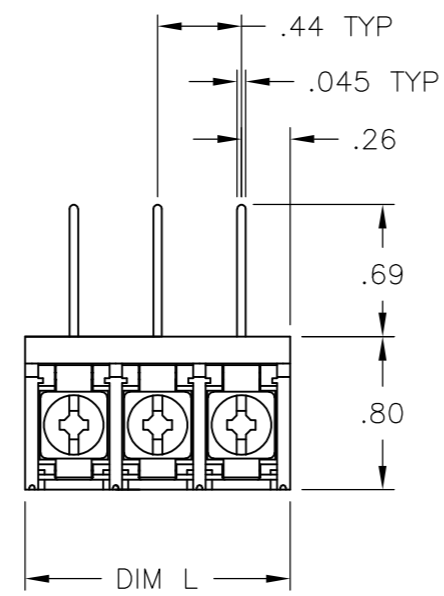
THIS DRAWING IS UNPUBLISHED. RELEASED FOR PUBLICATION  
 © COPYRIGHT BY TYCO ELECTRONICS CORPORATION. ALL RIGHTS RESERVED.

LOC	DIST	REVISIONS					
FT	0	P	LTR	DESCRIPTION	DATE	DWN	APVD
			B	REVISED PER ECO-08-010814	15MAY08	HMR	MZ

**MATERIAL:**  
 HOUSING: THERMOPLASTIC, UL94V-0, BLACK  
 TERMINALS: BRIGHT TIN PLATED COPPER ALLOY  
 SCREWS: 8-32, ZINC PLATED STEEL.

**ELECTRICAL PROPERTIES:**  
 CURRENT RATING: 30A  
 VOLTAGE RATING: 600V  
 WIRE RANGE: 10-18 AWG (UL)  
 10-22 AWG (CSA)

**MECHANICAL:**  
 RECOMMENDED TORQUE: 20 IN-LB.  
 OPERATING TEMP.: -40°C TO +120°C



RECOMMENDED PCB LAYOUT

DIM L	NO OF POS	CATALOG NUMBER	TE NUMBER
8.823	20	8WWR-20-006	2-1546844-0
8.385	19	8WWR-19-006	1-1546844-9
7.948	18	8WWR-18-006	1-1546844-8
7.510	17	8WWR-17-006	1-1546844-7
7.073	16	8WWR-16-006	1-1546844-6
6.635	15	8WWR-15-006	1-1546844-5
6.198	14	8WWR-14-006	1-1546844-4
5.760	13	8WWR-13-006	1-1546844-3
5.323	12	8WWR-12-006	1-1546844-2
4.885	11	8WWR-11-006	1-1546844-1
4.448	10	8WWR-10-006	1-1546844-0
4.010	9	8WWR-09-006	1546844-9
3.573	8	8WWR-08-006	1546844-8
3.135	7	8WWR-07-006	1546844-7
2.698	6	8WWR-06-006	1546844-6
2.260	5	8WWR-05-006	1546844-5
1.823	4	8WWR-04-006	1546844-4
2.260	3	8WWR-03-433	1546160-8
1.385	3	8WWR-03-006	1546160-7
.948	2	8WWR-02-006	1546844-2

THIS DRAWING IS A CONTROLLED DOCUMENT.		DWN S SCHLEGEL 10/25/06	Tyco Electronics Corporation Harrisburg, PA 17105-3608													
DIMENSIONS: INCHES		CHK S YODER 10/25/06	NAME													
TOLERANCES UNLESS OTHERWISE SPECIFIED:		APVD S YODER 10/25/06	8WWR-XX-006 ASSEMBLY													
<table border="1"> <tr><td>0 PLC</td><td>± -</td></tr> <tr><td>1 PLC</td><td>± -</td></tr> <tr><td>2 PLC</td><td>± .01</td></tr> <tr><td>3 PLC</td><td>± .005</td></tr> <tr><td>4 PLC</td><td>± -</td></tr> <tr><td>ANGLES</td><td>± 1'</td></tr> </table>		0 PLC	± -	1 PLC	± -	2 PLC	± .01	3 PLC	± .005	4 PLC	± -	ANGLES	± 1'	PRODUCT SPEC	SIZE	CAGE CODE
0 PLC	± -															
1 PLC	± -															
2 PLC	± .01															
3 PLC	± .005															
4 PLC	± -															
ANGLES	± 1'															
MATERIAL		APPLICATION SPEC	DRAWING NO	RESTRICTED TO												
FINISH		WEIGHT	A3 00779	1546160-7												
		CUSTOMER DRAWING	SCALE 1:1	SHEET 1 OF 1												
			REV B													