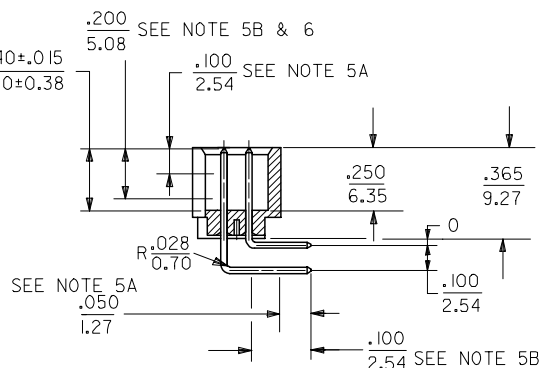
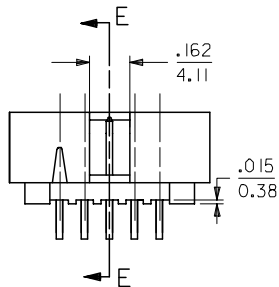
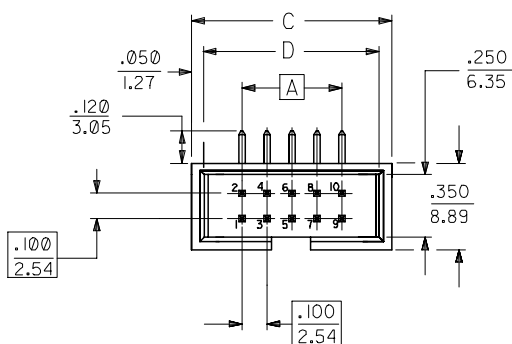
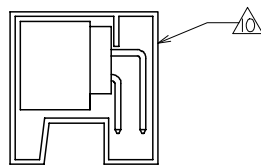


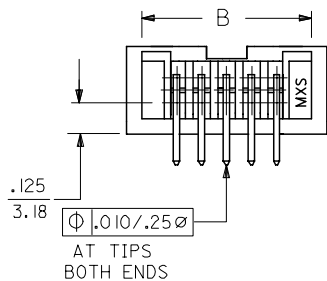
PART NO.	CKT SIZE	A	B	C	D	VOIDED PIN LOCATIONS(S)	KINKED PIN LOCATIONS(S)
70247-1075	10	0.400/10.16	0.680/17.27	0.800/20.32	0.700/17.78	CKT #11, #14	NONE
70247-1475	14	0.600/15.24	0.880/22.35	1.000/25.40	0.900/22.86	CKT #9	NONE
70247-2675	26	1.200/30.48	1.480/37.59	1.600/40.64	1.500/38.10	CKT #9	NONE
70247-3475	34	1.600/40.64	1.880/47.75	2.000/50.80	1.900/48.26	CKT #5	NONE
70247-4075	40	1.900/48.26	2.180/55.37	2.300/58.42	2.200/55.88	CKT #20	NONE



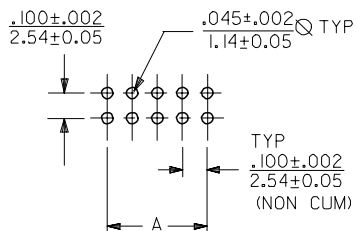
SECTION E-E



LOADED TUBE ORIENTATION



RECOMMENDED P.C. BOARD HOLE LAYOUT



NOTES:

- PIN PUSHOUT FORCE (.9072KG)/2LBS MIN.
- PIN SOLDERABILITY PER MOLEX SPEC. ES-152
- PRODUCT SPEC: PS-70246 APPLIES.
- WAFER TO BE FLAT WITHIN (0.03MM/CM) 0.003IN/IN
- DIMENSIONS FOR PLATING LOCATION :
A-MEASURE POINT FOR THICKNESS.
B-MINIMUM COVERAGE
- GOLD END OF PIN UNLESS OVERALL PLATED.
- PLATING : 50uIN MIN NICKEL UNDERPLATE OVERALL.
15uIN MIN AU & 75uIN MIN TIN IN SELECTIVE AREA.
- NUMBERS ON THE HSG ARE FOR LOCATING VOIDED/KINKED PINS PURPOSES ONLY.
- FOR ILLUSTRATION PURPOSES, IO CKT HOUSING IS SHOWN.
- PARTS TO BE PACK IN TUBE
- MATERIAL:
PINS: .025 SQ. 260 BRASS.
WAFER: PBT, GLASS FILLED, UL94V-0, COLOR: BLACK.

OBS TIN/LEAD P/N EC NO: S2006-0952 DRWN: LONG CHKD: NAGESHKN APPR: PTLIM	QUALITY SYMBOLS ▽=0 ▽C=0	GENERAL TOLERANCES (UNLESS SPECIFIED)		DIMENSION STYLE IN/MM		SCALE NTS	DESIGN UNITS METRIC	THIRD ANGLE PROJECTION	
						DRAWN BY JWAN		DATE 1993/10/25	
						CHECKED BY KCLING		DATE 1993/10/27	
						APPROVED BY JMCHAN		DATE 1993/10/27	
		DRAFT WHERE APPLICABLE MUST REMAIN WITHIN DIMENSIONS		MATERIAL NO. SEE TABLE		DOCUMENT NO. SD-70247-**65		SHEET NO. 1 OF 1	