

# 8-BIT & 12-BIT PROGRAMMABLE PULSE GENERATORS

(SERIES 3D3608 & 3D3612: PARALLEL INTERFACE)

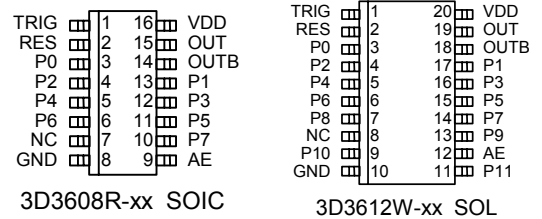


## FEATURES

- All-silicon, low-power CMOS technology
- 3.3V operation
- Vapor phase, IR and wave solderable
- Programmable via latched parallel interface
- **Increment range:** 0.25ns through 800us
- **Pulse width tolerance:** 1% (See Table 1)
- **Supply current:** 8mA typical
- **Temperature stability:** ±1.5% max (-40C to 85C)
- **Vdd stability:** ±1.0% max (3.0V to 3.6V)



## PACKAGES / PINOUTS



For mechanical dimensions, click [here](#).  
For package marking details, click [here](#).

## FUNCTIONAL DESCRIPTION

The 3D3608 & 3D3612 devices are versatile 8- & 12-bit programmable monolithic pulse generators. A rising-edge on the trigger input (TRIG) initiates the pulse, which is presented on the output pins (OUT, OUTB). The pulse width, programmed via the parallel interface, can be varied over 255 (3D3608) or 4095 (3D3612) equal steps according to the formula:

$$t_{PW} = t_{inh} + addr * t_{inc}$$

where addr is the programmed address,  $t_{inc}$  is the pulse width increment (equal to the device dash number), and  $t_{inh}$  is the inherent (address zero) pulse width. The device also offers a reset input (RES), which can be used to terminate the pulse before the programmed time has expired.

The all-CMOS 3D3608 & 3D3612 integrated circuits have been designed as reliable, economic alternatives to hybrid TTL pulse generators. The 3D3608 is offered in a standard 16-pin SOIC, and the 3D3612 is offered in a standard 20-pin SOL.

## PIN DESCRIPTIONS

TRIG    Trigger Input  
RES     Reset Input  
OUT     Pulse Output  
OUTB   Complementary Pulse Output  
AE      Address Enable Input  
P0-P11 Address Inputs  
VDD    +3.3 Volts  
GND    Ground  
NC      Do not connect externally

### TABLE 1: PART NUMBER SPECIFICATIONS

PART # (8-BIT)	PART # (12-BIT)	Pulse Width Increment	Maximum P.W. (8-Bit)	Maximum P.W. (12-Bit)	PART # (8-BIT)	Pulse Width Increment	Maximum P.W. (8-Bit)
3D3608R-0.25	3D3612W-0.25	0.25ns ± 0.12ns	78.25ns ± 3ns	1.04us ± 10ns	3D3608R-100K	100us ± 50us	25.5ms ± 260us
3D3608R-0.5	3D3612W-0.5	0.50ns ± 0.25ns	142.5ns ± 3ns	2.06us ± 21ns	3D3608R-200K	200us ± 100us	51.0ms ± 510us
3D3608R-1	3D3612W-1	1.0ns ± 0.5ns	270ns ± 3ns	4.11us ± 41ns	3D3608R-500K	500us ± 250us	128ms ± 1.3ms
3D3608R-2	3D3612W-2	2.0ns ± 1.0ns	525ns ± 6ns	8.19us ± 82ns	3D3608R-750K	750us ± 375us	191ms ± 1.9ms
3D3608R-5	3D3612W-5	5.0ns ± 2.5ns	1.28us ± 13ns	20.5us ± 205ns			
3D3608R-10	3D3612W-10	10ns ± 5.0ns	2.56us ± 26ns	41.0us ± 410ns			
3D3608R-20	3D3612W-20	20ns ± 10ns	5.11us ± 52ns	81.9us ± 819ns			
3D3608R-50	3D3612W-50	50ns ± 25ns	12.8us ± 128ns	205us ± 2.1us			
3D3608R-100	3D3612W-100	100ns ± 50ns	25.5us ± 255ns	410us ± 4.1us			
3D3608R-200	3D3612W-200	200ns ± 100ns	51.0us ± 510ns	819us ± 8.2us			
3D3608R-500	3D3612W-500	500ns ± 250ns	128us ± 1.3us	2.05ms ± 21us			
3D3608R-1K	3D3612W-1K	1.0us ± 0.5us	255us ± 2.6us	4.10ms ± 41us			
3D3608R-2K	3D3612W-2K	2.0us ± 1.0us	510us ± 5.2us	8.19ms ± 82us			
3D3608R-5K	3D3612W-5K	5.0us ± 2.5us	1.28ms ± 13us	20.5ms ± 205us			
3D3608R-10K	3D3612W-10K	10us ± 5.0us	2.55ms ± 26us	41.0ms ± 410us			
3D3608R-20K	3D3612W-20K	20us ± 10us	5.10ms ± 52us	81.9ms ± 819us			
3D3608R-50K	3D3612W-50K	50us ± 25us	12.8ms ± 128us	205ms ± 2.1ms			

**NOTE:** Any increment between 0.25ns and 800us (50us for the 12-bit generator) not shown is also available as a standard device.

## APPLICATION NOTES

### GENERAL INFORMATION

Figure 1 illustrates the main functional blocks of the 3D3608 & 3D3612. Since these devices are CMOS designs, all unused input pins must be returned to well-defined logic levels, VDD or Ground.

The pulse generator architecture is comprised of a number of delay cells (for fine control) and an oscillator & counter (for coarse control). Each device is individually trimmed for maximum accuracy and linearity throughout the address range. The change in pulse width from one address setting to the next is called the *increment*, or LSB. It is nominally equal to the device dash number. The minimum pulse width, achieved by setting the address to zero, is called the *inherent pulse width*.

For best performance, it is essential that the power supply pin be adequately bypassed and filtered. In addition, the power bus should be of as low an impedance construction as possible. Power planes are preferred. Also, signal traces should be kept as short as possible.

### PULSE WIDTH ACCURACY

There are a number of ways of characterizing the pulse width accuracy of a programmable pulse generator. The first is the *differential nonlinearity* (DNL), also referred to as the increment error. It is defined as the deviation of the increment at a given address from its nominal value. For most dash numbers, the DNL is within 0.5 LSB at every address (see Table 1: Pulse Width Step).

The *integrated nonlinearity* (INL) is determined by first constructing the least-squares best fit straight line through the pulse-width-versus-address data. The INL is then the deviation of a given width from this line. For all dash numbers, the INL is within 1.0 LSB at every address.

The *relative error* is defined as follows:

$$e_{rel} = (t_{PW} - t_{inh}) - addr * t_{inc}$$

where *addr* is the address,  $t_{PW}$  is the measured width at this address,  $t_{inh}$  is the measured inherent width, and  $t_{inc}$  is the nominal increment. It is very similar to the INL, but simpler to calculate. For most dash numbers, the relative error is less than 1.0 LSB at every address (see Table 1).

The *absolute error* is defined as follows:

$$e_{abs} = t_{PW} - (t_{inh} + addr * t_{inc})$$

where  $t_{inh}$  is the nominal inherent delay. The absolute error is limited to 1.5 LSB or 3.0 ns, whichever is greater, at every address.

The *inherent pulse width error* is the deviation of the inherent width from its nominal value. It is limited to 2.0 ns from the nominal inherent pulse width of 15 ns.

### PULSE WIDTH STABILITY

The characteristics of CMOS integrated circuits are strongly dependent on power supply and temperature. The 3D3608 & 3D3612 utilize novel compensation circuitry to minimize the performance variations induced by fluctuations in power supply and/or temperature.

With regard to stability, the output pulse width of the 3D3608 & 3D3612 at a given address, *addr*, can be split into two components: the *inherent pulse width* ( $t_{inh}$ ) and the *relative pulse width* ( $t_{PW} - t_{inh}$ ). These components exhibit very different stability coefficients, both of which must be considered in very critical applications.

The thermal coefficient of the relative pulse width is limited to  $\pm 250$  PPM/C (except for the -0.25), which is equivalent to a variation, over the -40C to 85C operating range, of  $\pm 1.5\%$  ( $\pm 9\%$  for the dash 0.25) from the room-temperature pulse width. This holds for all dash numbers. The thermal coefficient of the inherent pulse width is nominally +20ps/C for dash numbers less than 5, and +30ps/C for all other dash numbers.

The power supply sensitivity of the relative pulse width is  $\pm 1.0\%$  ( $\pm 3.0\%$  for the dash 0.25) over the 3.0V to 3.6V operating range, with respect to the pulse width at the nominal 3.3V power supply. This holds for all dash numbers. The sensitivity of the inherent pulse width is nominally -5ps/mV for all dash numbers.

It should also be noted that the DNL is also adversely affected by thermal and supply variations, particularly at the MSL/LSB crossovers (ie, 63 to 64, 127 to 128, etc).

### APPLICATION NOTES (CONT'D)

#### TRIGGER & RESET TIMING

Figure 2 shows the timing diagram of the device when the reset input (RES) is not used. In this case, the pulse is triggered by the rising edge of the TRIG signal and ends at a time determined by the address loaded into the device. While the pulse is active, any additional triggers occurring are ignored. Once the pulse has ended, and after a short recovery time, the next trigger is recognized. Figure 3 shows the timing for the case where a reset is issued before the pulse has ended. Again, there is a short recovery time required before the next trigger can occur.

#### ADDRESS UPDATE

The 3D3608/3D3612 can operate in one of two addressing modes. In the transparent mode (AE held high), the parallel address inputs must persist for the duration of the output pulse, in accordance with Figure 4. In the latched mode, the address data is stored internally, which allows the parallel inputs to be connected to a multi-purpose data bus. Timing for this mode is also shown in Figure 4.

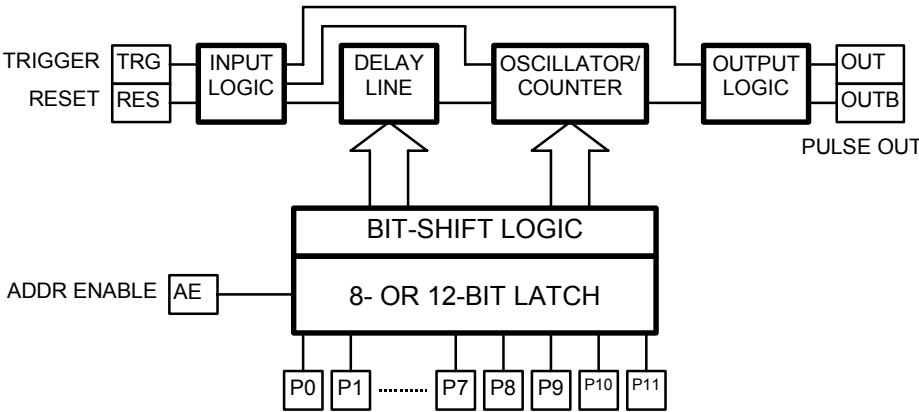


Figure 1: Functional block diagram

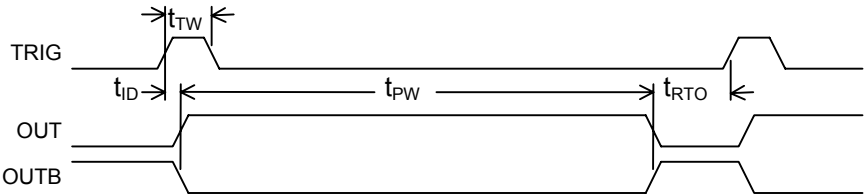


Figure 2: Timing Diagram (RES=0)

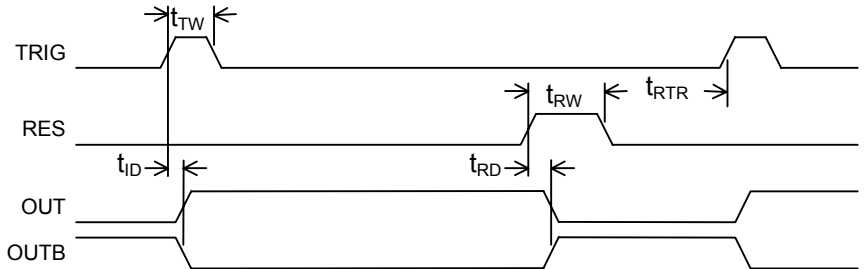


Figure 3: Timing Diagram (with reset)

APPLICATION NOTES (CONT'D)

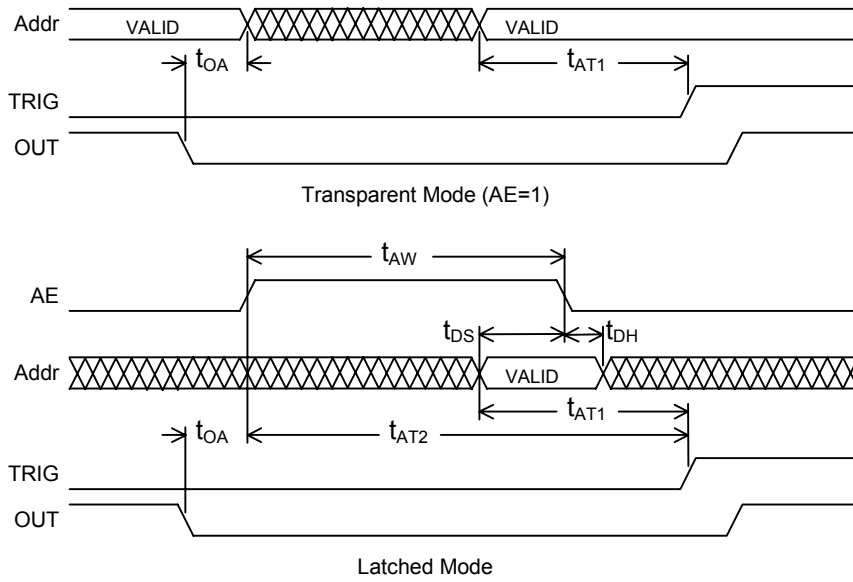


Figure 4: Address Update

## DEVICE SPECIFICATIONS

### TABLE 2: ABSOLUTE MAXIMUM RATINGS

PARAMETER	SYMBOL	MIN	MAX	UNITS	NOTES
DC Supply Voltage	V <sub>DD</sub>	-0.3	7.0	V	
Input Pin Voltage	V <sub>IN</sub>	-0.3	V <sub>DD</sub> +0.3	V	
Input Pin Current	I <sub>IN</sub>	-10	10	mA	25C
Storage Temperature	T <sub>STRG</sub>	-55	150	C	
Lead Temperature	T <sub>LEAD</sub>		300	C	10 sec

### TABLE 3: DC ELECTRICAL CHARACTERISTICS

(-40C to 85C, 3.0V to 3.6V)

PARAMETER	SYMBOL	MIN	TYP	MAX	UNITS	NOTES
Static Supply Current*	I <sub>DD</sub>		8.0	12.0	mA	
High Level Input Voltage	V <sub>IH</sub>	2.0			V	
Low Level Input Voltage	V <sub>IL</sub>			0.8	V	
High Level Input Current	I <sub>IH</sub>			1.0	μA	V <sub>IH</sub> = V <sub>DD</sub>
Low Level Input Current	I <sub>IL</sub>			1.0	μA	V <sub>IL</sub> = 0V
High Level Output Current	I <sub>OH</sub>		-35.0	-4.0	mA	V <sub>DD</sub> = 3.0V V <sub>OH</sub> = 2.4V
Low Level Output Current	I <sub>OL</sub>	4.0	15.0		mA	V <sub>DD</sub> = 3.0V V <sub>OL</sub> = 0.4V
Output Rise & Fall Time	T <sub>R</sub> & T <sub>F</sub>		2.0	2.5	ns	C <sub>LD</sub> = 5 pf

$$*I_{DD}(\text{Dynamic}) = 2 * C_{LD} * V_{DD} * F$$

where: C<sub>LD</sub> = Average capacitance load/output (pf)  
F = Trigger frequency (GHz)

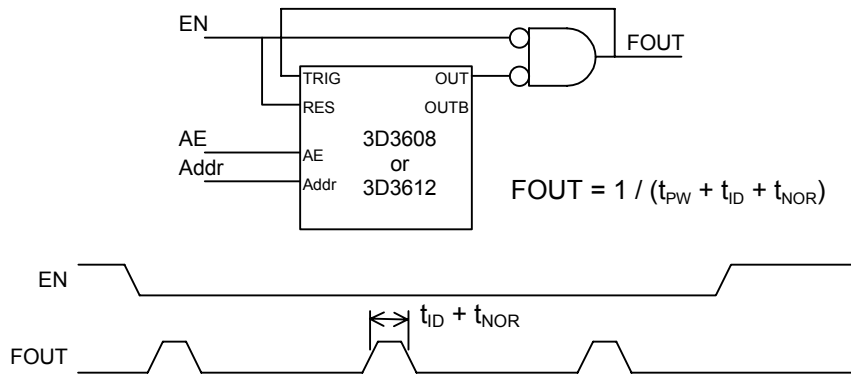
Input Capacitance = 5 pf typical  
Output Load Capacitance (C<sub>LD</sub>) = 25 pf max

### TABLE 4: AC ELECTRICAL CHARACTERISTICS

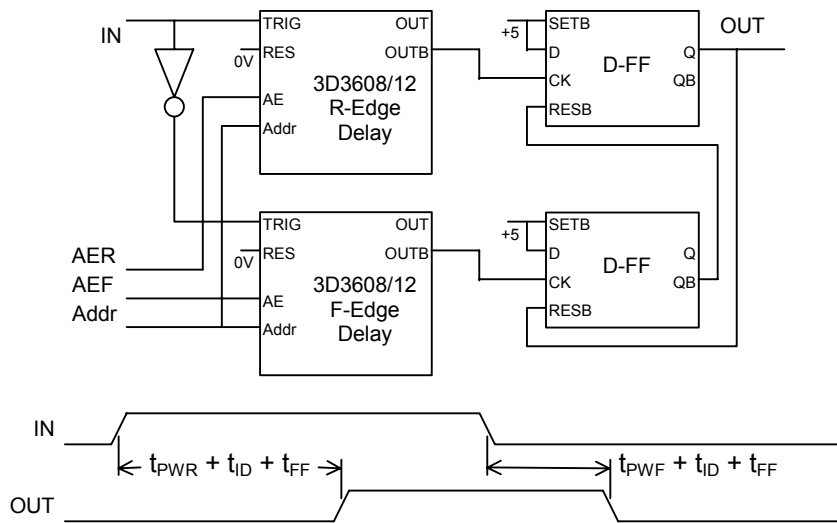
(-40C to 85C, 3.0V to 3.6V)

PARAMETER	SYMBOL	MIN	TYP	MAX	UNITS	REFER TO
Trigger Width	t <sub>TW</sub>	5			ns	Figure 2 & 3
Trigger Inherent Delay	t <sub>ID</sub>			5	ns	Figure 2 & 3
Output Pulse Width	t <sub>PW</sub>				ns	Figure 2
Re-trigger Time	t <sub>RTO</sub>	3			ns	Figure 2
Reset Width	t <sub>RW</sub>	TBD			ns	Figure 3
Reset to Output Low	t <sub>RD</sub>			5	ns	Figure 3
End of Reset to Next Trigger	t <sub>RTR</sub>	3			ns	Figure 3
AE Width	t <sub>AW</sub>	12			ns	Figure 4
Data Setup to AE Low	t <sub>DS</sub>	10			ns	Figure 4
Data Hold from AE Low	t <sub>DH</sub>	3			ns	Figure 4
Output Low to AE High	t <sub>OA</sub>	3			ns	Figure 4
Data Valid to Trigger	t <sub>AT1</sub>	10			ns	Figure 4
AE High to Trigger	t <sub>AT2</sub>	10			ns	Figure 4

**TYPICAL APPLICATIONS**



**Figure 5: Programmable Oscillator**



**Figure 6: Programmable Delay Line**

## SILICON DEVICE AUTOMATED TESTING

### TEST CONDITIONS

#### INPUT:

**Ambient Temperature:**  $25^{\circ}\text{C} \pm 3^{\circ}\text{C}$

**Supply Voltage (Vcc):**  $5.0\text{V} \pm 0.1\text{V}$

**Input Pulse:** High =  $3.0\text{V} \pm 0.1\text{V}$   
Low =  $0.0\text{V} \pm 0.1\text{V}$

**Source Impedance:**  $50\Omega$  Max.

**Rise/Fall Time:**  $3.0\text{ ns Max.}$  (measured between  $0.6\text{V}$  and  $2.4\text{V}$ )

**Pulse Width:**  $\text{PW}_{\text{IN}} = 20\text{ns}$

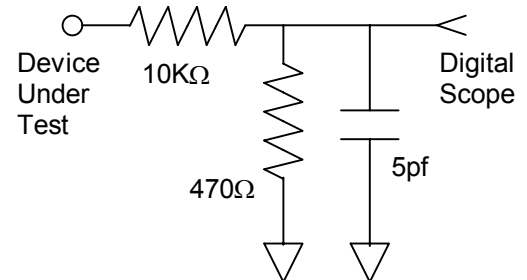
**Period:**  $\text{PER}_{\text{IN}} = 2 \times \text{Prog'd Pulse Width}$

#### OUTPUT:

**R<sub>load</sub>:**  $10\text{K}\Omega \pm 10\%$

**C<sub>load</sub>:**  $5\text{pf} \pm 10\%$

**Threshold:**  $1.5\text{V}$  (Rising & Falling)



**NOTE:** The above conditions are for test only and do not in any way restrict the operation of the device.

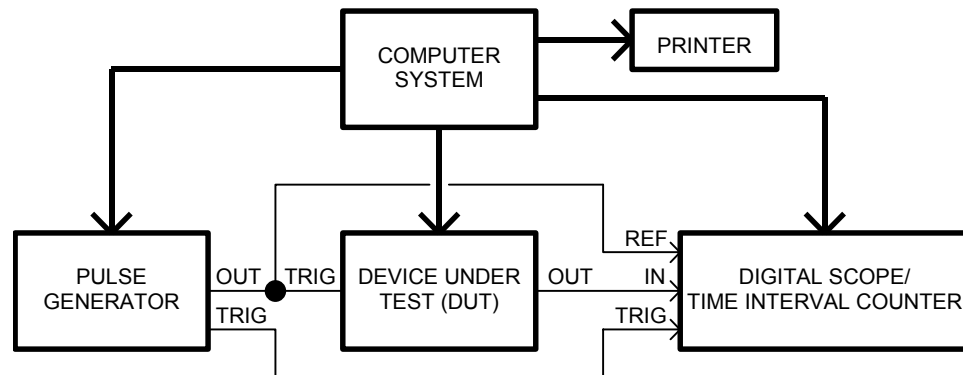


Figure 7: Test Setup

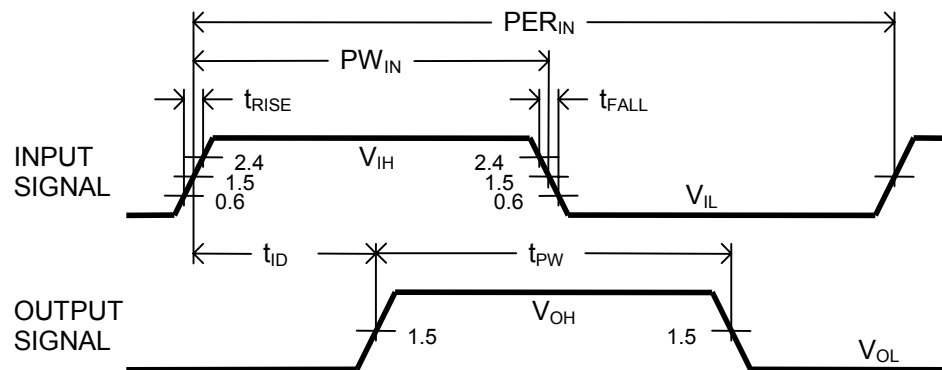


Figure 8: Timing Diagram