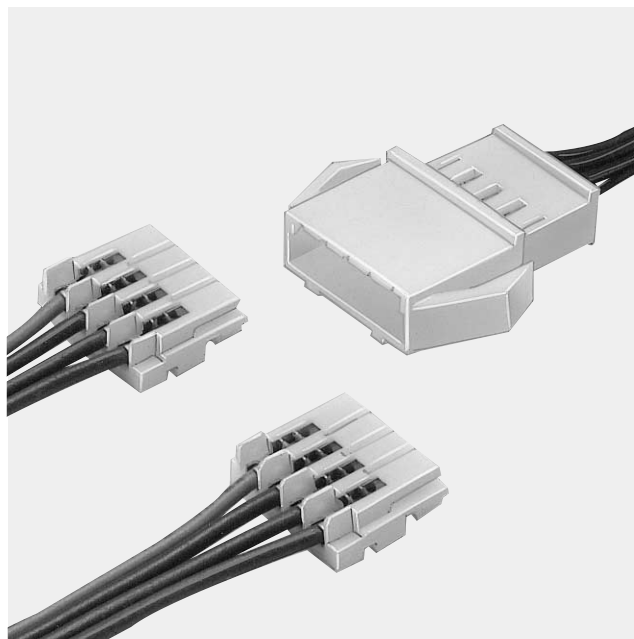


# HM CONNECTOR

Wire-to-wire connectors - Matable with HR receptacles



## Features

- **Both crimp style and insulation displacement receptacles can be used**

Both crimp style and insulation displacement HR connector receptacles can be accommodated by the HM connector.

- **Housing-to-terminal locks**

Spring action housing-to-terminal locks are an inherent part of the housing, and assure smooth contact insertion and firm contact retention yet with low insertion force.

- **Mountable on a variety of panels**

Due to our unique panel installation locking mechanisms, the housing can be easily installed on panels of various thicknesses without using tools.

- **Highly reliable housing construction**

Since all of the contacts are individually and totally surrounded by housing walls, the contacts are protected from deformation from outside sources of stress or from mismatching. The polarized housing shape prevents reverse connection.

## Specifications

- Current rating: Crimp style HR connectors type  
3A AC, DC max.  
Insulation displacement HR connectors type  
2A AC, DC max.
- Voltage rating: 250V AC, DC max. (See Note below.)
- Temperature range: -25°C to +85°C  
(including temperature rise in applying electrical current)
- Contact resistance: Initial value/10m Ω max.  
After environmental testing/20m Ω max.
- Insulation resistance: 500M Ω min.
- Withstanding voltage: 1,000V AC/minute
- Applicable wire: AWG #26 to #22  
0.13 to 0.33mm<sup>2</sup>
- Applicable panel thickness: 0.8 to 1.6mm (.031" to .063")

*Note: Contacts are exposed at the housing lances.*

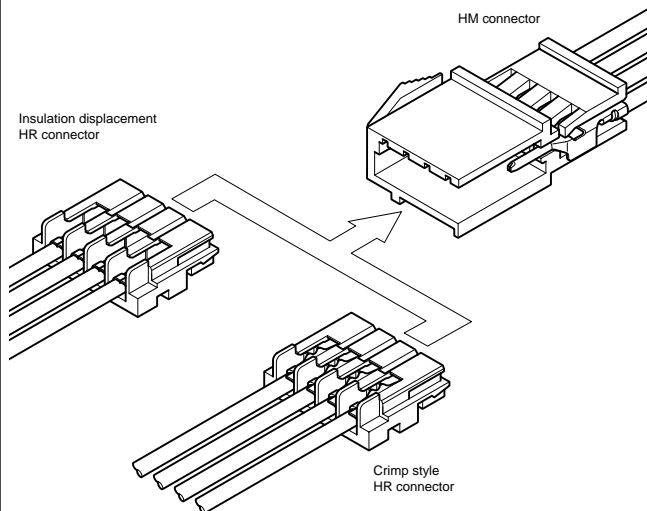
*Care should be taken so that these parts do not touch the metal section of the chassis.*

- \* Contact JST if Lead-Free product is required.
- \* Refer to "General Instruction and Notice when using Terminals and Connectors" at the end of this catalog.
- \* Contact JST for details.

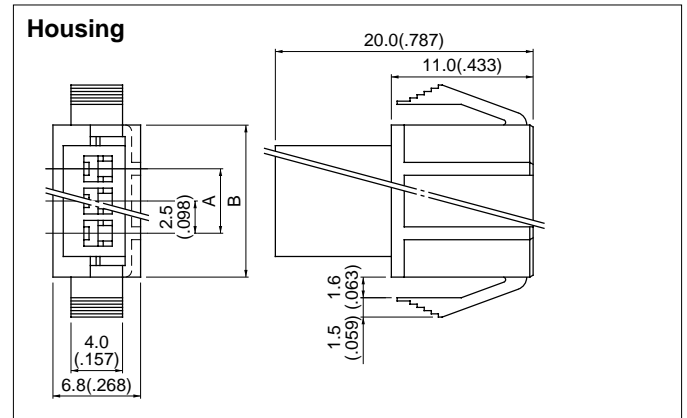
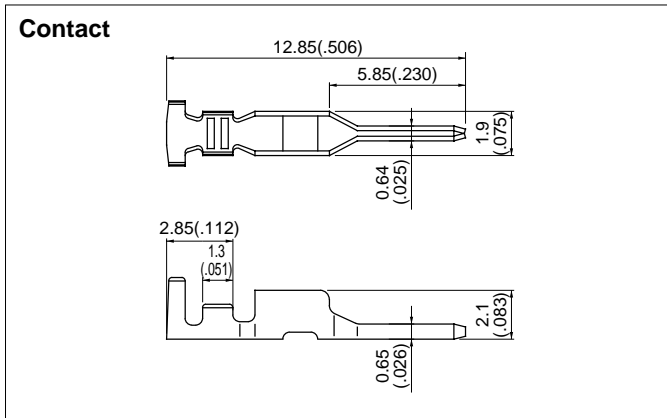
## Standards

Recognized E60389

Certified LR20812



## Plug / HM connector

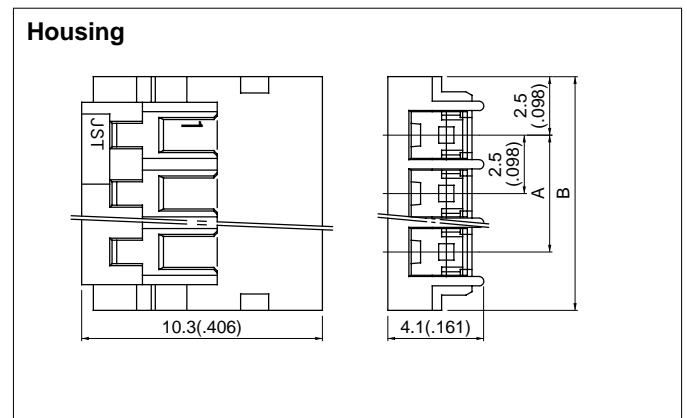
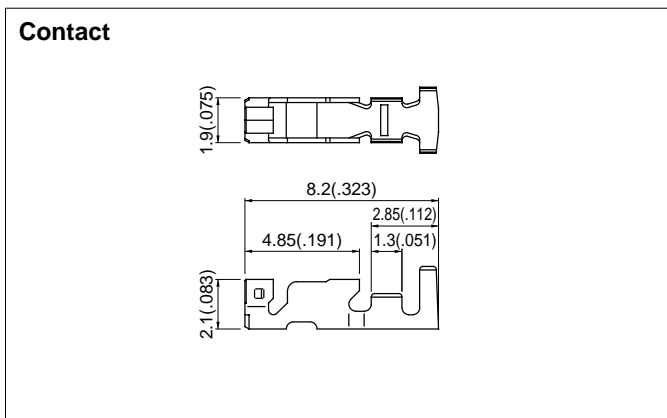


Model No.	Applicable wire			Q'ty / reel
	mm <sup>2</sup>	AWG #	Insulation O.D. mm(in.)	
<b>SMR-001T-0.6</b>	0.13 to 0.33	26 to 22	1.3 to 1.7(.051 to .067)	9,000
Material and Finish				
Brass, tin-plated				

Circuits	Model No.	Dimensions mm(in.)		Q'ty / bag
		A	B	
2	<b>HMR-02V</b>	2.5( .098)	9.3( .366)	1,000
3	<b>HMR-03V</b>	5.0( .197)	11.8( .465)	500
4	<b>HMR-04V</b>	7.5( .295)	14.3( .563)	500
8	<b>HMR-08V</b>	17.5( .689)	24.3( .957)	500
12	<b>HMR-12V</b>	27.5(1.083)	34.3(1.350)	500

Material				
Nylon 66, UL94V-0				

## Receptacle / Crimp style HR connector



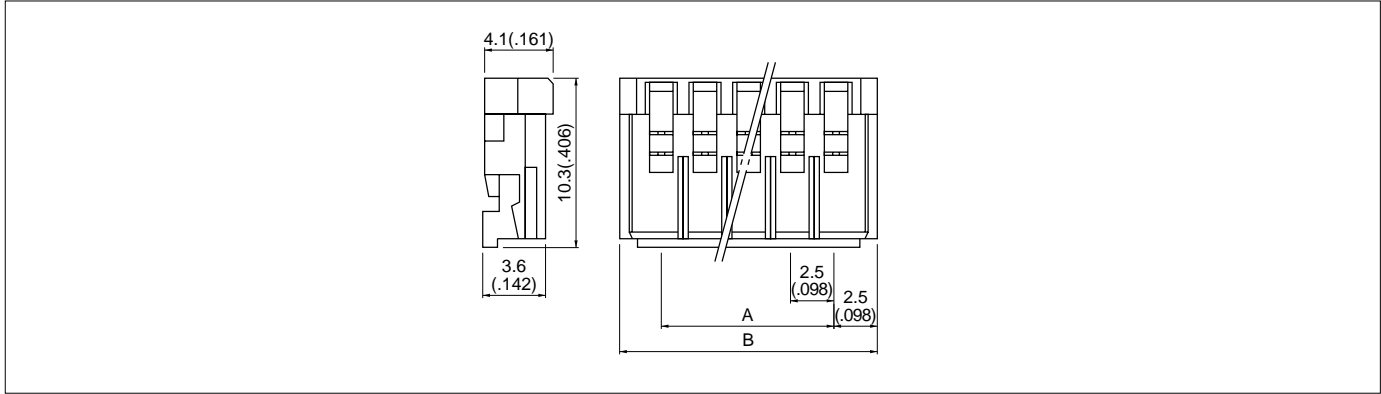
Model No.	Applicable wire			Q'ty / reel
	mm <sup>2</sup>	AWG #	Insulation O.D. mm(in.)	
<b>SHR-001T-P0.6</b>	0.13 to 0.33	26 to 22	1.3 to 1.7(.051 to .067)	9,000
Material and Finish				
Phosphor bronze, tin-plated				

Circuits	Model No.	Dimensions mm(in.)		Q'ty / bag
		A	B	
2	<b>HRP-02-S</b>	2.5( .098)	7.5( .295)	2,000
3	<b>HRP-03-S</b>	5.0( .197)	10.0( .394)	2,000
4	<b>HRP-04-S</b>	7.5( .295)	12.5( .492)	1,000
8	<b>HRP-08-S</b>	17.5( .689)	22.5( .886)	500
12	<b>HRP-12-S</b>	27.5(1.083)	32.5(1.280)	500

Material				
Nylon 66, UL94V-0				

# HM CONNECTOR

## Receptacle/Insulation displacement HR connector

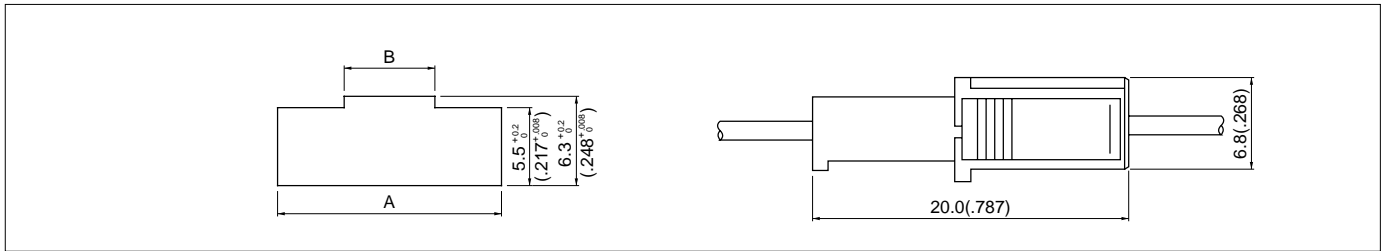


Circuits	Model No.			Dimensions mm(in.)		Q'ty / bag
	# 28	# 26	# 24	A	B	
2	02HR-8M	02HR-6S	02HR-4K	2.5( .098)	7.5( .295)	1,000
3	03HR-8M	03HR-6S	03HR-4K	5.0( .197)	10.0( .394)	1,000
4	04HR-8M	04HR-6S	04HR-4K	7.5( .295)	12.5( .492)	1,000
8	08HR-8M	08HR-6S	08HR-4K	17.5( .689)	22.5( .886)	500
12	12HR-8M	12HR-6S	12HR-4K	27.5(1.083)	32.5(1.280)	500

### Material and Finish

Contact: Phosphor bronze, copper-undercoated, tin/lead-plated  
Housing: Nylon 66, UL94-V-0

## Panel layout and Assembly layout



Circuits	Housing	Panel hole dimensions mm(in.) General tolerance		Applicable panel thickness mm(in.)
		A $^{+0.2}_{0} (+.008)$	B $^{+0.2}_{0} (+.008)$	
2	HMR-02V	13.3( .524)	3.9( .154)	0.8 to 1.6 (.031 to .063)
3	HMR-03V	15.8( .622)	6.4( .252)	
4	HMR-04V	18.3( .720)	8.9( .350)	
8	HMR-08V	28.3(1.114)	18.9( .744)	
12	HMR-12V	38.3(1.508)	28.9(1.138)	

- Note:
1. Punch holes in the panel according to the sketch and table shown above. Burrs must be removed.
  2. The strength of the panel must be considered when punching two or more holes.
  3. The connector must be inserted from the same side as the hole is punched.

## Applicator for the semi-automatic press AP-K2N

Contact	Crimp applicator MKS-L		Compact crimp applicator MKS-LS		Strip-crimp applicator MKS-SC
	with safety cover	without safety cover	with safety cover	without safety cover	with safety cover
SMR-001T-0.6	APLMK SHR/MR001-06	APLNC SHR/MR001-06	-	-	APLSC SHR/MR001-06
SHR-001T-P0.6	APLMK SHR/MR001-06	APLNC SHR/MR001-06	-	-	APLSC SHR/MR001-06