

300mA, Low-Dropout Voltage Regulator

features

- **Guaranteed 300mA Output Current**
- **Low Dropout Voltage of 300mV at 300mA**
- **3.3V and 3.5V fixed output options**
- **2% Output Accuracy**
- **Internal Thermal Overload Protection**
- **Short Circuit Protection**
- **SOT-223, SOT-89-3 Package Options**

description

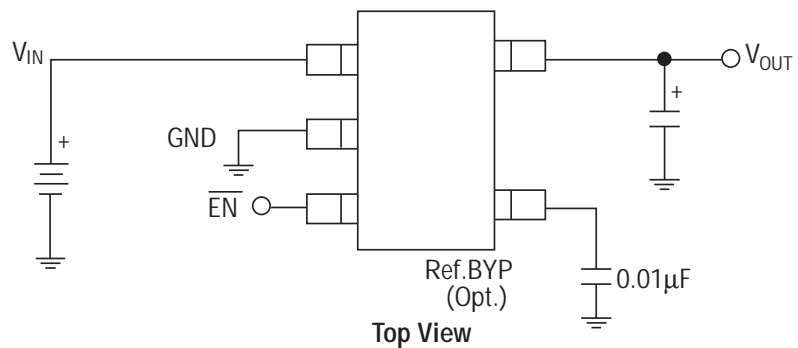
The SPX2808 is a low power voltage regulator that meets the requirements of battery-powered applications such as cordless telephones, radio control systems, and portable computers. The SPX2808 has a very low quiescent current (1 μ A) and very low dropout voltage (typ. 100mV at light load and 400mV at 200mA). The SPX2808 is offered in a 3-pin SOT-89 and SOT-223.

P

applications

- **CD-ROM**
- **Scanner**
- **Radio Control Systems**
- **Portable Instrumentation**
- **Cordless Telephones**
- **USB**
- **Toys**

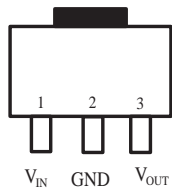
typical application circuit



SPX2808

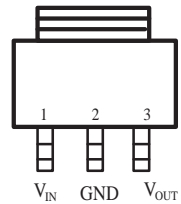
packages

SOT-89 (M1)



Top View

SOT-223 (M3)



Front View



ordering information - *Please consult the factory for pricing and availability on a Tape-On-Reel option.*

Part Number	Accuracy	Output Voltage	Packages
SP2808AM1-3.3	2%	3.3V	3 pin SOT-89
SP2808AM1-3.5	2%	3.5V	3 pin SOT-89
SP2808M1-3.3	3%	3.3V	3 pin SOT-89
SP2808M1-3.5	3%	3.5V	3 pin SOT-89
SP2808AM3-3.3	2%	3.3V	3 pin SOT-223
SP2808AM3-3.5	2%	3.5V	3 pin SOT-223
SP2808M3-3.3	3%	3.3V	3 pin SOT-223
SP2808M3-3.5	3%	3.5V	3 pin SOT-223