

SPECIFICATIONS

Mechanical

Insertion Force: 55.5N max.
Withdrawal Force: 49.0N max.
Durability: 250 Cycles.

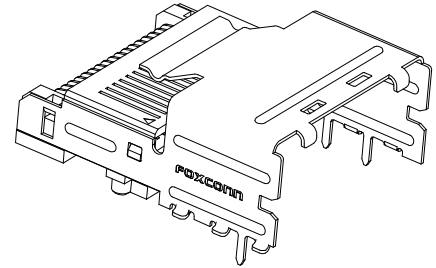
Electrical

Voltage Rating: 250V.
Current Rating: 0.5A min. per pin.
Contact Resistance: Δ20mΩ max. after Life testing.
Dielectric Withstanding Voltage: 300V AC.
Insulation Resistance: 1000MΩ min.

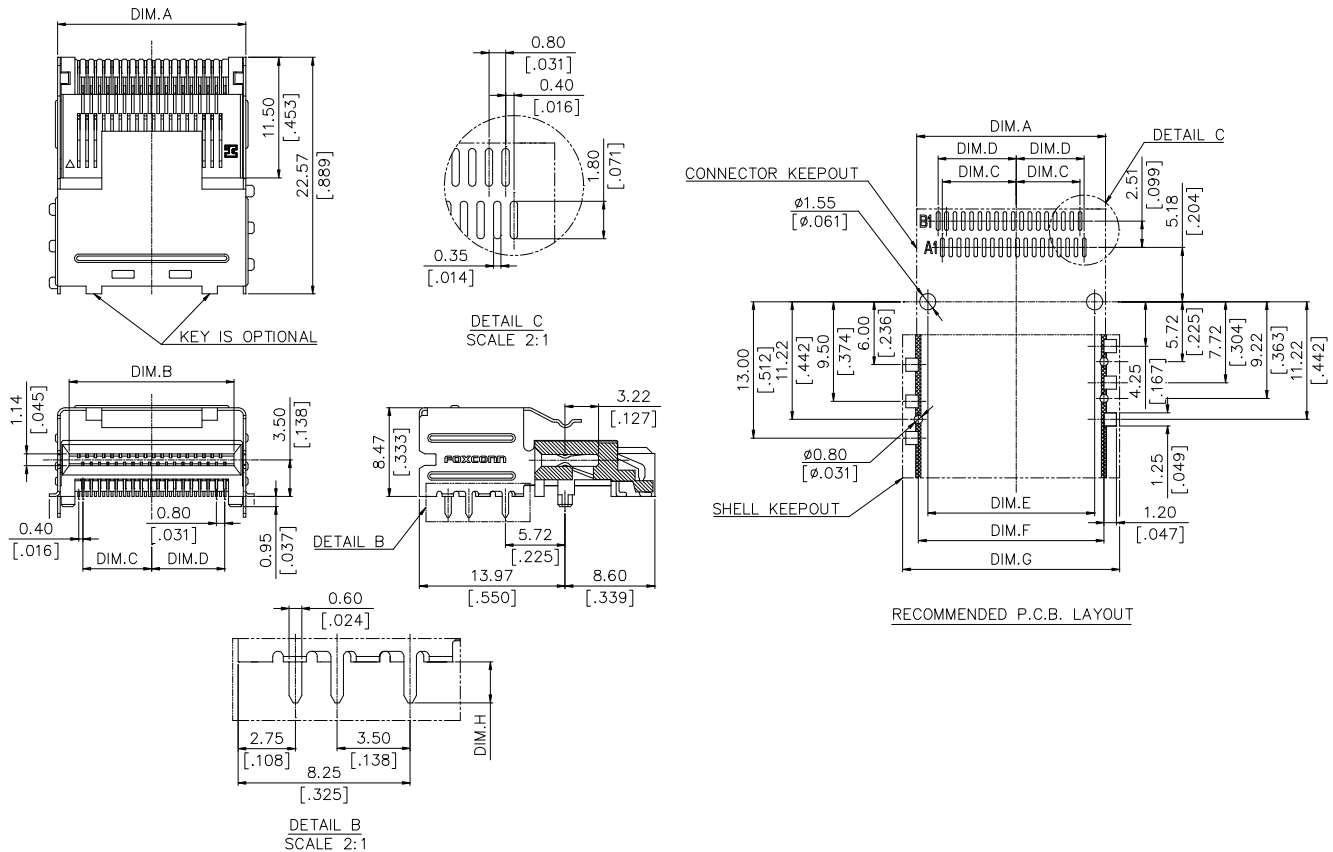
Physical

Housing: Thermoplastic, UL94 V-0 rated in Black Color
Contact: Copper alloy
Plating: See "ORDERING INFORMATION"
Operating Temperature: -20°C to +85°C

Mini SAS Connector
LD21 Series
R/A, SMT, Receptacle
0.8mm [.032"] Pitch



DRAWING



ORDERING INFORMATION

PRODUCT NO. : LD21***-M8***

S-ATA Series
Mating End Type
2=Receptacle
Mounting End Type
1= SMT, R/A
No. of Pos.
36 = 36 Pos.
50 = 50 Pos.
68 = 68 Pos.
Packing Type
None=Tray
6 = Tape&Reel
Housing Material
L = LCP,Color Black
Modification Code
(1,2,3,4...)
External Mini SAS
Mini SAS Type
Contact Area Plating
H=30u" Gold With RoHS Compliance
V=15u" Gold With RoHS Compliance

LD2168*-M8***	30.85 [1.215]	28.60 [1.126]	13.00 [.512]	13.40 [.528]	28.80 [1.134]	30.60 [1.205]	32.60 [1.283]
LD2150*-M8***	23.65 [.931]	21.40 [.843]	9.40 [.370]	9.80 [.386]	21.60 [.850]	23.40 [.921]	25.40 [1.000]
LD2136*-M8***	18.05 [.711]	15.80 [.622]	6.60 [.260]	7.00 [.276]	16.00 [.630]	17.80 [.701]	19.80 [.780]
PRODUCT No.	DIM.A	DIM.B	DIM.C	DIM.D	DIM.E	DIM.F	DIM.G

LD21***-M8D**	1.96 [.077]	SMT	UNIVERSAL
LD21***-M8C**	1.96 [.077]	SMT	DUAL KEY
LD21***-M8B**	1.96 [.077]	SMT	RIGHT KEY
LD21***-M8A**	1.96 [.077]	SMT	LEFT KEY
LD21***-M86**	2.79 [.110]	SMT	UNIVERSAL
PRODUCT No.	DIM.H	SHELL P.C.B. OPTION	SHELL KEY OPTION