

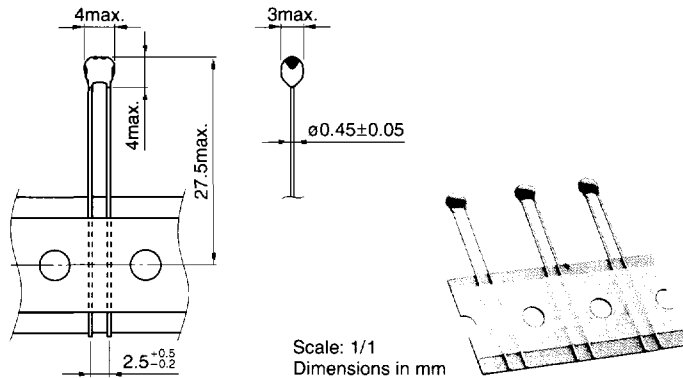
Inductors (Coils)
Fixed
RF-frequency

# RADIAL LEADED INDUCTORS

## EL series

### EL0304 TYPE (Ammo-pack taping style)

#### SHAPES AND DIMENSIONS



#### CHARACTERISTICS

Operating temperature range	-20 to +80°C (including self-temperature rise, 20°C max.)
Dielectric withstand voltage Erms	250V
Rated current	Based on inductance change rate (10% drop in initial value)
Terminal tensile strength	4.9N min.
Moisture resistance characteristics	$\Delta L/L \leq \pm 5\%$ $\Delta Q/Q \leq \pm 25\%$

#### ELECTRICAL CHARACTERISTICS

Inductance ( $\mu\text{H}$ )	Inductance tolerance	Q min.	Test frequency L, Q(MHz)	Self-resonant frequency (MHz)min.	DC resistance ( $\Omega$ )max.	Rated current (mA)max.	Part No.
0.22	$\pm 20\%$	30	25.2	220	0.18	745	EL0304RA-R22M
0.27	$\pm 20\%$	30	25.2	190	0.2	700	EL0304RA-R27M
0.33	$\pm 20\%$	30	25.2	160	0.24	645	EL0304RA-R33M
0.39	$\pm 20\%$	30	25.2	140	0.26	620	EL0304RA-R39M
0.47	$\pm 20\%$	30	25.2	120	0.29	585	EL0304RA-R47M
0.56	$\pm 20\%$	30	25.2	110	0.33	550	EL0304RA-R56M
0.68	$\pm 20\%$	30	25.2	94	0.37	515	EL0304RA-R68M
0.82	$\pm 20\%$	40	25.2	83	0.42	485	EL0304RA-R82M
1	$\pm 10\%$	40	7.96	74	0.45	470	EL0304RA-1R0K
1.2	$\pm 10\%$	40	7.96	66	0.5	445	EL0304RA-1R2K
1.5	$\pm 10\%$	40	7.96	58	0.58	415	EL0304RA-1R5K
1.8	$\pm 10\%$	40	7.96	52	0.64	395	EL0304RA-1R8K
2.2	$\pm 10\%$	40	7.96	45	0.72	365	EL0304RA-2R2K
2.7	$\pm 10\%$	40	7.96	41	0.86	340	EL0304RA-2R7K
3.3	$\pm 10\%$	40	7.96	37	0.92	325	EL0304RA-3R3K
3.9	$\pm 10\%$	40	7.96	34	1	315	EL0304RA-3R9K
4.7	$\pm 10\%$	40	7.96	31	1.1	300	EL0304RA-4R7K
5.6	$\pm 10\%$	40	7.96	28	1.2	285	EL0304RA-5R6K
6.8	$\pm 10\%$	40	7.96	26	1.4	265	EL0304RA-6R8K
8.2	$\pm 10\%$	40	7.96	23	1.6	250	EL0304RA-8R2K
10	$\pm 10\%$	40	2.52	21	1.7	240	EL0304RA-100K
12	$\pm 10\%$	40	2.52	19	1.9	225	EL0304RA-120K
15	$\pm 10\%$	40	2.52	17	2.1	215	EL0304RA-150K
18	$\pm 10\%$	40	2.52	16	2.3	205	EL0304RA-180K
22	$\pm 10\%$	40	2.52	14	2.6	195	EL0304RA-220K
27	$\pm 10\%$	40	2.52	13	3.5	165	EL0304RA-270K
33	$\pm 10\%$	40	2.52	12	4.2	150	EL0304RA-330K
39	$\pm 10\%$	40	2.52	11	4.9	140	EL0304RA-390K
47	$\pm 10\%$	40	2.52	10	5.6	130	EL0304RA-470K
56	$\pm 10\%$	40	2.52	9.4	8.4	109	EL0304RA-560K
68	$\pm 10\%$	40	2.52	8.6	9.4	105	EL0304RA-680K



Inductors (Coils)
Fixed
RF-frequency

# RADIAL LEADED INDUCTORS

## EL series

### EL0304 TYPE

#### ELECTRICAL CHARACTERISTICS

Inductance ( $\mu$ H)	Inductance tolerance	Q min.	Test frequency L, Q(MHz)	Self-resonant frequency (MHz)min.	DC resistance ( $\Omega$ )max.	Rated current (mA)max.	Part No.
82	$\pm 10\%$	40	2.52	7.8	10	100	EL0304RA-820K
100	$\pm 10\%$	30	0.796	7	11	95	EL0304RA-101K
120	$\pm 10\%$	30	0.796	6.6	12	90	EL0304RA-121K
150	$\pm 10\%$	30	0.796	6	15	80	EL0304RA-151K
180	$\pm 10\%$	30	0.796	5.4	20	70	EL0304RA-181K
220	$\pm 10\%$	30	0.796	5	23	65	EL0304RA-221K



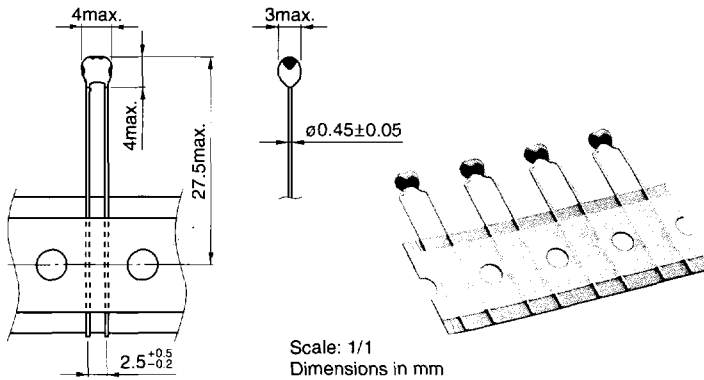
Inductors (Coils)
Fixed
RF-frequency

# RADIAL LEADED INDUCTORS

## EL series

### EL0305 TYPE (Ammo-pack taping style)

#### SHAPES AND DIMENSIONS



#### CHARACTERISTICS

Operating temperature range	-20 to +80°C (including self-temperature rise, 20°C max.)
Dielectric withstand voltage Erms	250V
Rated current	Based on inductance change rate (10% drop in initial value)
Terminal tensile strength	7.84N min.
Moisture resistance characteristics	$\Delta L/L \leq \pm 5\%$ $\Delta Q/Q \leq \pm 25\%$

#### ELECTRICAL CHARACTERISTICS

Inductance ( $\mu\text{H}$ )	Inductance tolerance	Q min.	Test frequency L, Q(MHz)	Self-resonant frequency (MHz)min.	DC resistance ( $\Omega$ )max.	Rated current (mA)max.	Part No.
0.22	$\pm 10\%$	20	25.2	150	0.08	1400	EL0305RA-R22K
0.33	$\pm 10\%$	20	25.2	150	0.09	1300	EL0305RA-R33K
0.47	$\pm 10\%$	20	25.2	130	0.1	1200	EL0305RA-R47K
0.68	$\pm 10\%$	20	25.2	120	0.12	1100	EL0305RA-R68K
1	$\pm 10\%$	50	7.96	100	0.14	1000	EL0305RA-1R0K
1.5	$\pm 10\%$	50	7.96	70	0.2	800	EL0305RA-1R5K
2.2	$\pm 5\%$	50	7.96	55	0.21	750	EL0305RA-2R2J
3.3	$\pm 5\%$	50	7.96	45	0.24	670	EL0305RA-3R3J
4.7	$\pm 5\%$	50	7.96	35	0.29	560	EL0305RA-4R7J
6.8	$\pm 5\%$	50	7.96	27	0.36	420	EL0305RA-6R8J
10	$\pm 5\%$	15	2.52	20	0.4	400	EL0305RA-100J
15	$\pm 5\%$	15	2.52	17	0.51	320	EL0305RA-150J
22	$\pm 5\%$	15	2.52	13	0.65	300	EL0305RA-220J
33	$\pm 5\%$	15	2.52	10.5	1	240	EL0305RA-330J
47	$\pm 5\%$	15	2.52	9.5	1.4	180	EL0305RA-470J
68	$\pm 5\%$	15	2.52	8.5	1.8	170	EL0305RA-680J
100	$\pm 5\%$	40	0.796	6.8	3	140	EL0305RA-101J
150	$\pm 5\%$	40	0.796	5.7	4.8	120	EL0305RA-151J
220	$\pm 5\%$	40	0.796	4	7.8	90	EL0305RA-221J
330	$\pm 5\%$	40	0.796	3.3	11	80	EL0305RA-331J
470	$\pm 5\%$	40	0.796	2.8	17	60	EL0305RA-471J



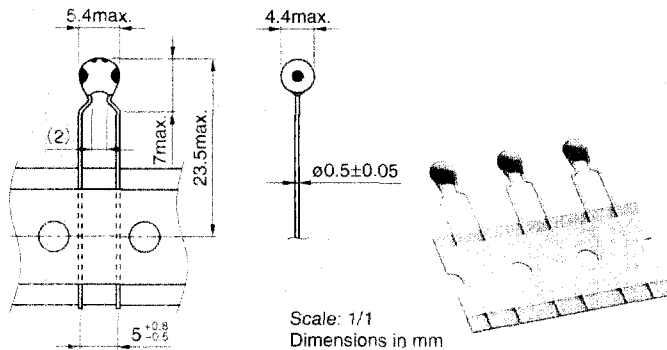
Specifications which provide more details for the proper and safe use of the described product are available upon request.

All specifications are subject to change without notice.

# RADIAL LEADED INDUCTORS

## EL series

### EL0405 TYPE (Ammo-pack taping style) SHAPES AND DIMENSIONS



### CHARACTERISTICS

Operating temperature range	-20 to +80°C (including self-temperature rise, 20°C max.)
Dielectric withstand voltage Erms	250V
Rated current	Based on inductance change rate (10% drop in initial value)
Terminal tensile strength	7.84N min.
Moisture resistance characteristics	$\Delta L/L \leq \pm 5\%$ $\Delta Q/Q \leq \pm 25\%$

### ELECTRICAL CHARACTERISTICS

Inductance (μH)	Inductance tolerance	Q min.	Test frequency L, Q(MHz)	Self-resonant frequency (MHz)	DC resistance min. (Ω) max.	Rated current (mA) max.	Part No.
0.22	±20, ±10%	50	25.2	150	0.15	800	EL0405RA-R22□-3
0.27	±20, ±10%	50	25.2	150	0.15	800	EL0405RA-R27□-3
0.33	±20, ±10%	50	25.2	150	0.15	800	EL0405RA-R33□-3
0.39	±20, ±10%	50	25.2	130	0.15	800	EL0405RA-R39□-3
0.47	±20, ±10%	50	25.2	130	0.15	800	EL0405RA-R47□-3
0.56	±20, ±10%	50	25.2	130	0.2	700	EL0405RA-R56□-3
0.68	±20, ±10%	50	25.2	120	0.2	700	EL0405RA-R68□-3
0.82	±20, ±10%	50	25.2	120	0.2	700	EL0405RA-R82□-3
1	±10, ±5%	50	7.96	85	0.22	674	EL0405RA-1R0□-3
1.2	±10, ±5%	50	7.96	75	0.24	645	EL0405RA-1R2□-3
1.5	±10, ±5%	50	7.96	65	0.27	608	EL0405RA-1R5□-3
1.8	±10, ±5%	50	7.96	55	0.3	577	EL0405RA-1R8□-3
2.2	±10, ±5%	50	7.96	50	0.33	550	EL0405RA-2R2□-3
2.7	±10, ±5%	50	7.96	45	0.37	520	EL0405RA-2R7□-3
3.3	±10, ±5%	50	7.96	40	0.42	488	EL0405RA-3R3□-3
3.9	±10, ±5%	50	7.96	35	0.46	466	EL0405RA-3R9□-3
4.7	±10, ±5%	50	7.96	30	0.53	434	EL0405RA-4R7□-3
5.6	±10, ±5%	50	7.96	27	0.56	422	EL0405RA-5R6□-3
6.8	±10, ±5%	50	7.96	25	0.63	398	EL0405RA-6R8□-3
8.2	±10, ±5%	50	7.96	22	0.7	378	EL0405RA-8R2□-3
10	±10, ±5%	50	2.52	20	0.8	353	EL0405RA-100□-3
12	±10, ±5%	50	2.52	18	0.87	339	EL0405RA-120□-3
15	±10, ±5%	50	2.52	15	1	316	EL0405RA-150□-3
18	±10, ±5%	50	2.52	12	1.11	301	EL0405RA-180□-3
22	±10, ±5%	40	2.52	11	1.35	272	EL0405RA-220□-3
27	±10, ±5%	40	2.52	10	1.55	254	EL0405RA-270□-3
33	±10, ±5%	40	2.52	9.5	1.75	239	EL0405RA-330□-3
39	±10, ±5%	40	2.52	9	2	223	EL0405RA-390□-3
47	±10, ±5%	40	2.52	8.5	2.2	213	EL0405RA-470□-3
56	±10, ±5%	40	2.52	8	2.4	204	EL0405RA-560□-3
68	±10, ±5%	40	2.52	7.5	3.3	174	EL0405RA-680□-3
82	±10, ±5%	40	2.52	7	3.7	164	EL0405RA-820□-3

□: Please specify inductance tolerance, M(±20%), K(±10%) or J (±5%)

6-44

Catalog No. AVE-002

**TDK**  
TDK CORPORATION



Specifications which provide more details for the proper and safe use of the described product are available upon request.

All specifications are subject to change without notice.

Inductors (Coils)
Fixed
RF-frequency

# RADIAL LEADED INDUCTORS


## EL series

### EL0405 TYPE

#### ELECTRICAL CHARACTERISTICS

Inductance ( $\mu$ H)	Inductance tolerance	Q min.	Test frequency L, Q(MHz)	Self-resonant frequency (MHz)	DC resistance min. ( $\Omega$ )max.	Rated current (mA)max.	Part No.
100	$\pm 10, \pm 5\%$	35	0.796	6.5	4.4	150	EL0405RA-101□*-3
120	$\pm 10, \pm 5\%$	35	0.796	6.2	5.1	140	EL0405RA-121□-3
150	$\pm 10, \pm 5\%$	35	0.796	5.7	5.95	130	EL0405RA-151□-3
180	$\pm 10, \pm 5\%$	35	0.796	5.3	7	120	EL0405RA-181□-3
220	$\pm 10, \pm 5\%$	35	0.796	4	8	112	EL0405RA-221□-3
270	$\pm 10, \pm 5\%$	35	0.796	3.6	12.4	90	EL0405RA-271□-3
330	$\pm 10, \pm 5\%$	35	0.796	3.3	13.2	87	EL0405RA-331□-3
390	$\pm 10, \pm 5\%$	35	0.796	3	15.4	80	EL0405RA-391□-3
470	$\pm 10, \pm 5\%$	35	0.796	2.8	17.3	76	EL0405RA-471□-3
560	$\pm 10, \pm 5\%$	30	0.796	2.4	21	69	EL0405RA-561□-3
680	$\pm 10, \pm 5\%$	30	0.796	2.2	23.5	65	EL0405RA-681□-3
820	$\pm 10, \pm 5\%$	30	0.796	2	26.5	61	EL0405RA-821□-3
1000	$\pm 10, \pm 5\%$	25	0.252	1.8	31.5	56	EL0405RA-102□-3

\*□: Please specify inductance tolerance, K( $\pm 10\%$ ) or J( $\pm 5\%$ )

 Specifications which provide more details for the proper and safe use of the described product are available upon request.

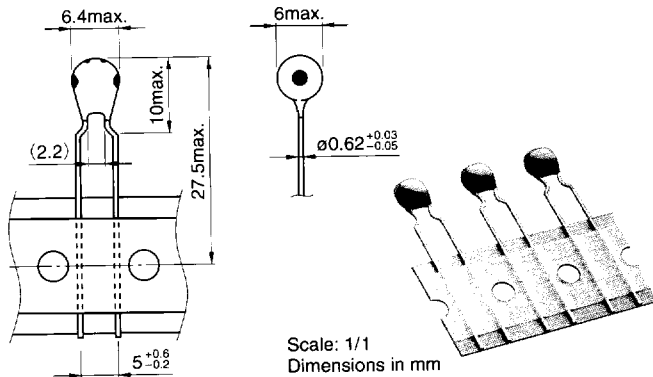
All specifications are subject to change without notice.

Inductors (Coils)
Fixed
RF-frequency

# RADIAL LEADED INDUCTORS

## EL series

### EL0606 TYPE (Ammo-pack taping style) SHAPES AND DIMENSIONS



### CHARACTERISTICS

Operating temperature range	-20 to +80°C (including self-temperature rise, 20°C max.)
Dielectric withstand voltage Erms	250V
Rated current	Based on inductance change rate (10% drop in initial value)
Terminal tensile strength	14.7N min.
Moisture resistance characteristics	$\Delta L/L \leq \pm 5\%$ $\Delta Q/Q \leq \pm 25\%$

### ELECTRICAL CHARACTERISTICS

Inductance ( $\mu\text{H}$ )	Inductance tolerance	Q min.	Test frequency L, Q(MHz)	Self-resonant frequency (MHz)min.	DC resistance ( $\Omega$ )max.	Rated current (mA)max.	Part No.
0.22	$\pm 10\%$	50	25.2	150	0.15	816	EL0606RA-R22K
0.27	$\pm 10\%$	50	25.2	150	0.15	816	EL0606RA-R27K
0.33	$\pm 10\%$	50	25.2	150	0.15	816	EL0606RA-R33K
0.39	$\pm 10\%$	50	25.2	130	0.15	816	EL0606RA-R39K
0.47	$\pm 10\%$	50	25.2	130	0.15	816	EL0606RA-R47K
0.56	$\pm 10\%$	50	25.2	130	0.2	707	EL0606RA-R56K
0.68	$\pm 10\%$	50	25.2	120	0.2	707	EL0606RA-R68K
0.82	$\pm 10\%$	50	25.2	120	0.2	707	EL0606RA-R82K
1	$\pm 5\%$	50	7.96	100	0.2	707	EL0606RA-1R0J
1.2	$\pm 5\%$	50	7.96	85	0.2	707	EL0606RA-1R2J
1.5	$\pm 5\%$	50	7.96	70	0.22	674	EL0606RA-1R5J
1.8	$\pm 5\%$	50	7.96	60	0.22	674	EL0606RA-1R8J
2.2	$\pm 5\%$	50	7.96	55	0.25	632	EL0606RA-2R2J
2.7	$\pm 5\%$	50	7.96	50	0.27	608	EL0606RA-2R7J
3.3	$\pm 5\%$	50	7.96	45	0.3	577	EL0606RA-3R3J
3.9	$\pm 5\%$	50	7.96	40	0.32	559	EL0606RA-3R9J
4.7	$\pm 5\%$	50	7.96	35	0.35	534	EL0606RA-4R7J
5.6	$\pm 5\%$	50	7.96	33	0.37	519	EL0606RA-5R6J
6.8	$\pm 5\%$	50	7.96	27	0.4	500	EL0606RA-6R8J
8.2	$\pm 5\%$	50	7.96	25	0.45	471	EL0606RA-8R2J
10	$\pm 5\%$	50	2.52	20	0.8	353	EL0606RA-100J
12	$\pm 5\%$	50	2.52	18	0.9	333	EL0606RA-120J
15	$\pm 5\%$	50	2.52	17	1	316	EL0606RA-150J
18	$\pm 5\%$	50	2.52	15	1.2	288	EL0606RA-180J
22	$\pm 5\%$	50	2.52	13	1.4	267	EL0606RA-220J
27	$\pm 5\%$	50	2.52	11	1.7	242	EL0606RA-270J
33	$\pm 5\%$	50	2.52	10.5	2	223	EL0606RA-330J
39	$\pm 5\%$	50	2.52	10	2.4	204	EL0606RA-390J
47	$\pm 5\%$	50	2.52	9.5	2.7	192	EL0606RA-470J
56	$\pm 5\%$	50	2.52	9	2.9	185	EL0606RA-560J



Inductors (Coils)
Fixed
RF-frequency

# RADIAL LEADED INDUCTORS

## EL series

### EL0606 TYPE

#### ELECTRICAL CHARACTERISTICS

Inductance ( $\mu$ H)	Inductance tolerance	Q min.	Test frequency L, Q(MHz)	Self-resonant frequency (MHz)min.	DC resistance ( $\Omega$ )max.	Rated current (mA)max.	Part No.
68	±5%	50	2.52	8.5	3.1	179	EL0606RA-680J
82	±5%	50	2.52	7.5	3.3	174	EL0606RA-820J
100	±5%	45	0.796	6.8	3.3	174	EL0606RA-101J
120	±5%	45	0.796	6.2	3.5	169	EL0606RA-121J
150	±5%	45	0.796	5.7	3.7	164	EL0606RA-151J
180	±5%	45	0.796	5.3	4	158	EL0606RA-181J
220	±5%	45	0.796	4	5.2	138	EL0606RA-221J
270	±5%	45	0.796	3.6	5.8	131	EL0606RA-271J
330	±5%	45	0.796	3.3	6.5	124	EL0606RA-331J
390	±5%	45	0.796	3	7.5	115	EL0606RA-391J
470	±5%	45	0.796	2.8	8	111	EL0606RA-471J
560	±5%	45	0.796	2.4	12.5	89	EL0606RA-561J
680	±5%	45	0.796	2.2	14	84	EL0606RA-681J
820	±5%	45	0.796	2	15.5	80	EL0606RA-821J
1000	±5%	40	0.252	1.8	18.5	73	EL0606RA-102J
1200	±5%	30	0.252	1.7	29	58	EL0606RA-122J
1500	±5%	30	0.252	1.5	34	54	EL0606RA-152J
1800	±5%	30	0.252	1.4	37	51	EL0606RA-182J
2200	±5%	30	0.252	1.2	42	48	EL0606RA-222J



Specifications which provide more details for the proper and safe use of the described product are available upon request.

All specifications are subject to change without notice.

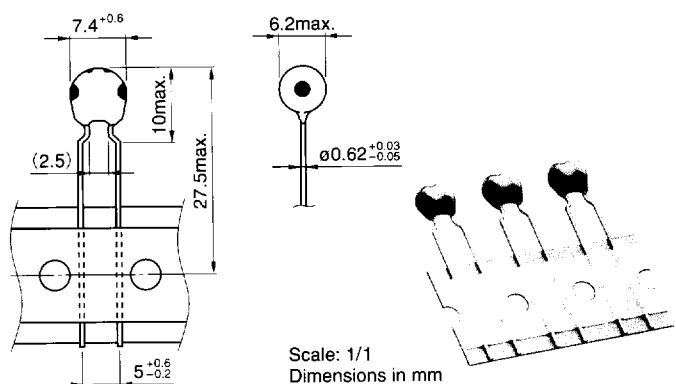
Inductors (Coils)
Fixed
RF-frequency

# RADIAL LEADED INDUCTORS

## EL series

### EL0607 TYPE (Ammo-pack taping style)

#### SHAPES AND DIMENSIONS



#### CHARACTERISTICS

Operating temperature range	-20 to +80°C (including self-temperature rise, 20°C max.)
Dielectric withstand voltage Erms	250V
Rated current	Based on inductance change rate (10% drop in initial value)
Terminal tensile strength	14.7N min.
Moisture resistance characteristics	$\Delta L/L \leq \pm 5\%$ $\Delta Q/Q \leq \pm 25\%$

#### ELECTRICAL CHARACTERISTICS

Inductance ( $\mu\text{H}$ )	Inductance tolerance	Q min.	Test frequency L, Q (MHz)	Self-resonant frequency (MHz) min.	DC resistance ( $\Omega$ ) max.	Rated current (mA) max.	Part No.
10	$\pm 10, \pm 5\%$	20	2.52	17	0.19	780	EL0607RA-100□*
12	$\pm 10, \pm 5\%$	20	2.52	14	0.22	730	EL0607RA-120□
15	$\pm 10, \pm 5\%$	20	2.52	12	0.24	650	EL0607RA-150□
18	$\pm 10, \pm 5\%$	20	2.52	10.5	0.26	610	EL0607RA-180□
22	$\pm 10, \pm 5\%$	20	2.52	10	0.29	540	EL0607RA-220□
27	$\pm 10, \pm 5\%$	20	2.52	9.5	0.32	480	EL0607RA-270□
33	$\pm 10, \pm 5\%$	20	2.52	8.5	0.34	440	EL0607RA-330□
39	$\pm 10, \pm 5\%$	20	2.52	8	0.42	410	EL0607RA-390□
47	$\pm 10, \pm 5\%$	20	2.52	7	0.47	375	EL0607RA-470□
56	$\pm 10, \pm 5\%$	20	2.52	6.8	0.52	340	EL0607RA-560□
68	$\pm 10, \pm 5\%$	15	2.52	6.5	0.58	320	EL0607RA-680□
82	$\pm 10, \pm 5\%$	15	2.52	6.3	0.64	285	EL0607RA-820□
100	$\pm 10, \pm 5\%$	25	0.796	6	0.85	260	EL0607RA-101□
120	$\pm 10, \pm 5\%$	25	0.796	5.4	1	240	EL0607RA-121□
150	$\pm 10, \pm 5\%$	25	0.796	4.75	1.2	215	EL0607RA-151□
180	$\pm 10, \pm 5\%$	30	0.796	4	1.5	195	EL0607RA-181□
220	$\pm 10, \pm 5\%$	30	0.796	3.85	1.65	180	EL0607RA-221□
270	$\pm 10, \pm 5\%$	30	0.796	3.6	2.15	160	EL0607RA-271□
330	$\pm 10, \pm 5\%$	35	0.796	3.3	2.9	145	EL0607RA-331□
390	$\pm 10, \pm 5\%$	35	0.796	3	3.25	135	EL0607RA-391□
470	$\pm 10, \pm 5\%$	35	0.796	2.8	4.05	125	EL0607RA-471□
560	$\pm 10, \pm 5\%$	40	0.796	2.4	4.45	115	EL0607RA-561□
680	$\pm 10, \pm 5\%$	40	0.796	2.2	5.85	105	EL0607RA-681□
820	$\pm 10, \pm 5\%$	40	0.796	2	6.6	90	EL0607RA-821□
1000	$\pm 10, \pm 5\%$	45	0.252	1.8	8.9	85	EL0607RA-102□
1200	$\pm 10, \pm 5\%$	45	0.252	1.7	10.5	75	EL0607RA-122□
1500	$\pm 10, \pm 5\%$	45	0.252	1.5	11.9	70	EL0607RA-152□
1800	$\pm 10, \pm 5\%$	45	0.252	1.3	16.5	60	EL0607RA-182□
2200	$\pm 10, \pm 5\%$	45	0.252	1.2	19	58	EL0607RA-222□
2700	$\pm 10, \pm 5\%$	40	0.252	0.8	32	52	EL0607RA-272□
3300	$\pm 10, \pm 5\%$	40	0.252	0.7	34	48	EL0607RA-332□

\*□: Please specify inductance tolerance, K( $\pm 10\%$ ) or J( $\pm 5\%$ )

6-48

Catalog No. AVE-002

**TDK**  
TDK CORPORATION



Specifications which provide more details for the proper and safe use of the described product are available upon request.

All specifications are subject to change without notice.



Inductors (Coils)
Fixed
RF-frequency

# RADIAL LEADED INDUCTORS

## EL series

### EL0607 TYPE

#### ELECTRICAL CHARACTERISTICS

Inductance ( $\mu$ H)	Inductance tolerance	Q min.	Test frequency L, Q(MHz)	Self-resonant frequency (MHz)min.	DC resistance ( $\Omega$ )max.	Rated current (mA)max.	Part No.
3900	$\pm 10, \pm 5\%$	40	0.252	0.7	38	45	EL0607RA-392□*
4700	$\pm 10, \pm 5\%$	40	0.252	0.6	56	40	EL0607RA-472□
5600	$\pm 10, \pm 5\%$	40	0.252	0.5	63	37	EL0607RA-562□
6800	$\pm 10, \pm 5\%$	40	0.252	0.4	70	34	EL0607RA-682□
8200	$\pm 10, \pm 5\%$	40	0.252	0.4	77	31	EL0607RA-822□
10000	$\pm 10, \pm 5\%$	25	0.0796	0.3	95	28	EL0607RA-103□
12000	$\pm 10, \pm 5\%$	25	0.0796	0.2	110	25	EL0607RA-123□
15000	$\pm 10, \pm 5\%$	20	0.0796	0.1	160	21	EL0607RA-153□

\*□: Please specify inductance tolerance, K( $\pm 10\%$ ) or J( $\pm 5\%$ )



Specifications which provide more details for the proper and safe use of the described product are available upon request.

All specifications are subject to change without notice.

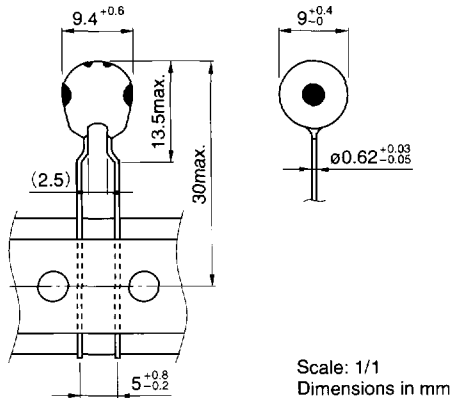
Inductors (Coils)
Fixed
RF-frequency

# RADIAL LEADED INDUCTORS

## EL series

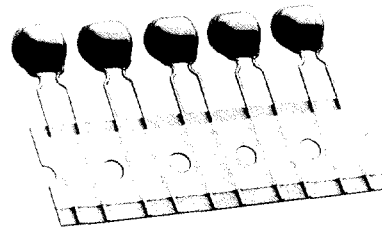
### EL0909 TYPE (Tape and reel style)

#### SHAPES AND DIMENSIONS



#### CHARACTERISTICS

Operating temperature range	-20 to +80°C (including self-temperature rise, 20°C max.)
Dielectric withstand voltage Erms	250V
Rated current	Based on temperature rise
Terminal tensile strength	14.7N min.
Moisture resistance characteristics	$\Delta L/L \leq \pm 5\%$ $\Delta Q/Q \leq \pm 25\%$



#### ELECTRICAL CHARACTERISTICS

Inductance (μH)	Inductance tolerance	Q min.	Test frequency L, Q(MHz)	Self-resonant frequency (MHz)min.	DC resistance (Ω)max.	Rated current (mA)max.	Part No.
100	±10, ±5%	55	796	4.3	0.85	343	EL0909RR-101□*1-2
120	±10, ±5%	55	796	4.1	0.95	324	EL0909RR-121□-2
150	±10, ±5%	55	796	3.7	1.05	309	EL0909RR-151□-2
180	±10, ±5%	55	796	3.3	1.15	295	EL0909RR-181□-2
220	±10, ±5%	50	796	2.3	1.3	277	EL0909RR-221□-2
270	±10, ±5%	50	796	2	1.5	258	EL0909RR-271□-2
330	±10, ±5%	50	796	1.95	1.7	243	EL0909RR-331□-2
390	±10, ±5%	50	796	1.85	1.85	232	EL0909RR-391□-2
470	±10, ±5%	50	796	1.57	2.3	209	EL0909RR-471□-2
560	±10, ±5%	45	796	1.5	2.55	198	EL0909RR-561□-2
680	±10, ±5%	40	796	1.4	2.85	187	EL0909RR-681□-2
820	±10, ±5%	35	796	1.32	3.1	180	EL0909RR-821□-2
1000	±10, ±5%	60	252	1.25	4.1	156	EL0909RR-102□-2
1200	±10, ±5%	60	252	1.2	4.7	146	EL0909RR-122□-2
1500	±10, ±5%	60	252	1	5.8	131	EL0909RR-152□-2
1800	±10, ±5%	60	252	0.95	7.4	116	EL0909RR-182□-2
2200	±10, ±5%	65	252	0.9	8.4	109	EL0909RR-222□-2
2700	±10, ±5%	65	252	0.84	11.2	94	EL0909RR-272□-2
3300	±10, ±5%	65	252	0.75	14.7	82	EL0909RR-332□-2
3900	±10, ±5%	65	252	0.67	19.5	72	EL0909RR-392□-2
4700	±10, ±5%	65	252	0.62	21.5	68	EL0909RR-472□-2
5600	±10, ±5%	60	252	0.57	24.5	64	EL0909RR-562□-2
6800	±10, ±5%	60	252	0.47	32.5	55	EL0909RR-682□-2
8200	±10, ±5%	55	252	0.43	38	51	EL0909RR-822□-2
10000	±10, ±5%	50	1*2/79.6*3	0.38	43	48	EL0909RR-103□-2
12000	±10, ±5%	50	1/79.6	0.37	62	40	EL0909RR-123□-2
15000	±10, ±5%	50	1/79.6	0.33	74	37	EL0909RR-153□-2

\*1□: Please specify inductance tolerance, K(±10%) or J(±5%)

\*2for L

\*3for Q



Inductors (Coils)
Fixed
RF-frequency

# RADIAL LEADED INDUCTORS

## EL series

### EL0909 TYPE

#### ELECTRICAL CHARACTERISTICS

Inductance ( $\mu$ H)	Inductance tolerance	Q min.	Test frequency L, Q(MHz)	Self-resonant frequency (MHz)min.	DC resistance ( $\Omega$ )min./max.	Rated current (mA)max.	Part No.
18000	$\pm 10, \pm 5\%$	50	1*2/79.6*3	0.29	103	31	EL0909RR-183□*1-2
22000	$\pm 10, \pm 5\%$	50	1/79.6	0.26	118	29	EL0909RR-223□-2
27000	$\pm 10, \pm 5\%$	50	1/79.6	0.25	131	28	EL0909RR-273□-2
33000	$\pm 10, \pm 5\%$	50	1/79.6	0.25	185	23	EL0909RR-333□-2
39000	$\pm 10, \pm 5\%$	40	1/79.6	0.23	205	22	EL0909RR-393□-2
47000	$\pm 10, \pm 5\%$	35	1/79.6	0.21	260	20	EL0909RR-473□-2
56000	$\pm 10, \pm 5\%$	35	1/79.6	0.2	295	18	EL0909RR-563□-2

\*1□: Please specify inductance tolerance, K( $\pm 10\%$ ) or J( $\pm 5\%$ )

\*2for L

\*3for Q



Specifications which provide more details for the proper and safe use of the described product are available upon request.

All specifications are subject to change without notice.