

## CTSPT-H

From 2.8  $\mu\text{H}$  to 18  $\mu\text{H}$



### CHARACTERISTICS

**Description:** Surface mount high current toroidal inductor.

**Applications:** For use in DC/DC converters, notebooks, computers, and mobile appliances. Boost and buck switcher. Designed for SMD pick and place mounting and reflow soldering.

**Operating Temperature:** -40°C to +130°C

**Testing:** Tested on an HP4284A at 100 kHz 0.1 Vrms

**Electrical Specification:** @ 25°C

**Temperature Rise:** 55°C typical at  $I_{dc}$  and 25°C ambient temperature.

**Miscellaneous:** Meets UL94V-0. Operating frequency up to 1 MHz.

**Additional Information:** Additional electrical & physical information available upon request

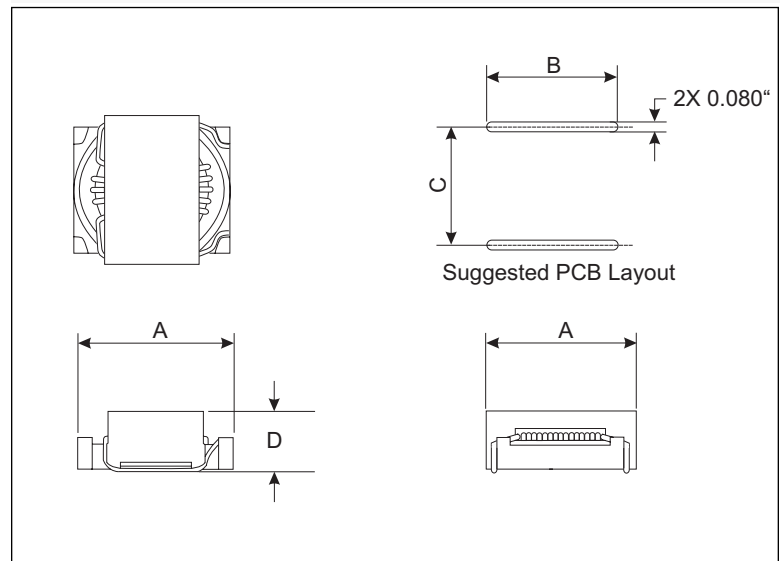
**Samples available. See website for ordering information.**

### SPECIFICATIONS

Part Number	Inductance (no DC) $\pm 20\%$ . ( $\mu\text{H}$ )	Current DC (Amp.)	Inductance (w/ DC) Typ. ( $\mu\text{H}$ )	DCR Max. ( $\Omega$ )	Size Code
CTSPT44H-282M	2.8	13.9	1.68	0.0036	R
CTSPT44H-422M	4.2	11.4	2.5	0.0054	R
CTSPT68H-113M	11	15.4	5.2	0.0062	S
CTSPT68H-183M	18	10.9	9.4	0.0123	S

### PHYSICAL DIMENSIONS (inch)

Size Code	A Max.	B Max.	C Max.	D Max.
R	0.665	0.490 $\pm$ 0.005	0.570 $\pm$ 0.005	0.400
S	0.940	0.700 $\pm$ 0.005	0.830 $\pm$ 0.005	0.400



01.12.05