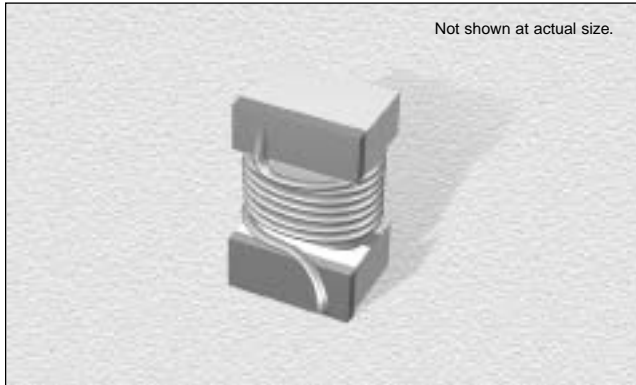


CT1008HS Series

From 10 nH to 1,000 nH



CHARACTERISTICS

Description: SMD ceramic core wire-wound chip inductor

Applications: LC resonant circuits such as oscillator and signal generators, impedance matching, circuit isolation, RF filters, disk drives and computer peripherals, audio and video equipment, TV, radio and telecommunication equipment

Operating Temperature: -40°C to +125°C

Inductance Tolerance: ±2%, ±5%, ±10%, ±20%

Testing: Inductance and Q are tested on an HP4286A or HP4287A at specified frequency

Packaging: Tape & Reel

Marking: Reels are marked with inductance code and tolerance

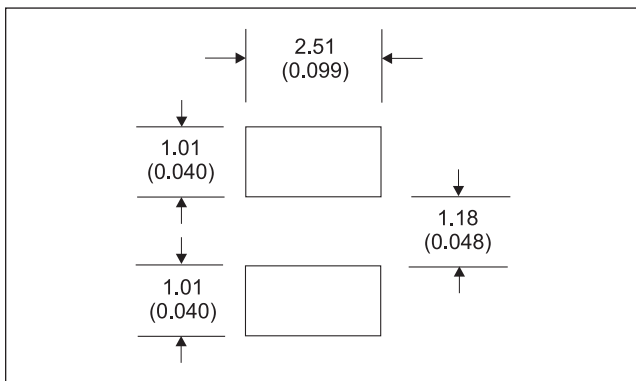
Coated: Epoxy resin on top of the part to permanently set the coil

Miscellaneous: Parts are also available with a clear plastic cap. Other values available

Additional Information: Additional electrical & physical information available upon request

Samples available. See website for ordering information.

PAD LAYOUT



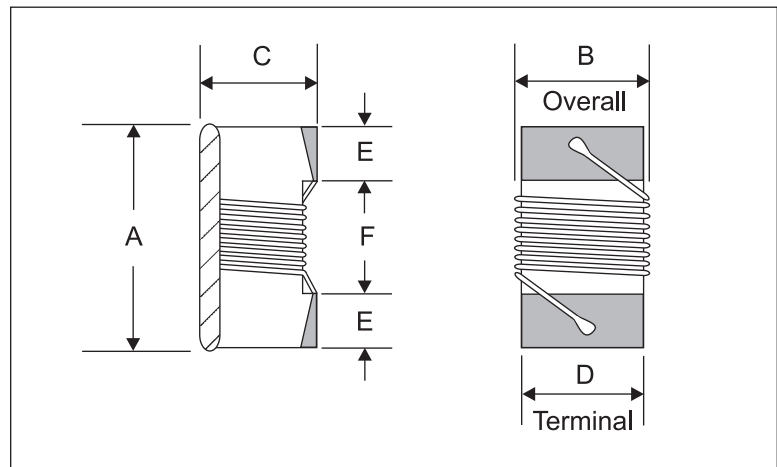
SPECIFICATIONS

Please specify tolerance code when ordering.
 CT1008HS-330_ ← G = ±2%, J = ±5%, K = ±10%, M = ±20%
 * M also (all other values are G, J, K only)

Part Number	Inductance (nH)	L Test Freq. (MHz)	Q Fact. Min.	Q Test Freq. (MHz)	SRF Min. (MHz)	DCR Max. (Ω)	Rated DC (mA)
CT1008HS-100_*	10	50	60	500	4100	.05	1000
CT1008HS-120_*	12	50	60	500	3300	.09	1000
CT1008HS-150_*	15	50	60	500	2500	.13	1000
CT1008HS-180_*	18	50	60	350	2500	.08	1000
CT1008HS-220_*	22	50	60	350	2400	.13	1000
CT1008HS-270_*	27	50	65	350	1600	.12	1000
CT1008HS-330_*	33	50	65	350	1600	.14	1000
CT1008HS-390_*	39	50	65	350	1500	.15	1000
CT1008HS-470_*	47	50	68	350	1500	.16	1000
CT1008HS-560_*	56	50	68	350	1300	.18	1000
CT1008HS-680_*	68	50	68	350	1300	.21	1000
CT1008HS-820_*	82	50	68	350	1200	.22	1000
CT1008HS-101_*	100	25	62	350	1000	.35	750
CT1008HS-121_*	120	25	62	350	950	.38	750
CT1008HS-151_*	150	25	46	100	850	.40	750
CT1008HS-181_*	180	25	48	100	750	.42	750
CT1008HS-221_*	220	25	48	100	700	.54	600
CT1008HS-271_*	270	25	48	100	600	.50	600
CT1008HS-331_*	330	25	48	100	570	.70	550
CT1008HS-391_*	390	25	48	100	500	.72	550
CT1008HS-471_*	470	25	48	100	450	.95	520
CT1008HS-561_*	560	25	48	100	415	1.2	420
CT1008HS-621_*	620	25	48	100	375	1.3	320
CT1008HS-681_*	680	25	48	100	375	1.4	400
CT1008HS-751_*	750	25	48	100	360	1.5	370
CT1008HS-821_*	820	25	48	100	350	1.5	400
CT1008HS-911_*	910	25	48	50	330	2.0	350
CT1008HS-102_*	1000	25	44	50	310	2.1	340

PHYSICAL DIMENSIONS

Size	A Max.	B Max.	C Max.	D	E	F
mm	2.55	2.38	2.1	2	0.5	1.43
inches	0.1	0.09	0.08	0.08	0.02	0.06



12.14.01



Manufacturer of Inductors, Chokes, Coils, Beads, Transformers & Toroids

800-684-5322 Inside US 949-453-1811 Outside US

Copyright © 2003 by CT Magnetics, DBA Central Technologies. All rights reserved.

CT Magnetics reserves the right to make improvements or change specifications without notice