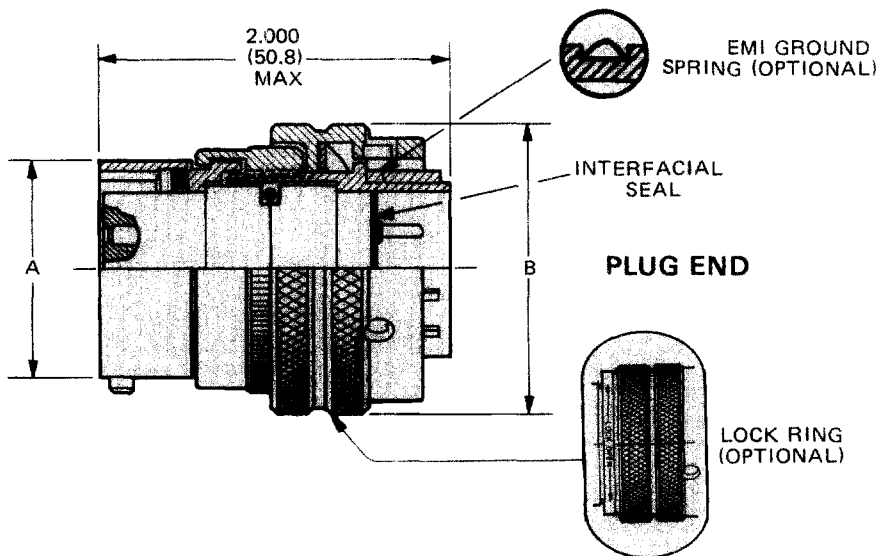


INTERMATEABLE WITH
 PAN 6433-2
 PATT 615
 NFC C93-422 (HE306)
 VG 96912

RECEPTACLE END



941L008M16G35PA*

Series No. _____
 Class _____
 1 = Environmental
 2 = Hi Rel
 L = Lock Ring (Opt)
 - = Standard
 Basic Part No. _____
 Finish Symbol _____
 (See Page 5)

Modification Code _____
 Alternate Position
 A,B,C,D - (N = Normal)
 P = Pins, Plug Side
 S = Sockets, Plug Side
 Insert Arrangement _____
 G = EMI Ground Spring (Opt)
 - = Standard
 Shell Size _____

*Add Modification Code 131 for dry lubricant on inside surfaces of coupling nut.

SHELL SIZE	A MAX	B MAX
08	.474 (12.0)	.750 (19.1)
10	.591 (15.0)	.859 (21.8)
12	.751 (19.1)	1.031 (26.2)
14	.876 (22.3)	1.156 (29.4)
16	1.001 (25.4)	1.281 (32.5)
18	1.126 (28.6)	1.406 (35.7)
20	1.251 (31.8)	1.531 (38.9)
22	1.376 (35.0)	1.641 (41.7)
24	1.501 (38.1)	1.766 (44.9)

Metric dimensions (mm) are indicated in parentheses

© 1995 Glenair, Inc.

Printed in U.S.A.

INSERT ARRANGEMENTS

SHELL SIZE DESIG.	INSERT ARRANGEMENT DASH NO.	CONTACT SIZE: QUANTITY				ALTERNATE KEYWAY POSITIONS				
		22	20	16	12	N°	A°	B°	C°	D°
08	8-35	6				95°	—	—	—	—
	8-44	4								
	8-98		3							
10	10-5		5			95°	81°	67°	123°	109°
	10-35	13								
	10-98		6							
12	12-4			4		95°	75°	63°	127°	115°
	12-8		8							
	12-35	22								
	12-98		10							
14	14-5			5		95°	74°	61°	129°	116°
	14-15		14	1						
	14-18		18							
	14-19		19							
	14-35	37								
14-97		8	4							
16	16-6				6	95°	77°	65°	125°	113°
	16-8			8						
	16-26		26							
	16-35	55								
16-99		21	2							
18	18-11			11		95°	77°	65°	125°	113°
	18-32		32							
	18-35	66								
20	20-35	79				95°	77°	65°	125°	113°
	20-11			11						
	20-16			16						
	20-39		37	2						
20-41		41								
22	22-35	100				95°	80°	69°	121°	110°
	22-2	85								
	22-21			21						
	22-53		53							
24	24-35	128				95°	80°	69°	121°	110°
	24-2	100								
	24-19			19						
	24-29			29						
24-61		61								

